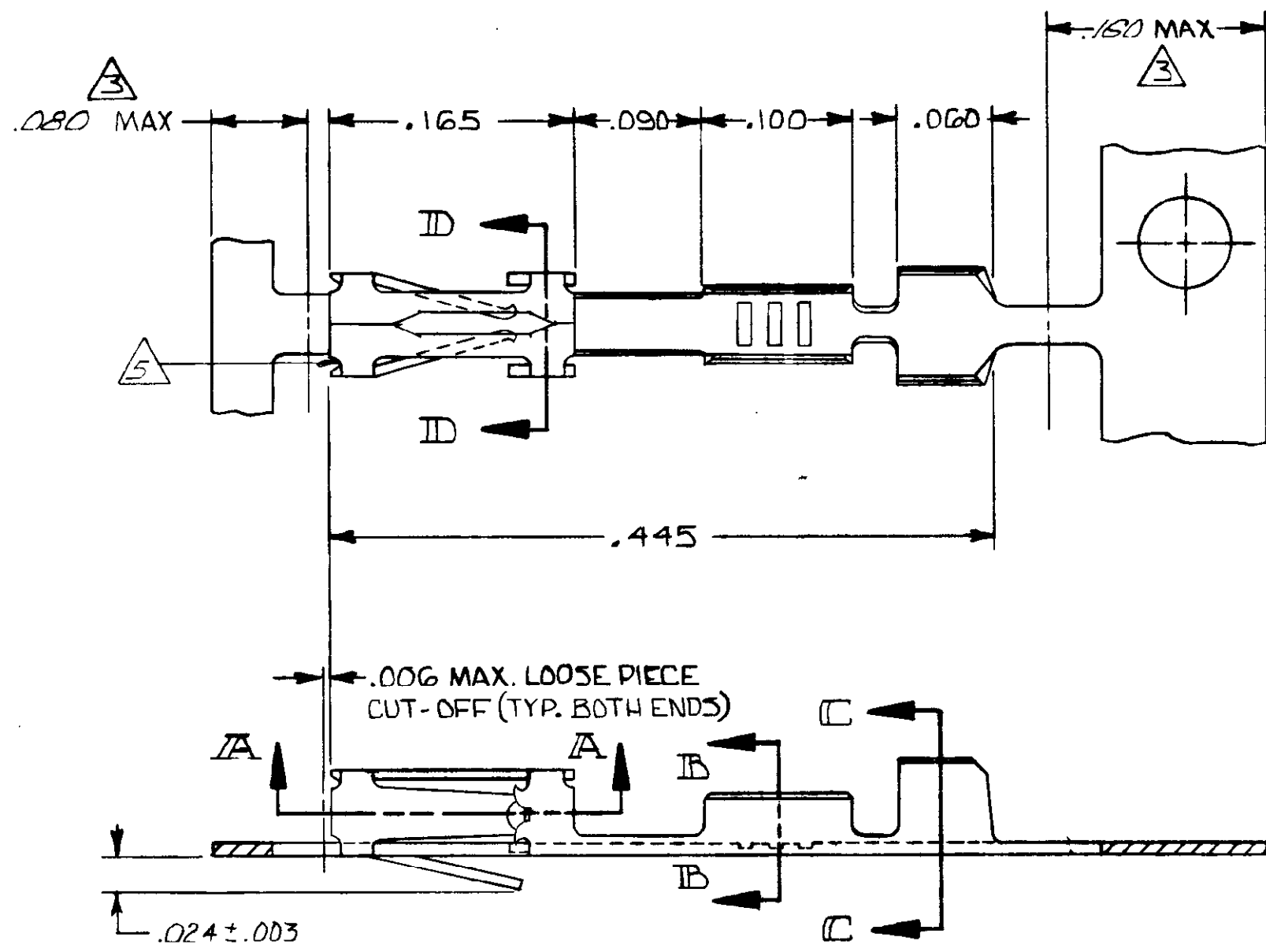
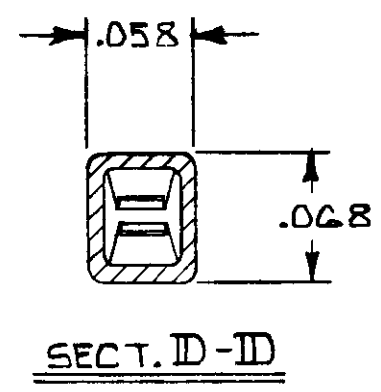
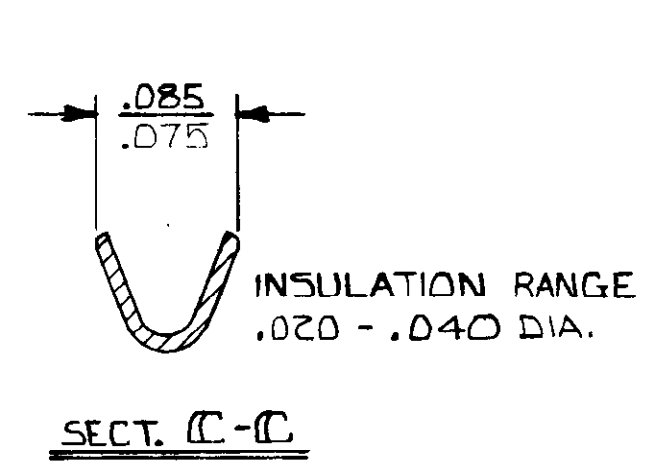
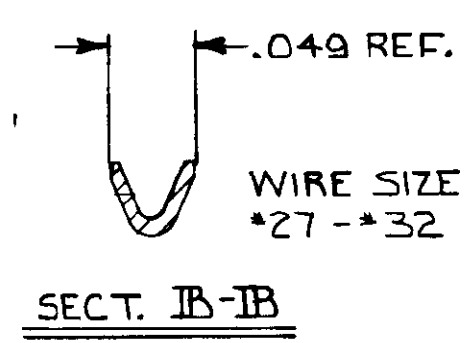
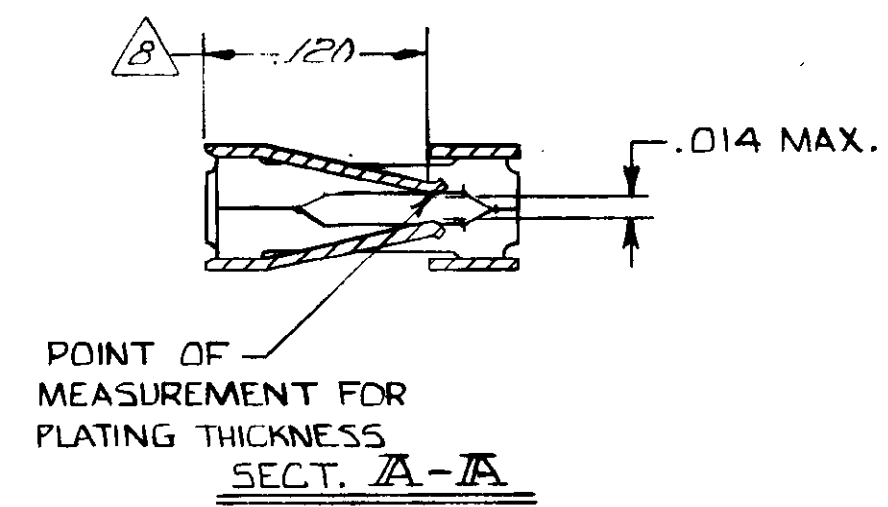


THIS DRAWING IS UNPUBLISHED. RELEASED FOR PUBLICATION  
 (C) COPYRIGHT ALL RIGHTS RESERVED.

REVISIONS							
P	F	ZONE	LTR	DESCRIPTION	DATE	DWN	APPROVED
			N	REVISED PER ECO-15-004633	30MAY2015	NK	JO



- 1 .00030 GOLD ON CONTACT AREA, GOLD FLASH ON REMAINDER, OVER .000050 NICKEL.
- 2 .00015 GOLD ON CONTACT AREA, GOLD FLASH ON THE REMAINDER, OVER .000050 NICKEL.
- 3 GOLD PLATING NOT REQUIRED IN THIS AREA.
- 4 .000100-.000200 BRIGHT TIN OVER .000030 NICKEL.
- 5 CUT OUTS ON BOX AT MANUFACTURER'S OPTION.
- 6 .000050 GOLD ON CONTACT AREA, GOLD FLASH ON THE REMAINDER, OVER .000050 NICKEL.
- 7 .000015 GOLD ON CONTACT AREA, .000050 NICKEL OVER THE ENTIRE TERMINAL
- 8 POINT OF MEASUREMENT FOR PLATING THICKNESS (INSIDE BEAMS)
- 9 OBSOLETE PART NUMBER.
- 10 SUPERSEDED BY 102917-2.
- 11 OBSOLETE PARTS: OBSOLETE CIS STREAMLINING PER D.RENAUD/D.SINISI



OBSOLETE	1-9-4	1-102917-3
11 OBSOLETE	1-102917-2	1-102917-1
	102917-6	102917-5
OBSOLETE	102917-4	102917-3
	102917-2	102917-1
LOOSE PIECE PART NO.	FINISH	PART NO

UNLESS OTHERWISE SPECIFIED DIMENSIONS ARE IN INCHES. TOLERANCES ON: DECIMALS ± .005 ANGLES	CONTRACT NO		TE Connectivity CONTACT, FEMALE, MOD IV, CRIMP SNAP-IN	
	DR	R. A. Cook 3/15/82		
MATERIAL CU-NI-SI	CHR	R. A. Cook 3/15/82	NAME	
	APPD	R. A. Cook 3/15/82		
FINISH SEE TABLE	APPD	M. Y. [unclear] 3/26/82	SIZE	C
	DSGN APPD		FSCM NO	00779
	OTHER APPD		DRAWING NO	102917
			REV	N
			SCALE	
			SHEET	1 OF 1

CUSTOMER DRAWING

102917