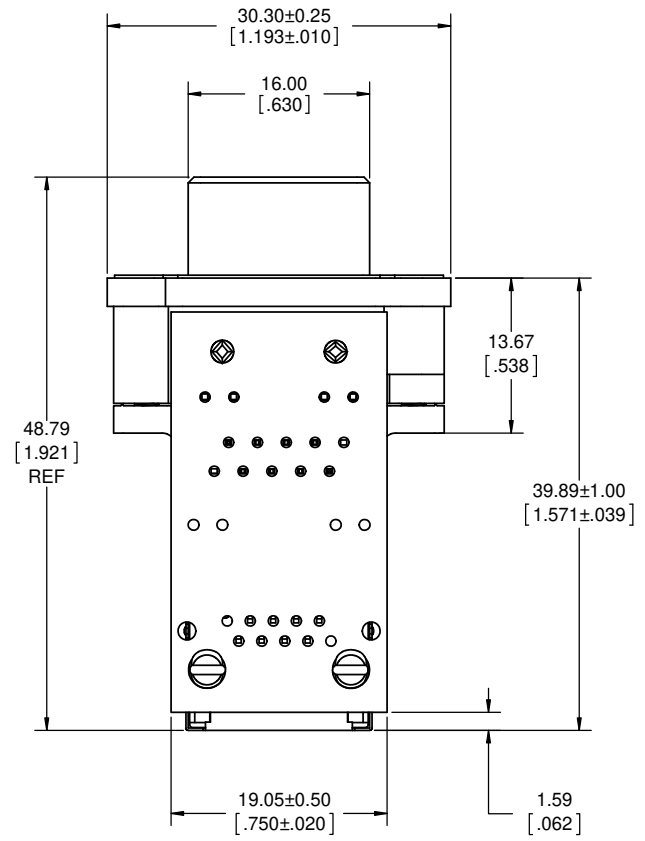
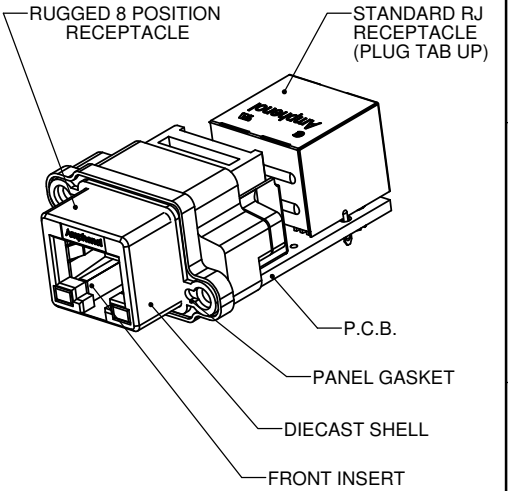
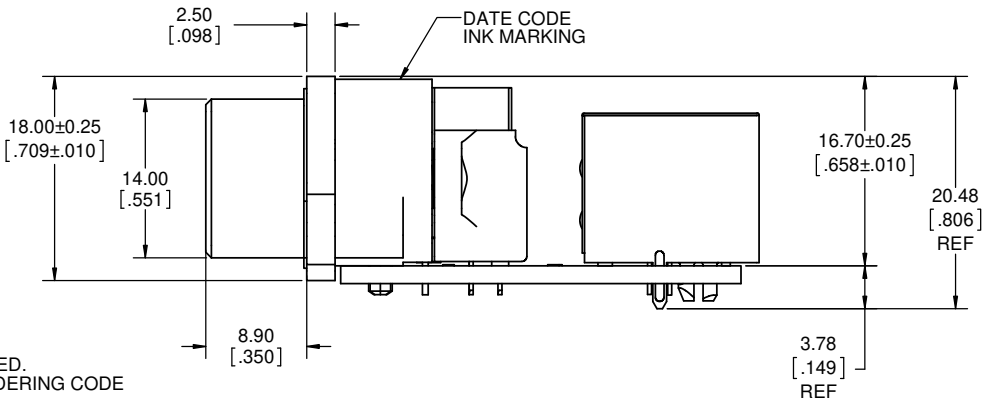
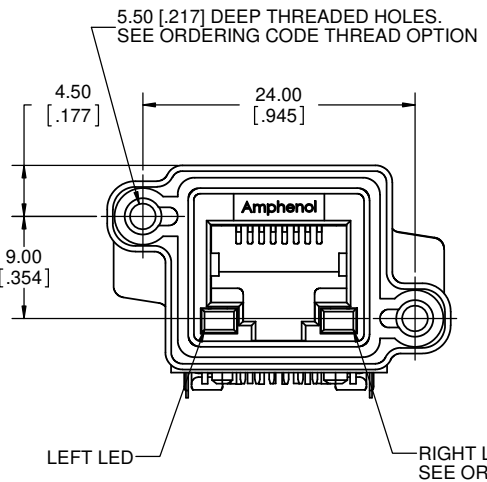


REVISIONS			
REV	DESCRIPTION, ECN, EAR NO.	DATE	APP'D
B	PRODUCT DRAWING (EAR 14296)	JUL24/14	K.L.
C	PRODUCT DRAWING (EAR 14379)	JUN29/15	K.L.



ORDERING CODE: MRJR-578X-X1

- SERIES, RUGGED RJ
- RECEPTACLE, RIGHT ANGLE, ON PCB WITH STANDARD RJ, 8 CONTACTS
- LED OPTION:
 - 0 = NONE
 - 1 = LEFT GREEN, RIGHT YELLOW
 - 4 = LEFT YELLOW, RIGHT GREEN
 - 5 = LEFT GREEN, RIGHT GREEN
- MOUNTING HOLE THREAD OPTION:
 - 0 = #4-40 UNC THREAD
 - M = M3 X 0.5 THREAD
- SINGLE PORT

NOTES:

1. MATERIAL: ALL MATERIALS ARE RoHS COMPLIANT PER EU DIRECTIVE 2011/65/EU AND AMENDMENTS
 - SHELL - DIECAST ZINC, NICKEL PLATED
 - CONTACTS - PHOSPHOR BRONZE WITH 1.27µm [50µ"] GOLD OVER 1.27µm [50µ"] MINIMUM NICKEL ON THE MATING AREA AND MATTE TIN OVER NICKEL ON THE CONTACT TAILS.
 - INSERTS - ENGINEERING THERMOPLASTIC, UL94V-0 FLAMMABILITY RATING,
 - REAR INSERTS: BLACK NYLON, FRONT INSERT: CLEAR POLYCARBONATE
 - PANEL GASKET - CONDUCTIVE SILICONE RUBBER, BLACK
 - LED'S - EPOXY LENS, STEEL TAILS WITH TIN PLATING
 - PCB - FR-4 FIBERGLASS, LEAD FREE, UL94V-0 FLAMMABILITY RATING.
 - STANDARD RJ RECEPTACLE: AMPHENOL P/N RJHSE-5F80, PHOSPHOR BRONZE CONTACTS WITH 1.27µm [50µ"], GOLD OVER NICKEL ON MATING AREA, BLACK NYLON INSERT AND COPPER ALLOY SHIELD WITH NICKEL PLATING
2. ENVIRONMENTAL PERFORMANCE PER IEC 60529 CODE IP67 FOR SEAL BETWEEN MATING AREA AND PCB SIDE OF CONNECTOR. GASKET PROVIDES SEAL TO INSIDE FACE OF PANEL.
3. CURRENT RATING: 1.5 AMPERES
4. CONTACT RESISTANCE: 80 MILLIOHMS MAXIMUM (SUBJECT TO VERIFICATION)
5. OPERATING TEMPERATURE: -40C TO +105C
6. LED CHARACTERISTICS: FORWARD DC CURRENT 25 mA MAX, FORWARD VOLTAGE 2.5V MAX. @ 2 mA
7. AVAILABLE MATING AREA COVERS PROVIDE ADDED PROTECTION. CONSULT WITH AMPHENOL CANADA FOR DETAILS.
8. CUSTOMER TO VERIFY THAT ALL PROCESS CLEANERS ARE COMPATIBLE WITH POLYCARBONATE MATERIAL.

SPECIAL CONNECTORS
 MANY UNIQUE FEATURES ARE READILY AVAILABLE TO SUIT CUSTOMER REQUIREMENTS. CONSULT WITH AMPHENOL CANADA FOR DETAILS.



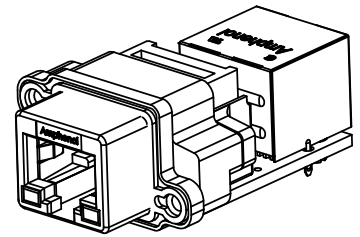
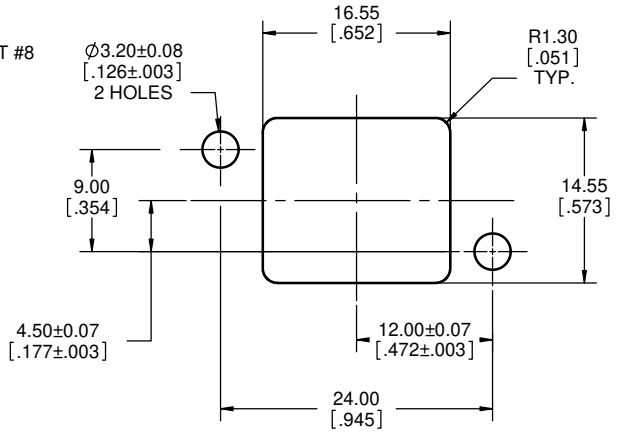
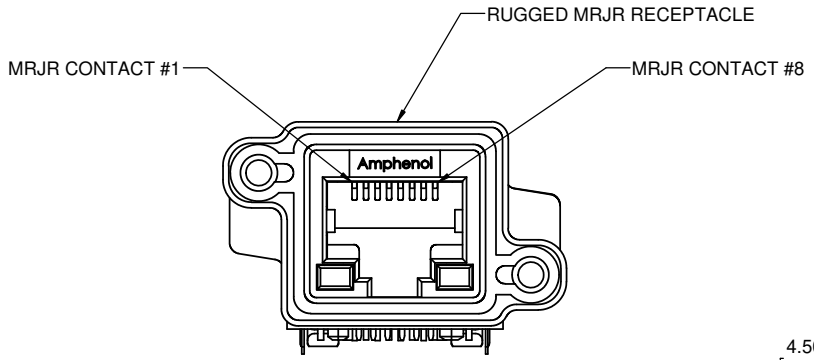
UNLESS SPECIFIED OTHERWISE	DRAWN	D.WENG	JAN04/13
PRIMARY UNITS MILLIMETERS	CHECKED		
SECONDARY UNITS INCHES	M.E. APP'D		
REFERENCE IN PARENTHESES	Q.A. APP'D		
GENERAL TOLERANCES	DWG APPR.	K.LAMBIE	JAN07/13
1 DECIMAL PLACE	ENG. REL. NO.	EAR 14150	
2 DECIMAL PLACES ±0.15	REF.		
3 DECIMAL PLACES	THIRD ANGLE PROJECTION		
ANGULAR DEGREES	DO NOT SCALE DRAWING		

Amphenol Canada Corp.
 www.amphenolcanada.com
MRJR SERIES RUGGED MODULAR JACK, RIGHT ANGLE, ON PCB WITH STANDARD RJ, 8 CONTACTS, LED & THREAD OPTIONS, ROHS COMPLIANT

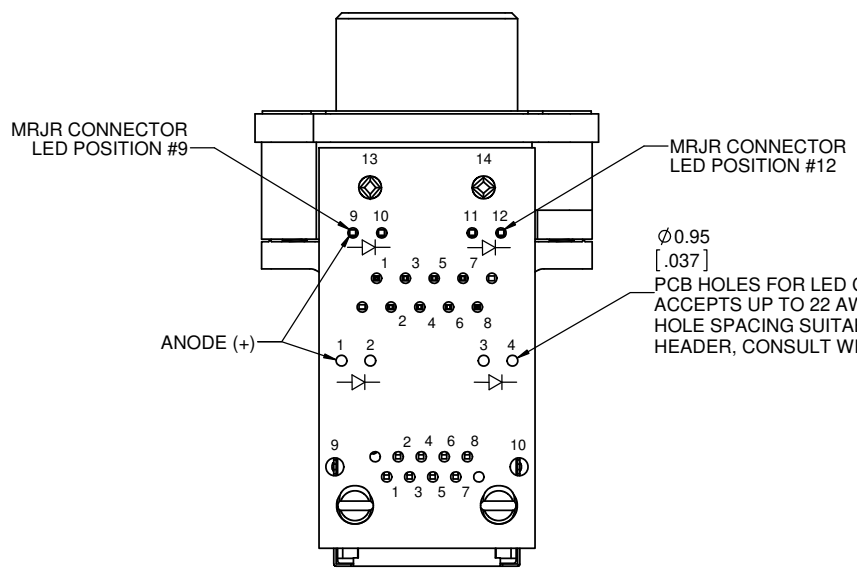
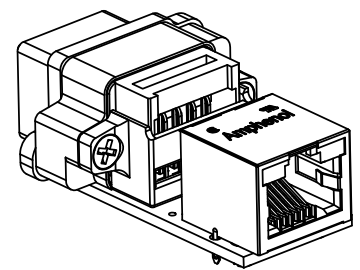
DWG. NO. **P-MRJR-578X-1** REV **C**

CODE ID NO. 03554 DWG SIZE: X SCALE: 3:1 SHEET 1 OF 2

REVISIONS			
REV	DESCRIPTION, ECN, EAR NO.	DATE	APP'D
B	PRODUCT DRAWING (EAR 14296)	JUL24/14	K.L.
C	PRODUCT DRAWING (EAR 14379)	JUN29/15	K.L.

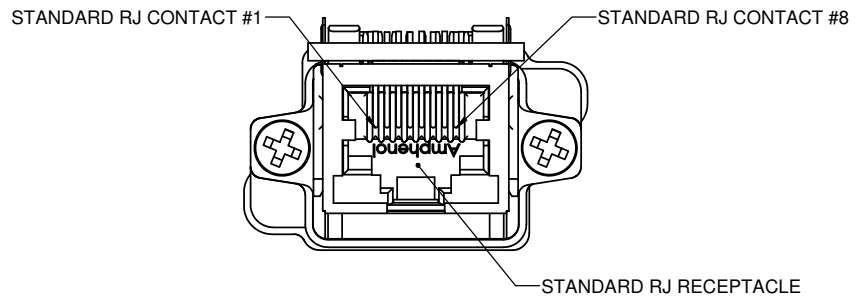


**RECOMMENDED PANEL CUTOUT
OUTSIDE PANEL VIEW**



RUGGED MRJR TO STANDARD RJ CONNECTIONS

MRJR CONTACT	STANDARD RJ CONTACT
1	1
2	2
3	3
4	4
5	5
6	6
7	7
8	8
MRJR GROUND	RJ GROUND
13 & 14	9 & 10
MRJR LED	PCB HOLE
9	1
10	2
11	3
12	4



UNLESS SPECIFIED OTHERWISE	DRAWN	D.WENG	JAN04/13
PRIMARY UNITS MILLIMETERS	CHECKED		
SECONDARY UNITS INCHES	M.E. APP'D		
REFERENCE IN PARENTHESES	Q.A. APP'D		
GENERAL TOLERANCES	DWG APPR.	K.LAMBIE	JAN07/13
1 DECIMAL PLACE	ENG. REL. NO.	EAR 14150	
2 DECIMAL PLACES ±0.15	REF.		
3 DECIMAL PLACES	THIRD ANGLE PROJECTION		
ANGULAR DEGREES	DO NOT SCALE DRAWING		

Amphenol Canada Corp.
www.amphenolcanada.com

MRJR SERIES RUGGED MODULAR JACK, RIGHT ANGLE, ON PCB WITH STANDARD RJ, 8 CONTACTS, LED & THREAD OPTIONS, ROHS COMPLIANT

DWG. NO. **P-MRJR-578X-X1** REV **C**

CODE ID NO. 03554 DWG SIZE: X SCALE: 3:1 SHEET 2 OF 2