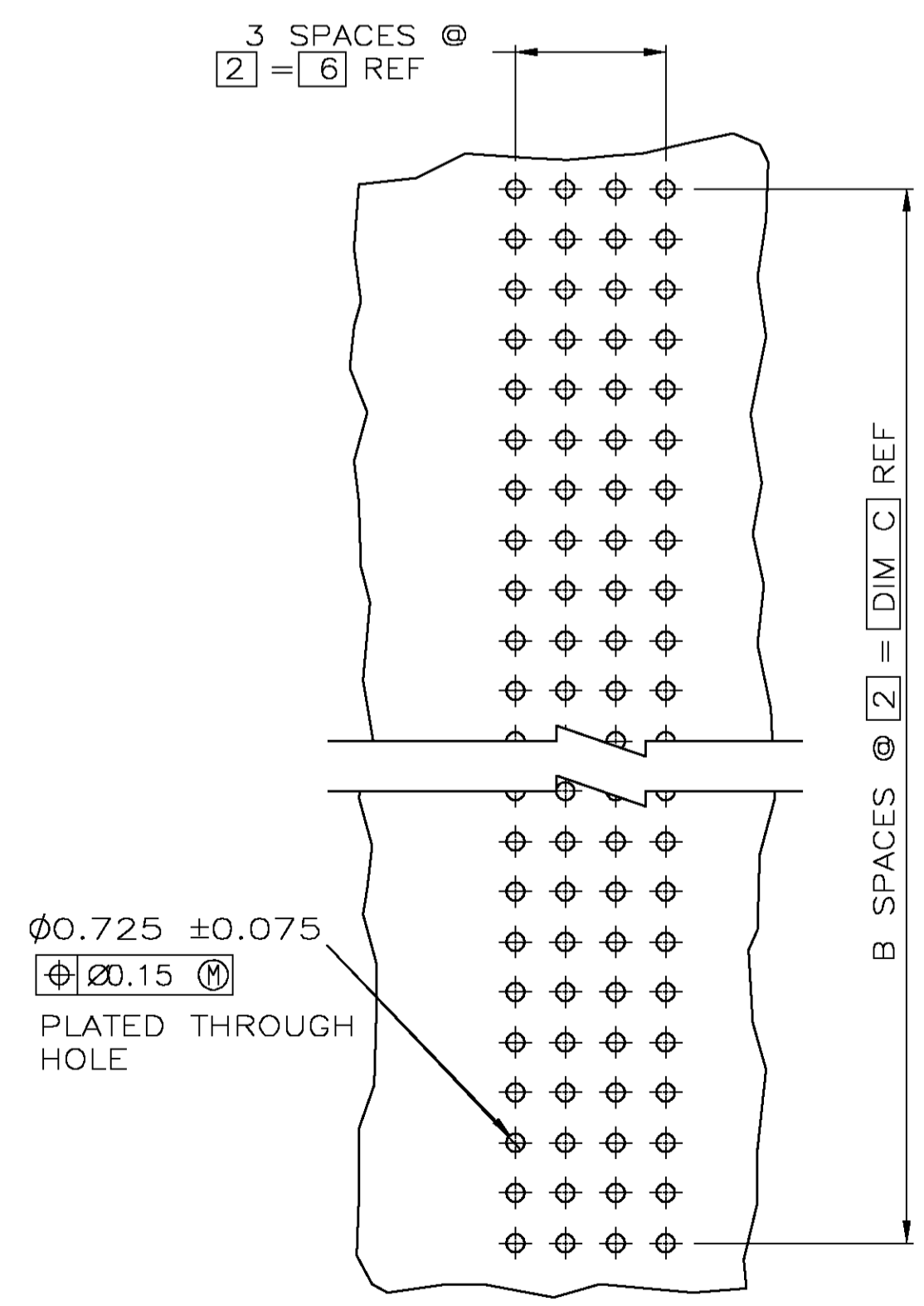
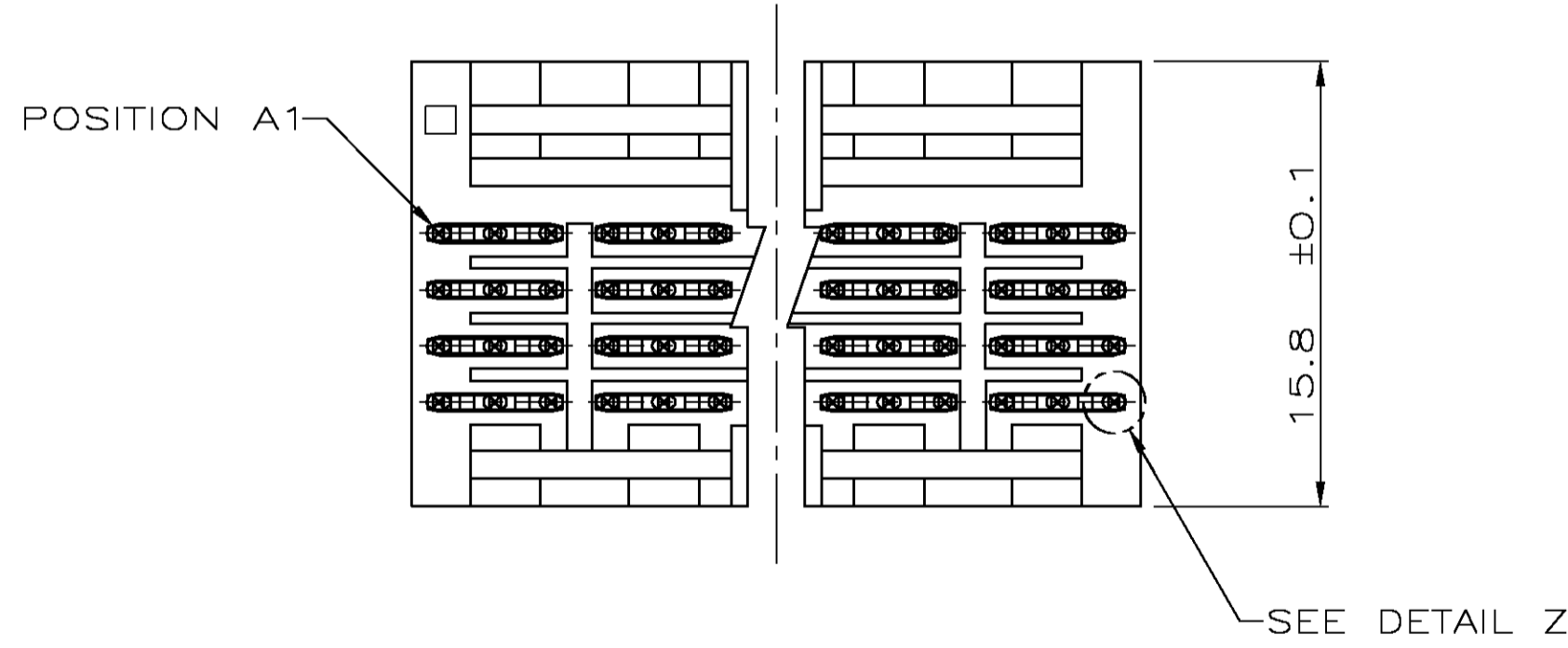
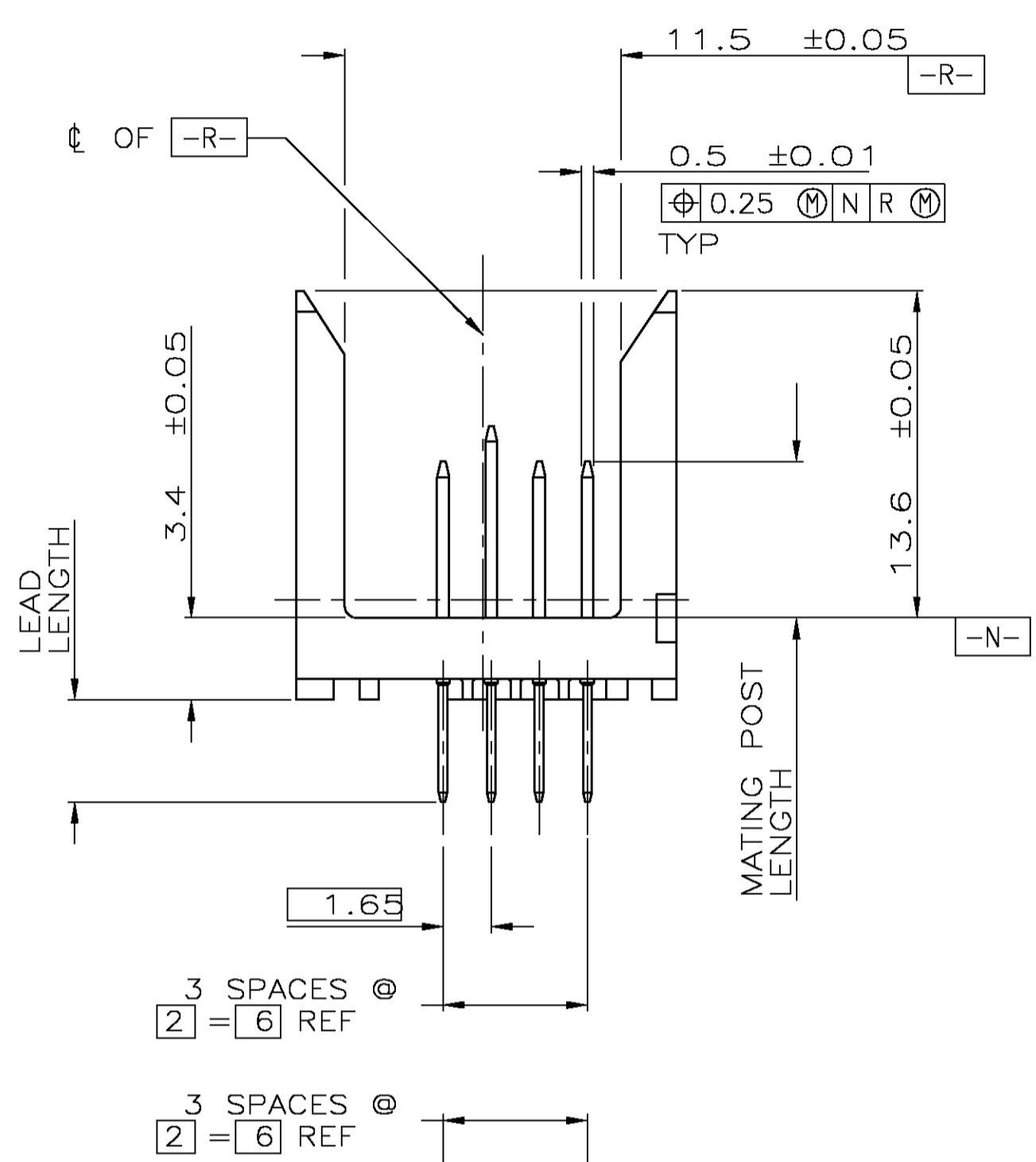
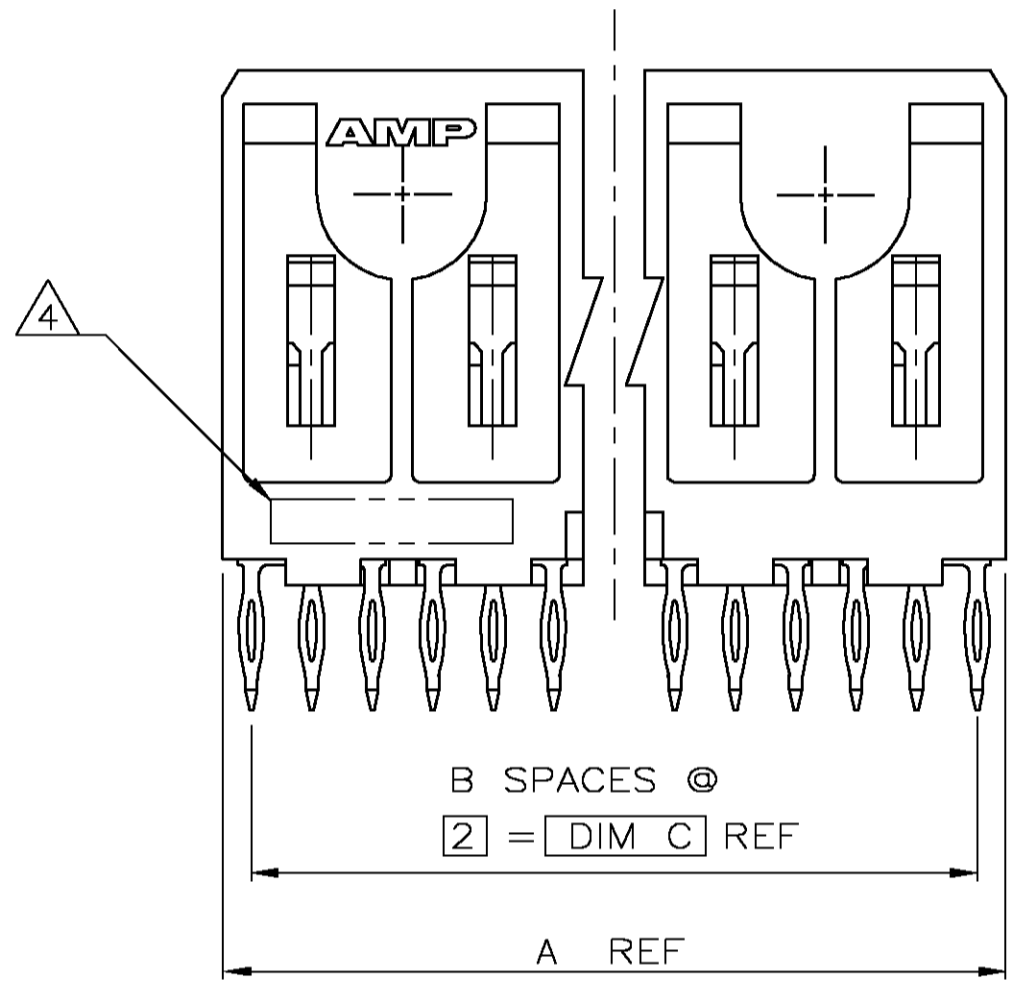
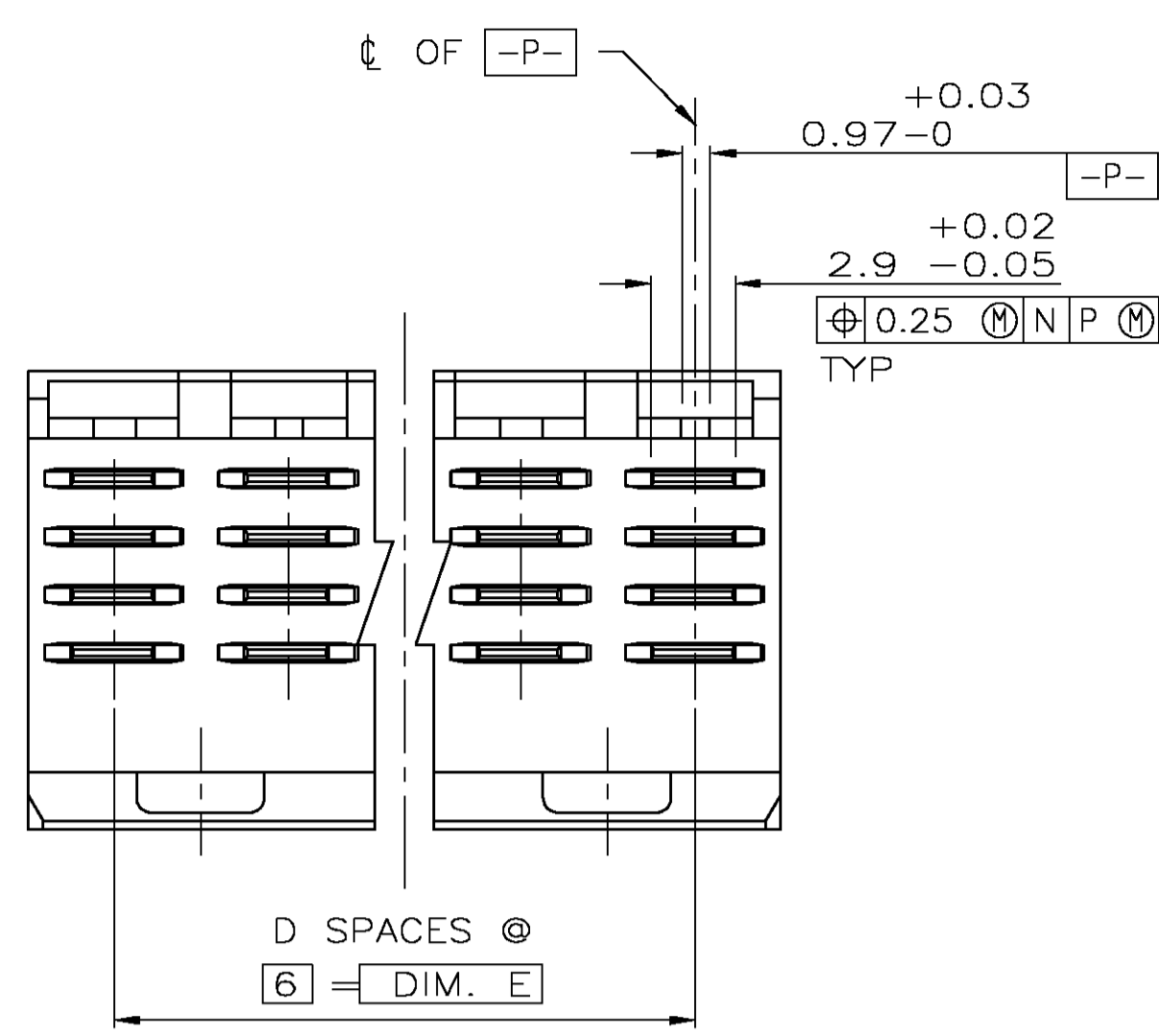


LOC		DIST		REVISIONS			
P	LTR	DATE	DMN	APVD			
0		RELEASED PER EC 0512-0235-04	04OCT04	BM	RW		



- △ HOUSING MATERIAL: LIQUID CRYSTAL POLYMER PER ASTM D5138 LCP000 G30A 32250, COLOR: NATURAL.
- △ CONTACT MATERIAL: PHOSPHOR BRONZE PER UNS ALLOY NO. C51100, TEMPER: H04.
- △ CONTACT FINISH:(D)
 UNDERPLATE (ENTIRE CONTACT):
 0.00127 MIN NICKEL PER SAE-AMS-QQ-N-290
 ON MATING SURFACES:
 FLASH GOLD PER ASTM B 488, OVER
 0.00076 MIN PALLADIUM-NICKEL OVER UNDERPLATE, OR
 0.00076 MIN GOLD PER ASTM B 488 OVER UNDERPLATE.
 ON LEADS:
 0.00127 MIN MATTE TIN PER ASTM B 545 OVER UNDERPLATE.
 LUBRICATION (MIN MATING SURFACES):
 SURFACE CONDITIONER AFTER PLATING.
- △ PART MARKING, LOCATED APPROXIMATELY AS SHOWN.

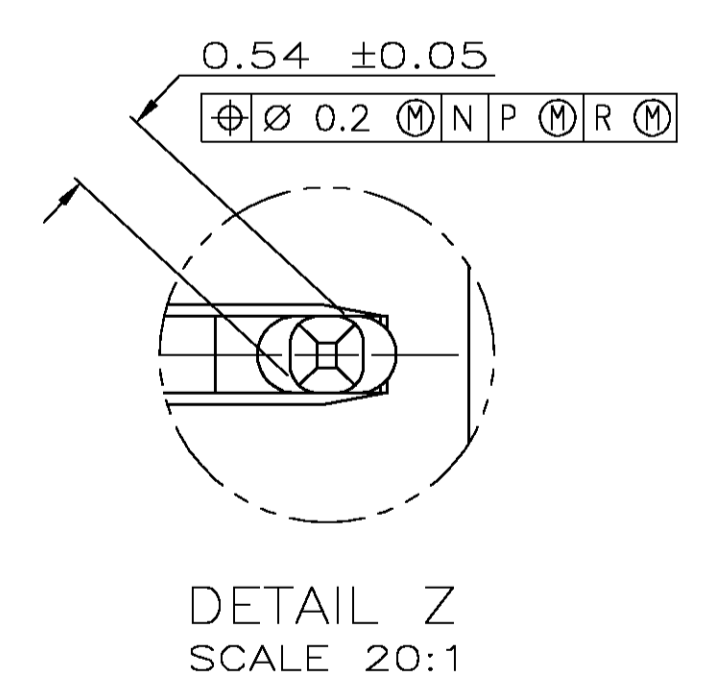
ROW	D	AA	AA	AA	AA
C		AA	AA	AA	AA
B		AC	AC	AC	AC
A		AA	AA	AA	AA

1	2	3	X

POWER POWER

POSITION

CODE LETTER	MATING POST LENGTH ±0.1	LEAD LENGTH (REF)
AA	6.5	4.25
AC	8	4.25



RECOMMENDED CIRCUIT PATTERN
 PER IPC-D300 TYPE II, CLASS C
 (COMPONENT SIDE)

18	3	22	11	23.88	△	16	536606-2
6	1	10	5	11.88	△	8	536606-1
E	D	C	B	A	FINISH	NO OF POWER POSN	PART NUMBER

DIMENSIONS:		TOLERANCES UNLESS OTHERWISE SPECIFIED:		APPROVED:		TYCO ELECTRONICS CORPORATION	
mm	[NCHES]	0 PLC	± -	DIN R BUCHHEISTER	07/DEC/95	Tyco Electronics Corporation Harrisburg, Pa 17105-3608	
		1 PLC	± -	CHK D BAECHTLE	07/DEC/95		
		2 PLC	± 0.13	APPROVED D SINISI	07/DEC/95		
		3 PLC	± -	NAME		ASSEMBLY, PIN, POWER, VERTICAL, Z-PACK 2mm FB, 4 ROW, PRESS FIT LEADS, SEQUENCED BY ROW	
		4 PLC	± -	APPLICATION SPEC		RESTRICTED TO	
		ANGLES	± -	SIZE		SCALE 4:1 SHEET 1 OF 1 REV 0	
MATERIAL		FINISH		WEIGHT		CUSTOMER DRAWING	
△ 1 △ 2 △ 3		△ 3		A1 00779 C=5536606			