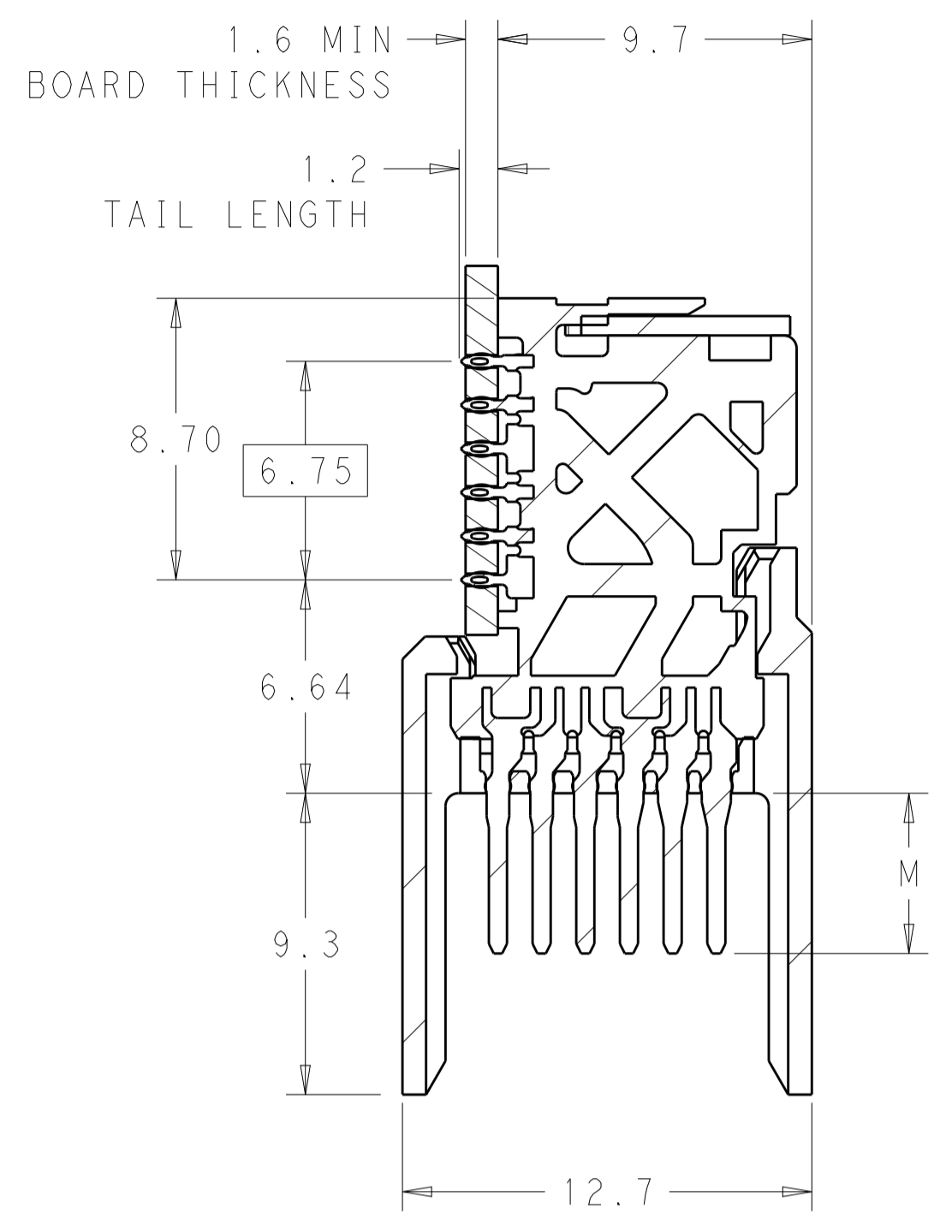
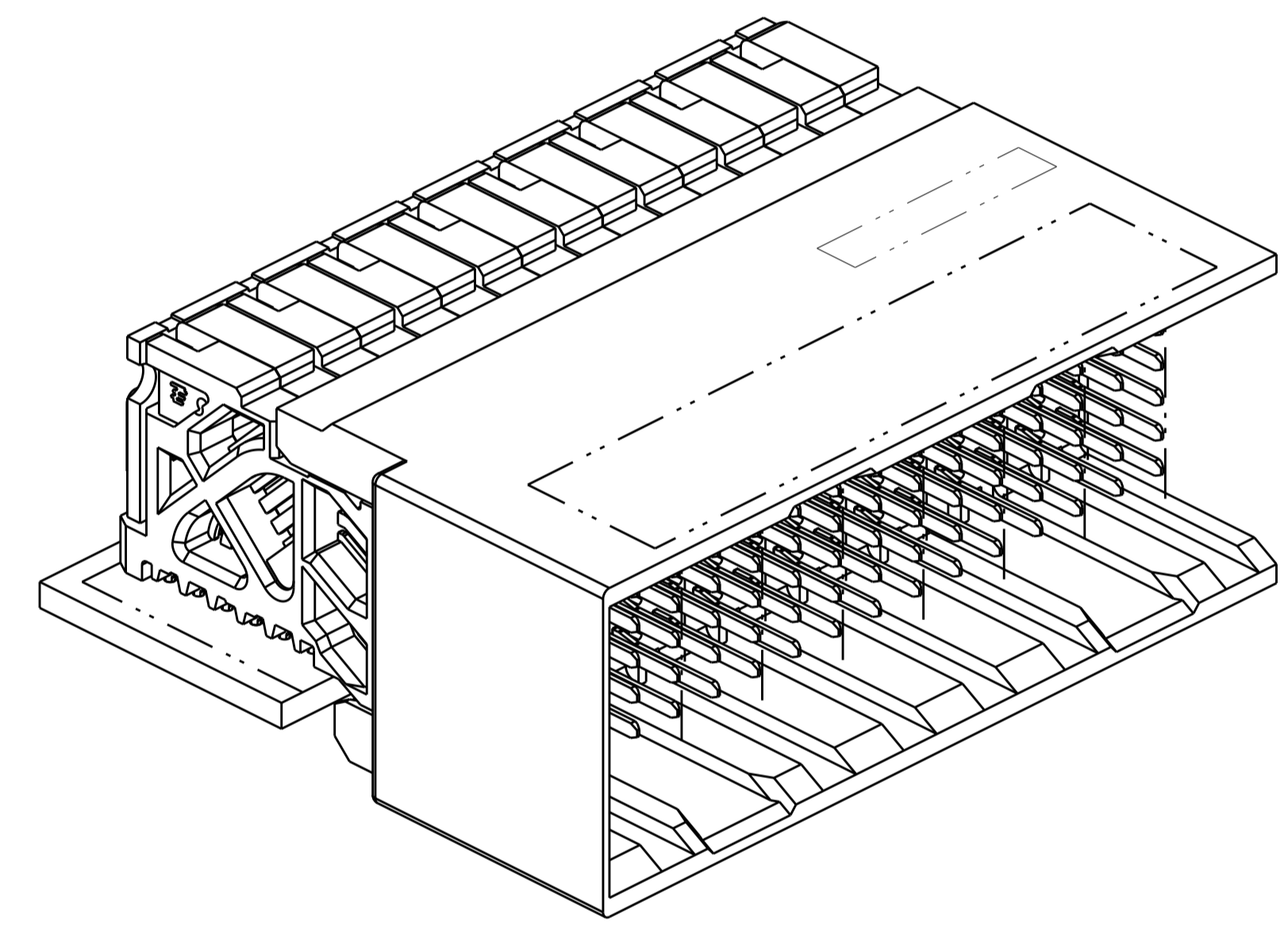
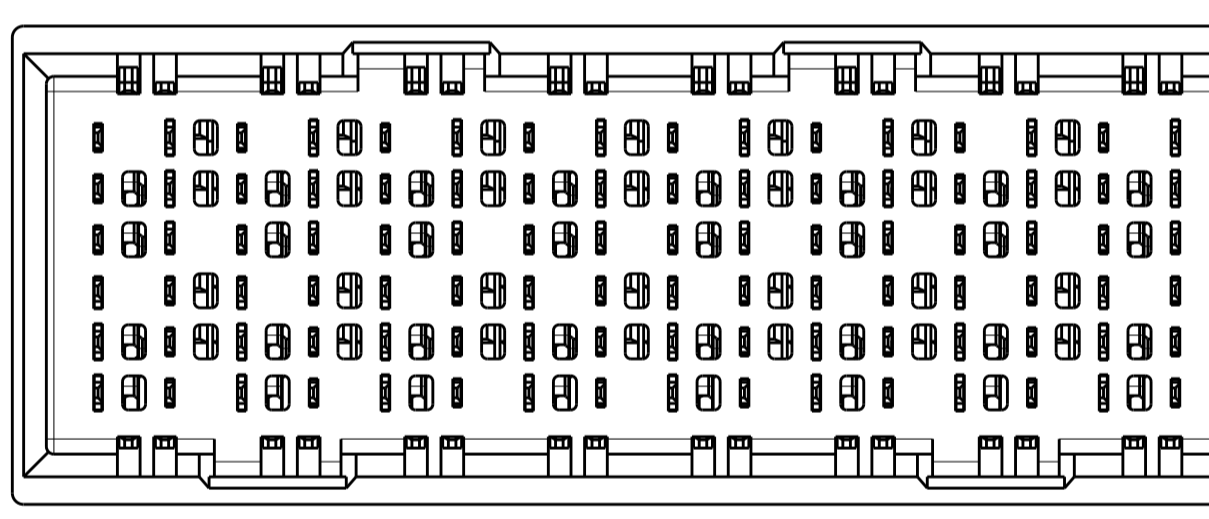
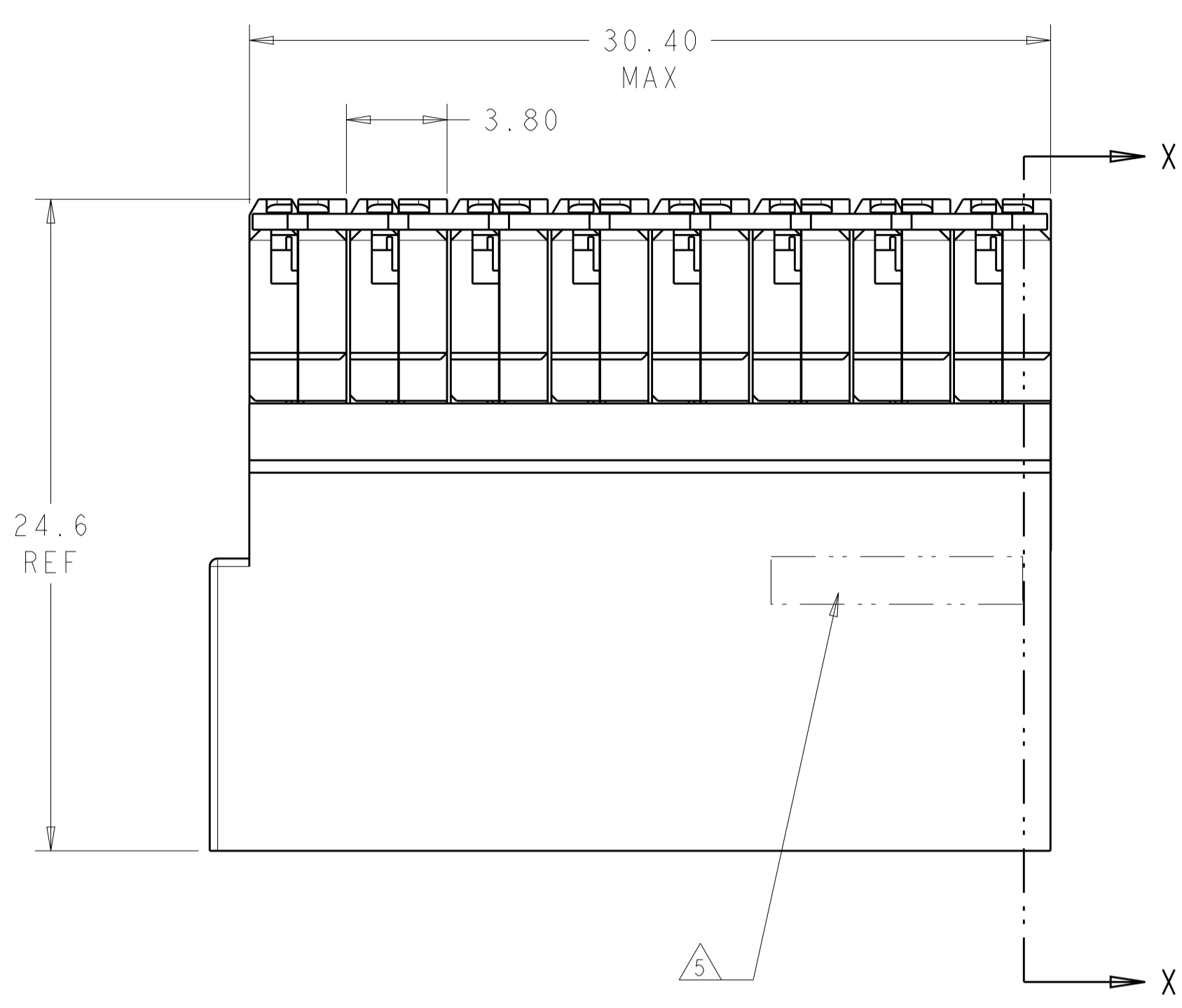


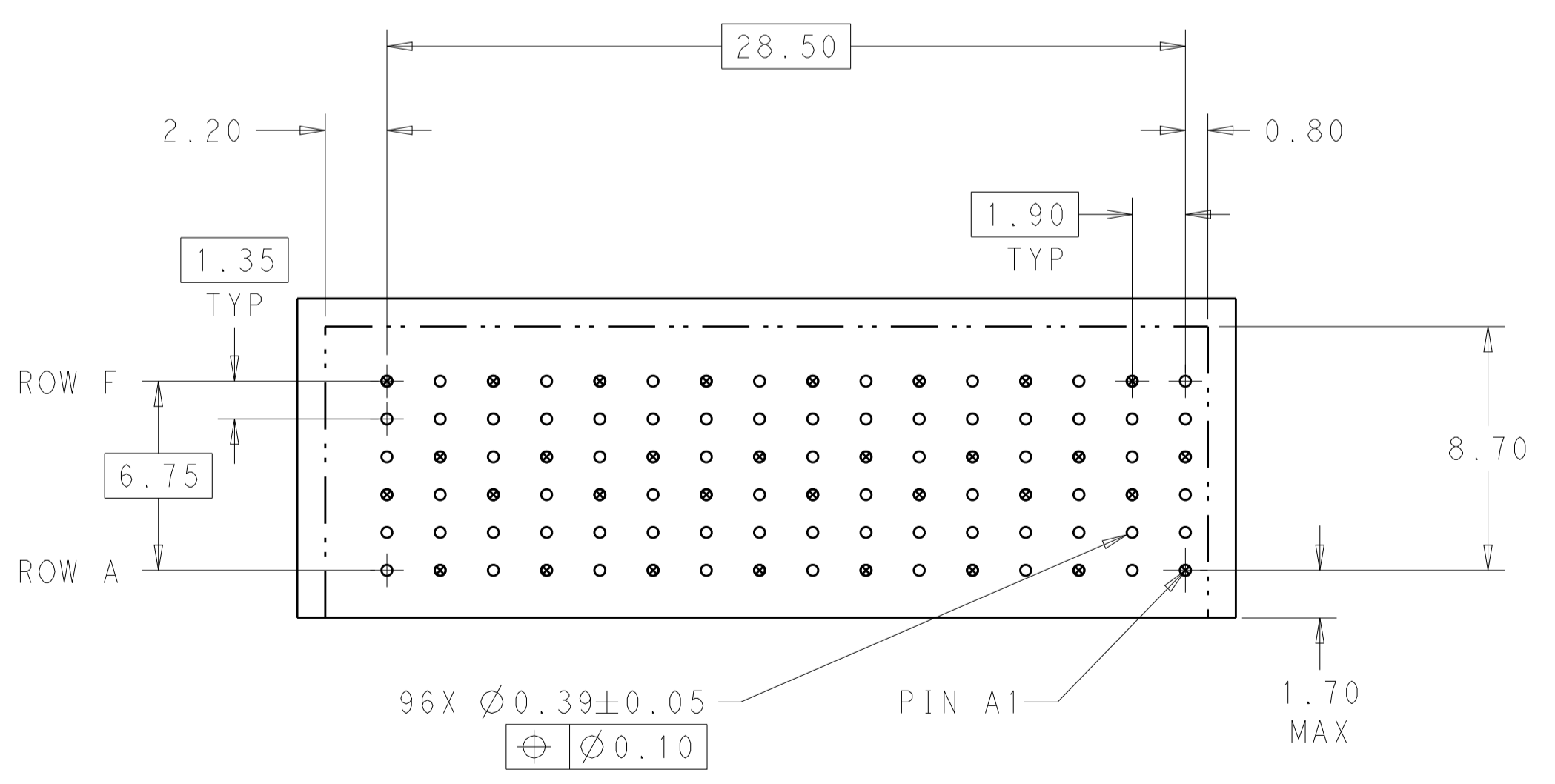
LOC		DIST		REVISIONS			
AD	00	P	LTN	DESCRIPTION	DATE	DWN	APVD
		C		REVISED PER ECO-14-005775	21APR2014	AP	DD



SECTION X-X



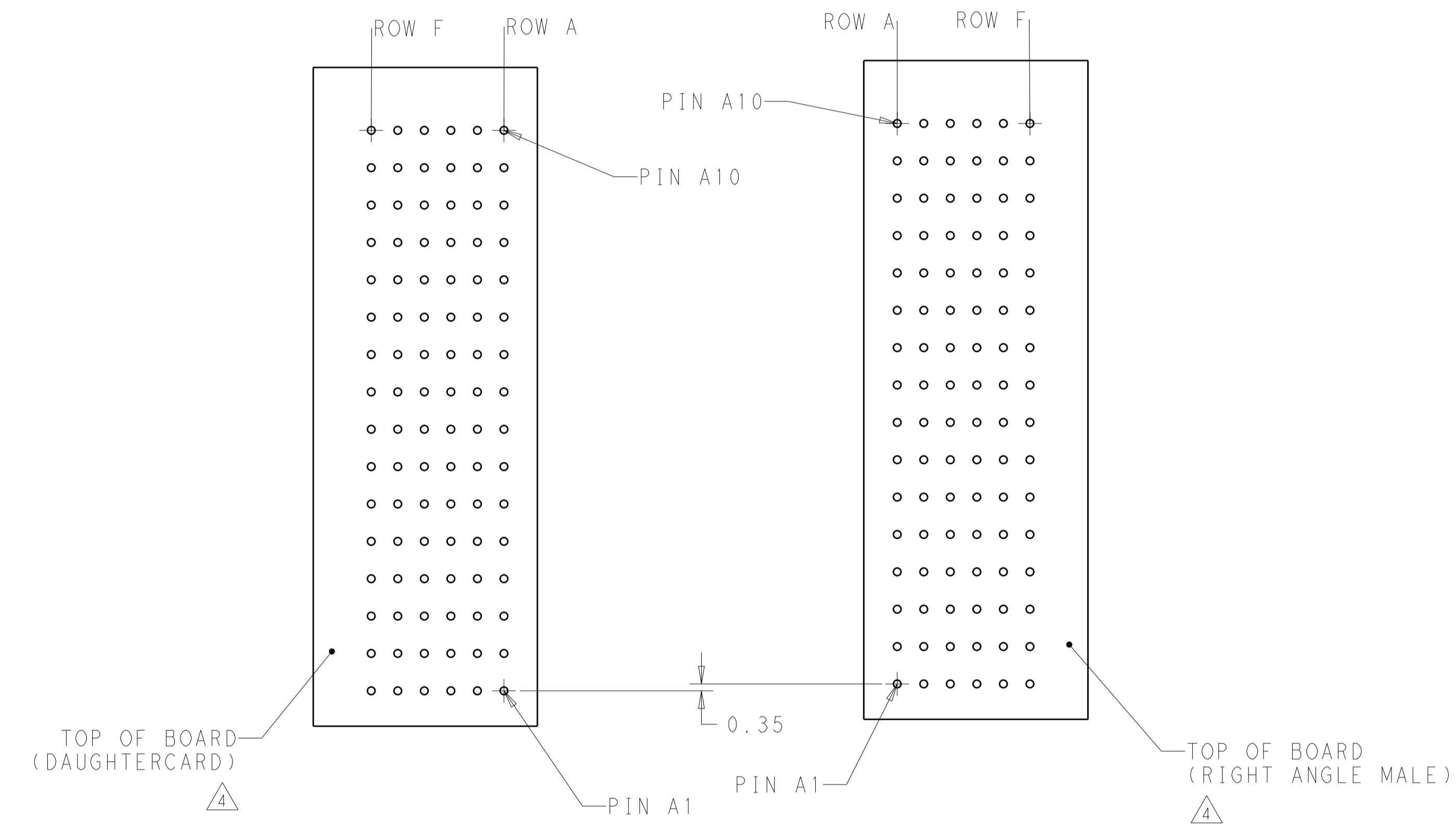
- 1 MATERIAL:  
HOUSING: LCP, GLASS FILLED, UL94V-0.  
TERMINALS: HIGH PERFORMANCE COPPER ALLOY.
- 2 FINISH:  
30µm SELECTIVE GOLD IN CONTACT AREA. SELECTIVE TIN ON PCB TAILS, NICKEL OVERALL.
- 3 FINISH:  
30µm SELECTIVE GOLD IN CONTACT AREA. SELECTIVE TIN-LEAD ON PCB TAILS, NICKEL OVERALL.
- 4 UNGUIDED RIGHT ANGLE MALE MATES TO UNGUIDED RIGHT ANGLE RECEPTACLE.
- 5 TE LOGO LOCATED IN APPROXIMATE LOCATION.



RECOMMENDED PCB LAYOUT

THIS DRAWING IS A CONTROLLED DOCUMENT.		DWN	07APR2011	<b>TE</b> Connectivity
DIMENSIONS:		CHK	07APR2011	
TOLERANCES UNLESS OTHERWISE SPECIFIED:		APVD	07APR2011	
mm				
0 PLC ±		NAME		IMPACT, STD. RAM. 2 PAIR, 16 COLUMN, UNGUIDED LEFT END WALL SIGNAL MODULE, 0.39 EYELET
1 PLC ±0.25		PRODUCT SPEC		
2 PLC ±0.13		APPLICATION SPEC		SIZE
3 PLC ±		MATERIAL		A100779C=2143310
4 PLC ±		FINISH		SCALE
ANGLES ±		SEE TABLE		5:1
MATERIAL		WEIGHT		SHEET
FINISH		CUSTOMER DRAWING		1 OF 2
				REV
				C

LOC		DIST		REVISIONS			
P	LTN	DESCRIPTION	DATE	DWN	APVD		
-	-	SEE SHEET 1	-	-	-		



COPLANAR MATED SIGNAL PATHS



FINISH	DIM M	PART NUMBER
△3	5.50	2143310-6
△3	4.90	2143310-5
△2	5.50	2143310-3
△2	4.90	2143310-2

REFER TO WWW.TE.COM FOR PRODUCT AVAILABILITY

THIS DRAWING IS A CONTROLLED DOCUMENT.		DWN 07APR2011	TE Connectivity
DIMENSIONS: mm		CHK J. EABY 07APR2011	
TOLERANCES UNLESS OTHERWISE SPECIFIED:		APVD J. EABY 07APR2011	
0 PLC ± 1 PLC ±0.25 2 PLC ±0.13 3 PLC ± 4 PLC ± ANGLES ±		NAME IMPACT, STD. RAM, 2 PAIR, 16 COLUMN, UNGUIDED LEFT END WALL SIGNAL MODULE, 0.39 EYELET	
MATERIAL	FINISH SEE TABLE	WEIGHT	SIZE CAGE CODE DRAWING NO. RESTRICTED TO
CUSTOMER DRAWING		SCALE 5:1	SHEET 2 OF 2 REV C