

110-Series

Heavy Action Toggle Switches

The 110-Series is a compactly designed, versatile metal construction toggle switch which is appropriate for a variety of uses. Features include single or double pole options, maintained or momentary construction with termination choices including solder lug end or bottom, wire leads and .250 tab terminals. The quick make/quick break contact mechanism makes the switch suitable for high voltage (125-250 volt) applications.

Applications:

- ♦ Small Appliance
- ♦ Floor Maintenance
- ♦ Lighting



Carling Technologies®
Innovative Designs. Powerful Solutions.

Carling Technologies, Inc.
60 Johnson Avenue • Plainville, CT 06062
Phone: (860) 793-9281 • Fax: (860) 793-9231
Email: sales@carlingtech.com • www.carlingtech.com

Dielectric Strength

UL/CSA: 1000V - live to dead metal parts & opposite polarity

Electrical Life

25,000 cycles

Mechanical Life

100,000 cycles

Operating Temperature

0°F to 150°F (-17.8°C to +65.6°C)

110-S - 73

¹
Base Part Number

²
Actuator Style

1 BASE PART NUMBER: SERIES/CIRCUITRY¹/RATING/TERMINATION²
3A 250V, 6A 125V, AC/DC

	Solder Lug (end)	Solder Lug (bottom)	Screw Terminals	Wire Leads
Single Pole				
On-None-Off	110	110-B	110-S	111-16
Off-None-(On)	110-M-NO	110-BM-NO	110-SM-NO	111-16M-NO
On-None-(Off)	110-M-NC	110-BM-NC	110-SM-NC	111-16M-NC
Double Pole				
On-None-Off	2BK62	-	-	2BK65
On-None-On	2BL62	-	-	2BL65

1A 250V, 3A 125V, AC/DC

Single Pole				
On-None-On	112	-	-	112-A
On-None-(On)	112-M	-	-	112-M-A
Double Pole				
On-None-Off	216	-	-	216A
Off-None-(On)	216-M-NO	-	-	216A-M-ANO
On-None-(Off)	216-M-NC	-	-	216A-M-ANC
On-None-On	316	316-B	-	-
On-None-(On)	316-M	316-BM	-	-
2 circuit				
1 On - 1 Off	516	516-B	-	516-A
1 (On) - 1 (Off)	516-M	516-BM	-	516-AM

6A 120VAC

Single Pole			
On-None-On	2BB62	-	2BB65

5A 250V, 10A 125V, 1/4HP, 125V

Single Pole				
On-None-Off	160H	160H-B	160H-S	160H-A

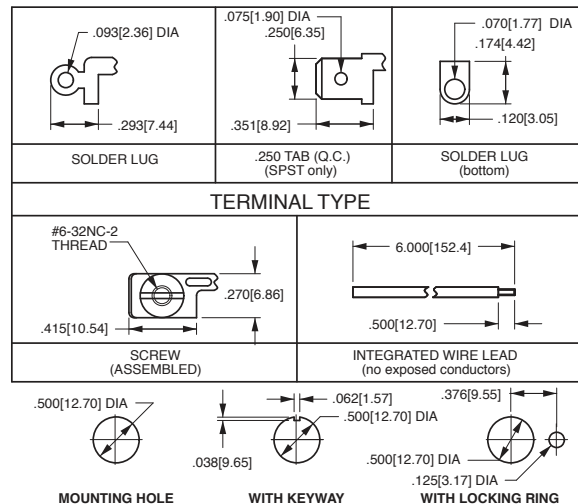
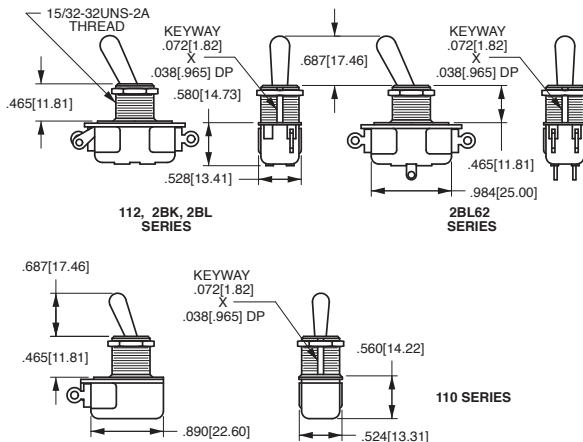
2 ACTUATOR STYLE

BAT STYLE TOGGLE		toggle length	bushing length
unsealed	sealed	0.375	0.343
52	57	0.500	0.465
63	68	0.687	0.46555
73	78		

BALL STYLE TOGGLE		toggle length	bushing length
unsealed	sealed	0.375	0.250
21	-	0.375	0.343
22	-	0.375	0.343
25	-	0.375	0.875

Notes:

- 1 Momentary function only available with 73 toggles.
 - 2 160H and 110-Series are available with .250 tab terminals. Add suffix /TABS to end of part number. ex. 110-73/TABS
- () Indicates momentary function.



*Manufacturer reserves the right to change product specification without prior notice.