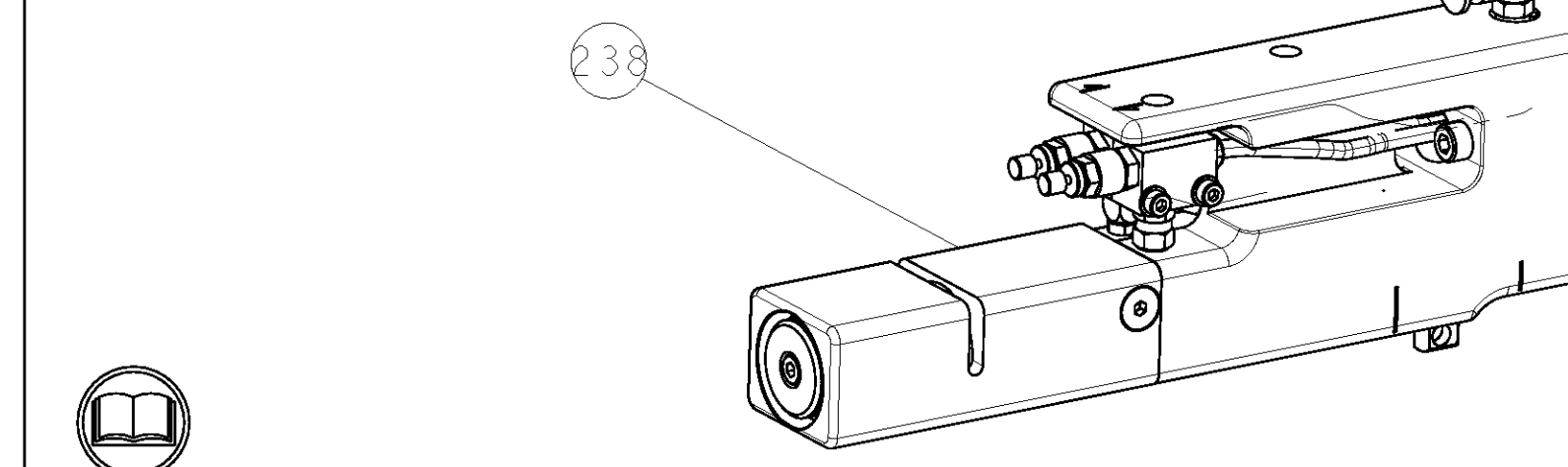


PART NUMBER	REV	TERMINATOR	FEED TYPE	DESCRIPTION
1530311-1	1	LEADMAKER	AIR FEED	CUTS CARRIER
1530311-2	1	BENCH	AIR FEED	CUTS CARRIER
1530311-6	1	LEADMAKER	AIR FEED	CONTINUOUS CARRIER
7-1530311-1	1	LEADMAKER	AIR FEED	-1 AND SPARE PARTS
7-1530311-2	1	BENCH	AIR FEED	-2 AND SPARE PARTS
7-1530311-6	1	LEADMAKER	AIR FEED	-6 AND SPARE PARTS
7-1530311-7	1	-	-	SPARE PARTS KIT

CRIMP DATA	TE TERMINAL	TE CRIMP SPECS
TERMINAL NAME: MAXI POWER TIMER FOR 1.2mm TABS		
CRIMP	SIZE	TYPE
WIRE	4.57 [ .180 IN ]	F
INSUL	6.35 [ .250 IN ]	F
WIRE STRIP LENGTH		APPL INSTRUCTIONS
7.00-7.80mm		408-8322 & 408-8490

TERMINAL	114-18075	FEED
APPL SPEC	-	30.00 [ 1.181 IN ]

WIRE SIZE	CRIMP HEIGHT
6.00mm <sup>2</sup>	3.08 ± 0.05 [ .121 ± .002 IN ]
5.50mm <sup>2</sup>	3.00 ± 0.05 [ .118 ± .002 IN ]
5.00mm <sup>2</sup>	2.91 ± 0.05 [ .115 ± .002 IN ]
4.00mm <sup>2</sup>	2.74 ± 0.05 [ .108 ± .002 IN ]

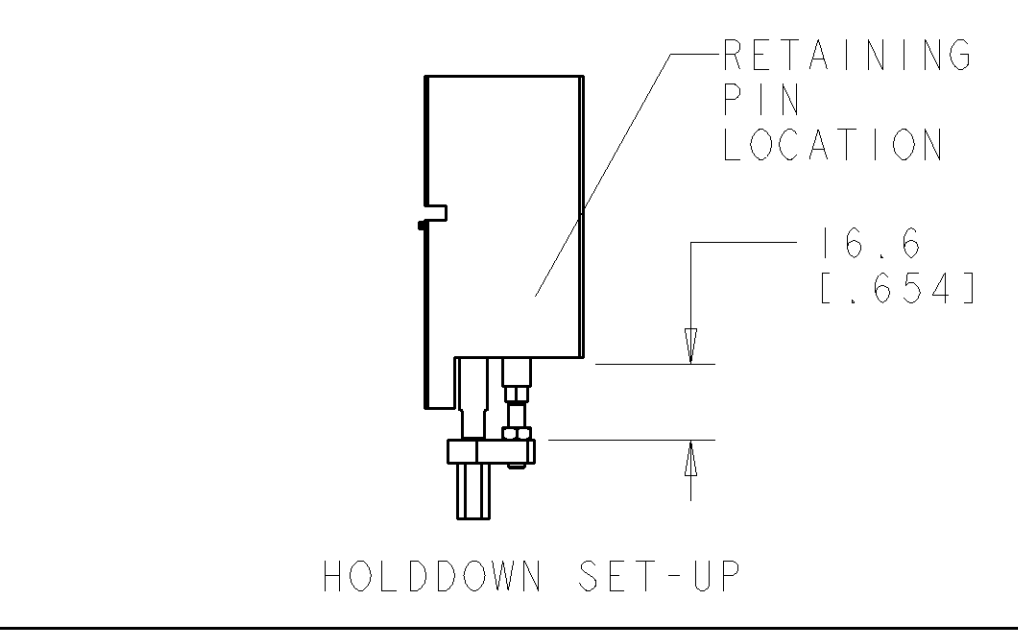
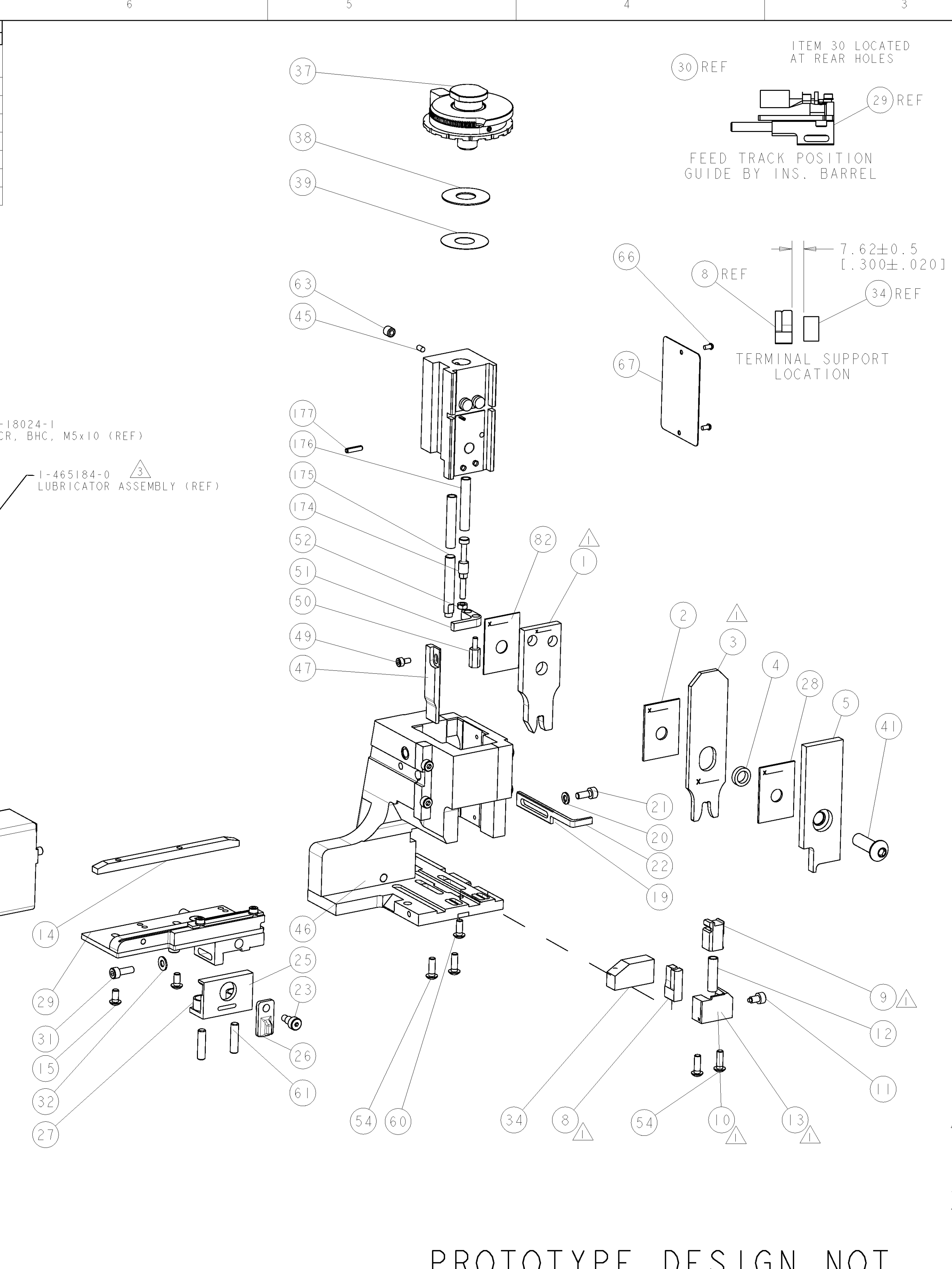
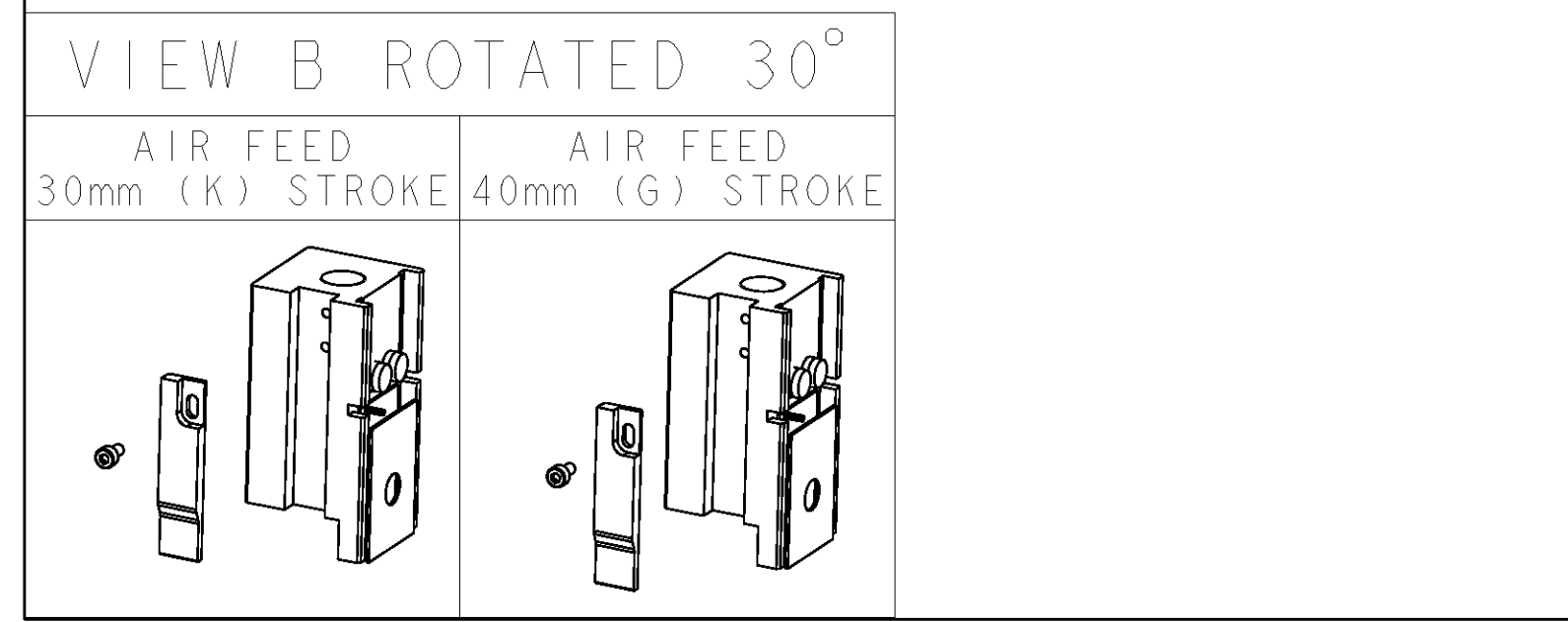


△ RECOMMENDED SPARE PARTS.

2. GREASE RAM, CAM, CAM FOLLOWER AND FEED ROD LIGHTLY.

△ CERTAIN TERMINALS REQUIRE LUBRICATION. REFER TO THE APPLICATOR INSTRUCTION SHEET FOR MORE INFORMATION.

4. LUBRICATE DAILY PER THE APPLICATOR INSTRUCTION SHEET SUPPLIED WITH THE APPLICATOR.



PROTOTYPE DESIGN NOT RELEASED FOR PRODUCTION

\* WARNING  
ON INSTALLATION, SET WIRE DISC TO LARGEST WIRE SIZE SETTING. USE OF SETTINGS BELOW MIN. REQUIRED CRIMP HEIGHT SETTING WILL CAUSE DAMAGE TO CRIMP TOOLING.

LOC	REV	DATE	BY	APPD
A	66			

SET UP GAGE 458637-3

\* ITEM 71 IS NOT CORRECT WHEN USING AIRFEED. NEED NEW PART NUMBER. WAITING ON NEW APPL INSTRUCTION SHEET PART NUMBER.

QTY	DESCRIPTION	DATE	DWN	APPD
1	PRE-RELEASE	12APR2011	BH	BH

QTY	DESCRIPTION	ITEM NO
1	2063440-2 AIR FEED MODULE	238
1	993111-8 PIN, SLOTTED SPRING 3.0 X 12.0	177
2	3-22280-7 SPRING, COMPRESSION	176
1	1752353-1 GUIDE PIN, HOLDDOWN	175
1	1901680-1 GUIDE PIN, HOLDDOWN	174
1	455888-6 SPACER, CRIMPER	82
1	1338705-3 DOCUMENTATION PACKAGE	71
1	461264-5 PLATE, IDENTIFICATION	67
2	21017-2 SCREW, DRIVE	66
1	3-18031-0 SCR, SET, CUP POINT M6 X 6.0	63
2	2-18032-5 SCR, SET, FLT POINT M5 X 20.0	61
1	18024-7 SCR, BTN SKT HD CAP (M4 X 10.0)	60
4	18024-8 SCR, BTN SKT HD CAP (M4 X 12.0)	54
1	1-18030-0 NUT, HEX, REG M3.5	52
1	1901681-2 HOLDDOWN, TERMINAL	51
1	3-1752354-3 STANDOFF, HOLD-DOWN	50
1	18023-2 SCR, SKT HD CAP M3 X 6.0	49
1	2063453-1 CAM	47
1	2063968-1 APPL. SUBASSY, SF HDI AIR	46
1	690191-1 PLUG, NYLON	45
1	1633911-2 RAM, (SIDE FEED)	44
1	2-18024-6 SCR, BTN SKT HD CAP (M8 X 25.0)	41
1	690125-1 SHIM SUB-ASSY	39
1	469367-8 SHIM	38
1	879103-2 FINE ADJUST HEAD ASSEMBLY	37
1	1-1752356-0 SUPPORT, TERMINAL	34
1	18027-2 WASHER, FLAT, REG M4	32
1	1-18023-2 SCR, SKT HD CAP M4 X 12.0	31
1	1633073-6 STRIP GUIDE ASSEMBLY	29
1	1-455888-0 SPACER, CRIMPER	28
2	1-22280-3 SPRING, COMPRESSION	27
1	356835-1 LEVER, DRAG RELEASE	26
1	240792-1 DRAG, TERMINAL	25
1	980371-4 SCR, SKT HD SHLDR 5.0 DIA X 6.0	23
1	690472-2 STRIPPER	22
1	1-18023-1 SCR, SKT HD CAP M4 X 10.0	21
1	18025-2 WASHER, SPRG LOCK, REG M4	20
1	690472-1 STRIPPER	19
2	18024-6 SCR, BTN SKT HD CAP (M4 X 8.0)	15
1	1320907-2 FENCE, STRIP GUIDE	14
1	1338684-2 SHEAR HOLDER, FRONT	13
1	3-22280-3 SPRING, COMPRESSION	12
1	356885-5 STOP, SHEAR	11
1	1-1320921-0 SHEAR HOLDER, FRONT, CUT	10
1	454276-5 FLOATING SHEAR, FRONT	9
1	1633711-4 ANVIL, COMBINATION	8
-	-	7
-	-	6
1	2-455889-1 DEPRESSOR, SHEAR	5
1	238011-2 BLOCK, CRIMPER SPACER	4
1	2-1633511-1 CRIMPER, INSULATION F	3
1	1-455888-1 SPACER, CRIMPER	2
1	1-456412-5 CRIMPER, WIRE .180 F PREMIUM	1

QTY	DESCRIPTION	ITEM NO							
77	76	72	71	6	2	1	PART NO	DESCRIPTION	ITEM NO