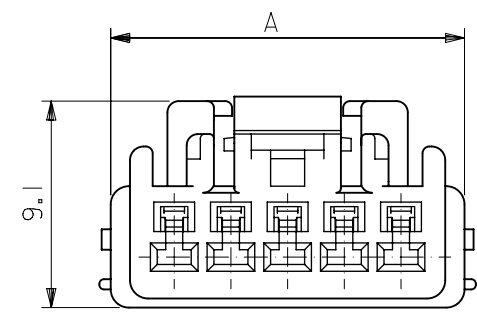
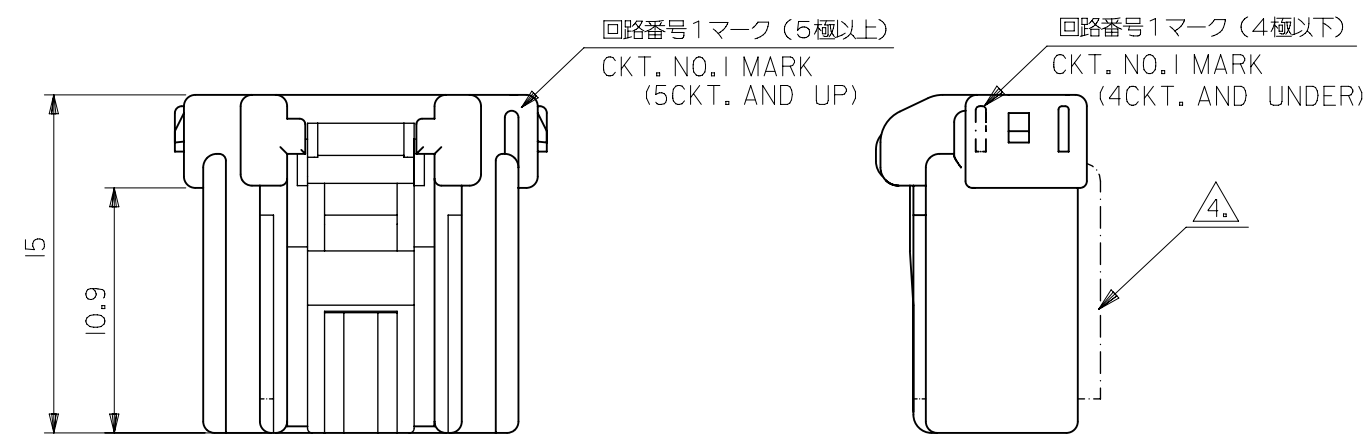
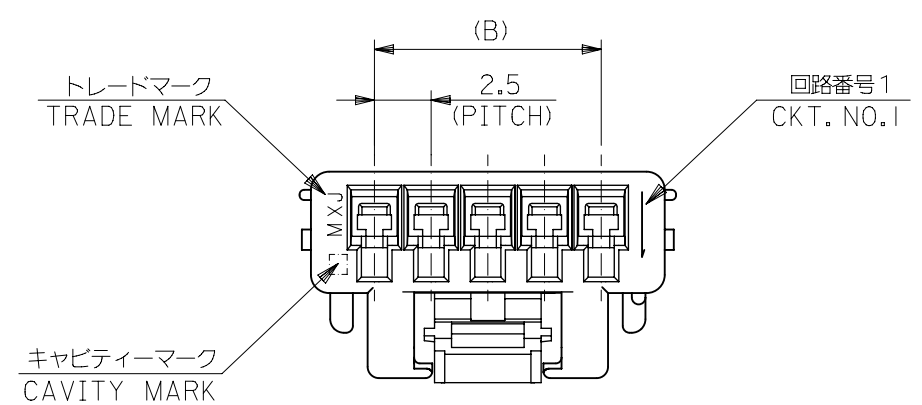


SHAPE OF  
500592-050\*



注記  
NOTES

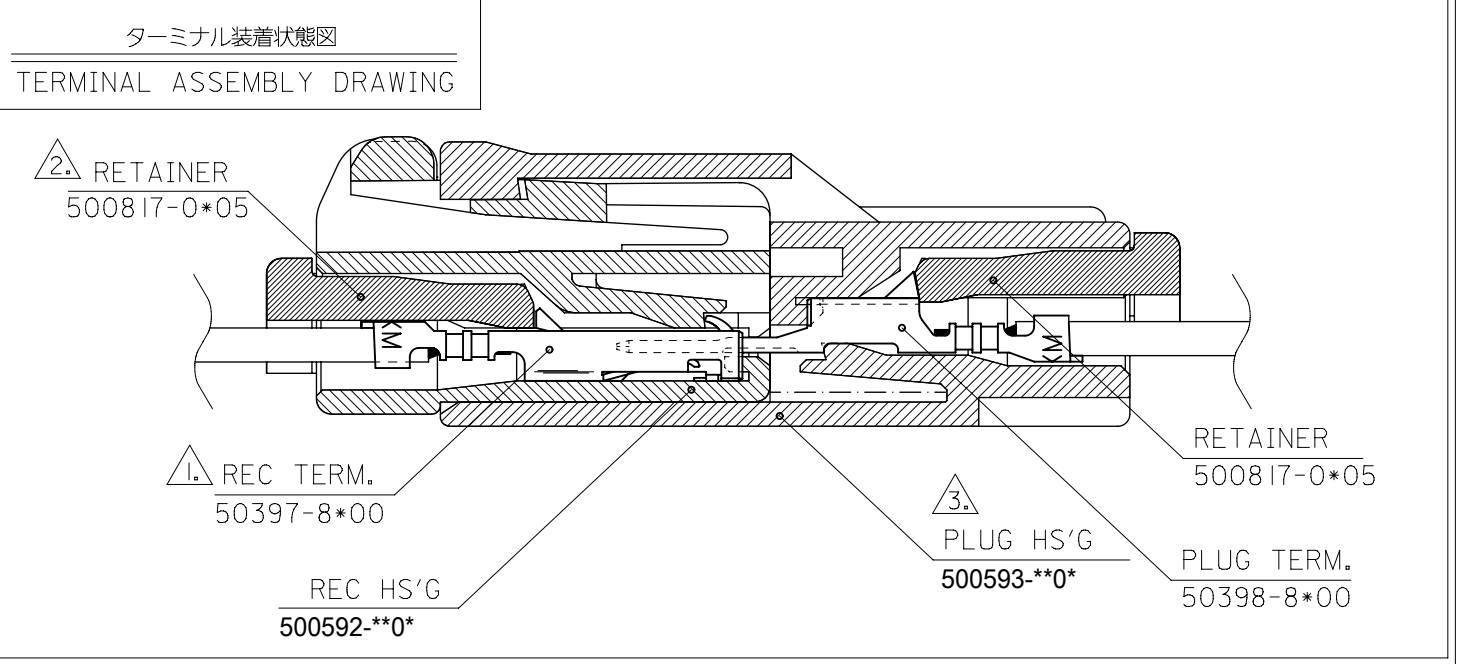
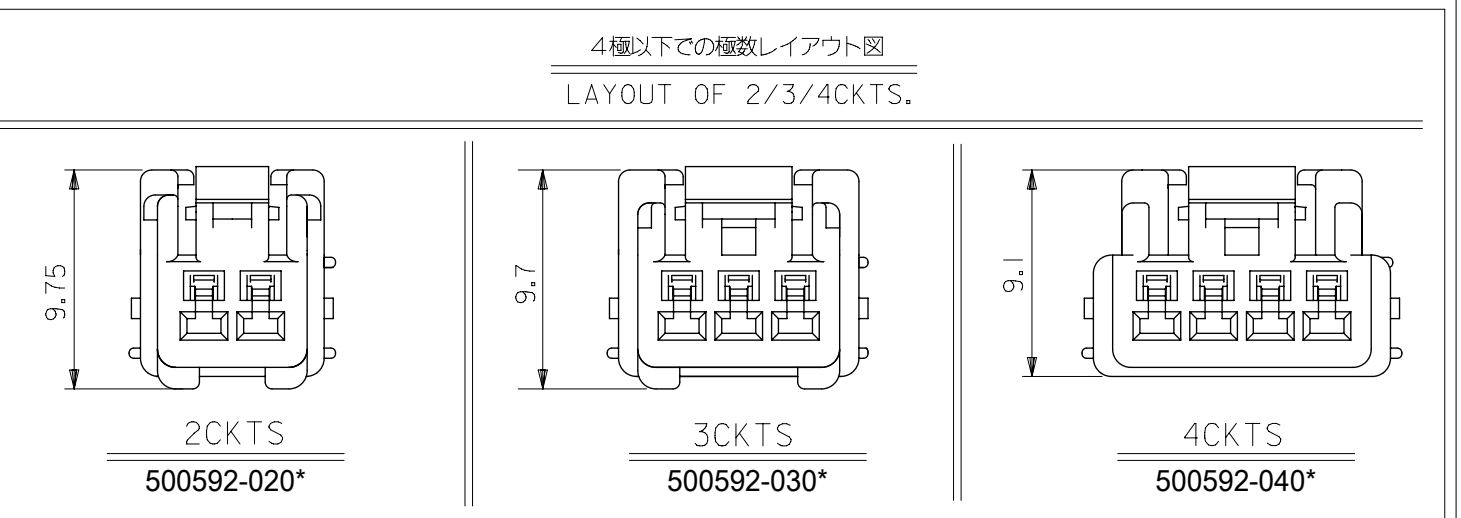
1. 適合ターミナル : 50397シリーズ  
APPLICABLE TERMINAL : 50397 SERIES
2. 適合リテーナー : 500817シリーズ  
APPLICABLE RETAINER : 500817 SERIES
3. 嵌合相手 : 500593シリーズ  
MATE WITH : 500593 SERIES
4. 2及び3極に適用。  
APPLY 2&3 CIRCUITS.
5. 材質 : PBT (UL94V-0)  
MATERIAL : PBT(UL94V-0)

6. MATERIAL NO. は以下の内容を示す。  
MATERIAL NO. :

500592-\*\*0\*

極数 ← 色  
CKT COLOR

0: 自然色 NATURAL  
1: 黒 BLACK  
2: 赤 RED  
3: 黄色 YELLOW  
4: 青 BLUE  
6: 緑 GREEN



PRE-RELEASE  
REFERENCE  
USE ONLY

500592-\*\*0\* MODEL NO.

THIS DRAWING CONTAINS INFORMATION THAT IS PROPRIETARY TO MOLEX ELECTRONIC TECHNOLOGIES, LLC AND SHOULD NOT BE USED WITHOUT WRITTEN PERMISSION									
DIMENSION UNITS mm		SCALE NTS		CURRENT REV DESC: OBSOLETE PART NUMBERS AS PER PCN#512131.					
GENERAL TOLERANCES (UNLESS SPECIFIED)				<p>EC NO: 727779</p> <p>DRWN: ANIKES1 2022/10/26</p> <p>CHK'D: GGA 2022/11/29</p> <p>APPR: GGA 2022/11/29</p> <p>INITIAL REVISION:</p> <p>DRWN: TODA 2004/06/11</p> <p>APPR: YOITO 2004/06/16</p>					
ANGULAR TOL		± 3.0 °							
4 PLACES		± 0.2							
3 PLACES		± 0.25							
2 PLACES		± 0.3							
1 PLACE		±		DOCUMENT NUMBER		DOC TYPE		DOC PART	
0 PLACES		±		SD-500592-001		PSD		001	
DRAFT WHERE APPLICABLE MUST REMAIN WITHIN DIMENSIONS		THIRD ANGLE PROJECTION		DRAWING		SERIES		MATERIAL NUMBER	
		A3-SIZE		500592		SEE TABLE		GENERAL MARKET	
DOCUMENT STATUS		P1		RELEASE DATE		2022/11/29		12:45:08	
10		9		8		7		6	
5		4		3		2		1	

10

9

8

7

6

5

4

3

2

1

F

F

E

E

D

D

C

C

B

B

A

A

500593-080*	500817-0805	17.5	23.1	8	---	---	---	---	500592-0800	
↑ -070*	↑ -0705	15	20.6	7	---	---	---	---	↑ -0700	
-060*	-0605	12.5	18.1	6	---	---	---	---	-0600	
-050*	-0505	10	15.6	5	---	---	---	---	-0500	500592-***
-040*	-0405	7.5	13.1	4	---	500592-0403	---	---	-0400	
↓ -030*	↓ -0305	5	10.6	3	500592-0304	---	---	---	↓ -0300	
500593-020*	500817-0205	2.5	8.1	2	500592-0204	500592-0203	500592-0202	500592-0201	500592-0200	
MATE WITH	CONFORTABLE-RETAINER	B	A	CKT.	BLUE	YELLOW	RED	BLACK	NATURAL	MODEL NO.

PRE-RELEASE  
REFERENCE ONLY  
USE ONLY

THIS DRAWING CONTAINS INFORMATION THAT IS PROPRIETARY TO MOLEX ELECTRONIC TECHNOLOGIES, LLC AND SHOULD NOT BE USED WITHOUT WRITTEN PERMISSION

DIMENSION UNITS	SCALE	CURRENT REV DESC: OBSOLETE PART NUMBERS AS PER PCN#512131.
mm	NTS	
GENERAL TOLERANCES (UNLESS SPECIFIED)		
ANGULAR TOL	± 3.0 °	
4 PLACES	± 0.2	EC NO: 727779
3 PLACES	± 0.25	DRWN: ANIKES1 2022/10/26
2 PLACES	± 0.3	CHK'D: GGA 2022/11/29
1 PLACE	±	APPR: GGA 2022/11/29
0 PLACES	±	INITIAL REVISION:
		DRWN: TODA 2004/06/11
		APPR: YOITO 2004/06/16
DRAFT WHERE APPLICABLE MUST REMAIN WITHIN DIMENSIONS	THIRD ANGLE PROJECTION	DRAWING
		A3-SIZE
		SERIES
		500592
		MATERIAL NUMBER
		SEE TABLE
		CUSTOMER
		GENERAL MARKET
		SHEET NUMBER
		2 OF 2

**molex**

2.5MM WIRE TO WIRE CONN RECEPTACLE HOUSING

PRODUCT CUSTOMER DRAWING

DOCUMENT NUMBER	DOC TYPE	DOC PART	REVISION
SD-500592-001	PSD	001	C

DOCUMENT STATUS	P1	RELEASE DATE	2022/11/29 12:45:08
-----------------	----	--------------	---------------------

10 9 8 7 6 5 4 3 2 1

FORMAT: master-b-prod-A3  
REVISION: 11  
DATE: 2021/05/01