

8P1P YYY 2 1 0 YR BR 1

SERIES 14.00 [0.551]
 # OF POSITIONS (Ex. 002)
 SEE CHART A
 2 = FEMALE
 BOARD MOUNT (PANEL MOUNT)
 PLASTIC SHELL
 1 = GOLD FLASH
 RoHS COMPLIANT
 NUT "B" COLOR
 G = GREY
 A = BLUE
 J = YELLOW
 N = BLACK
 R = RED
 V = GREEN

CHARACTERISTICS

MATERIALS

HOUSING : ABS+PC
 HOUSING COLOR : GREY
 NUT A : BRASS
 NUT A PLATING : NICKEL
 CONTACTS : COPPER ALLOY
 CONTACT PLATING : 7µ" GOLD PLATED OVER 196µ" NICKEL MIN.
 INSULATOR : PPS (HIGH TEMPERATURE)

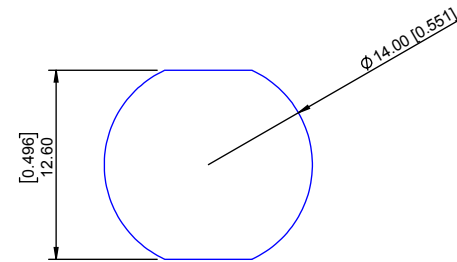
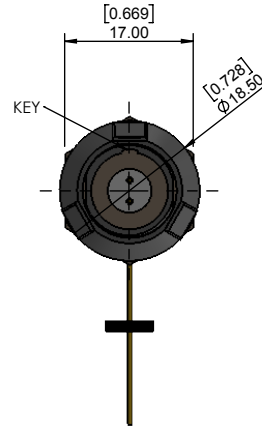
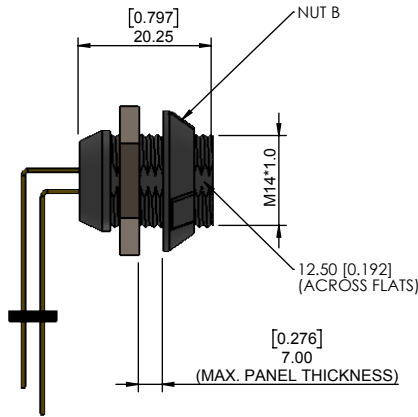
MECHANICAL

DURABILITY: 2000 CYCLES
 OPERATING TEMP. RANGE: -20° C ~ +120° C
 PROCESS TEMPERATURE : 260° C FOR 5 SECONDS
 MAX. TORQUE VALUE : 0.7 Nm [6.19 IN/lbs]

IP RATING: 50

****NOTE****

SEE PAGE 2 FOR BOARD LAYOUTS



PANEL CUTOUT

TOLERANCE = +0.10, -0.0
 [+0.004, -0.00]

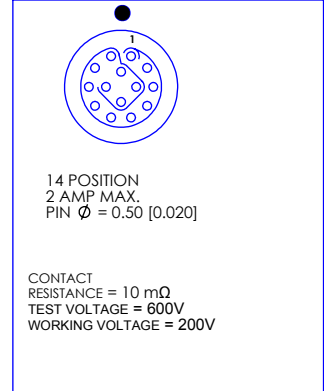


CHART A

● = KEY LOCATION

****VIEW FROM TERMINATION END****

2 POSITION 10 AMP MAX. PIN Ø = 1.30 [0.051]	3 POSITION 10 AMP MAX. PIN Ø = 1.30 [0.051]	4 POSITION 8 AMP MAX. PIN Ø = 0.90 [0.035]	5 POSITION 7 AMP MAX. PIN Ø = 0.90 [0.035]	6 POSITION 6 AMP MAX. PIN Ø = 0.70 [0.028]	7 POSITION 5 AMP MAX. PIN Ø = 0.70 [0.028]	8 POSITION 5 AMP MAX. PIN Ø = 0.70 [0.028]	9 POSITION 3 AMP MAX. PIN Ø = 0.50 [0.020]	10 POSITION 3 AMP MAX. PIN Ø = 0.50 [0.020]
CONTACT RESISTANCE = 5 mΩ TEST VOLTAGE = 1200V WORKING VOLTAGE = 400V	CONTACT RESISTANCE = 5 mΩ TEST VOLTAGE = 1200V WORKING VOLTAGE = 400V	CONTACT RESISTANCE = 6 mΩ TEST VOLTAGE = 1200V WORKING VOLTAGE = 400V	CONTACT RESISTANCE = 6 mΩ TEST VOLTAGE = 1050V WORKING VOLTAGE = 350V	CONTACT RESISTANCE = 7.5 mΩ TEST VOLTAGE = 1050V WORKING VOLTAGE = 350V	CONTACT RESISTANCE = 7.5 mΩ TEST VOLTAGE = 1050V WORKING VOLTAGE = 350V	CONTACT RESISTANCE = 7.5 mΩ TEST VOLTAGE = 1050V WORKING VOLTAGE = 350V	CONTACT RESISTANCE = 10 mΩ TEST VOLTAGE = 850V WORKING VOLTAGE = 280V	CONTACT RESISTANCE = 10 mΩ TEST VOLTAGE = 850V WORKING VOLTAGE = 280V

RoHS COMPLIANT

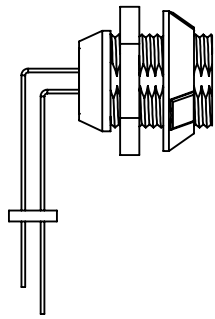


THESE DRAWINGS AND SPECIFICATIONS ARE THE PROPERTY OF NorComp AND SHALL NOT BE REPRODUCED, COPIED OR USED AS THE BASIS FOR THE MANUFACTURE OR SALE OF APPARATUS WITHOUT WRITTEN PERMISSION.

NorComp

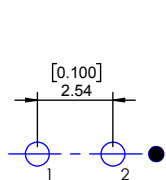
DRAWN: M. SIGMON	DATE: 10-11-16	SCALE: N.T.S.	SHEET 1	OF 2	REV: 2
			DWG NO. 8P1PYYY210YRBR1		

● = KEY LOCATION

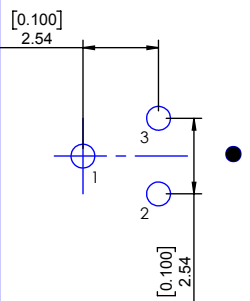


HOLE DIAMETERS

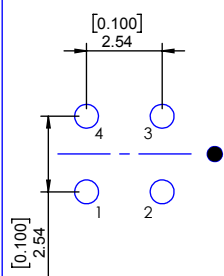
2 POS : 0.90 [0.035]
 3-14 POS : 0.80 [0.031]



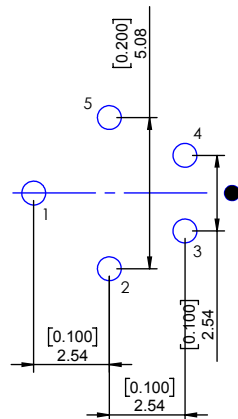
2 POS



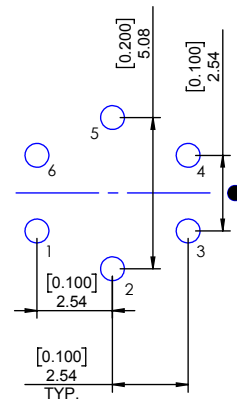
3 POS



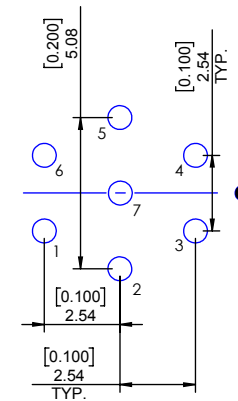
4 POS



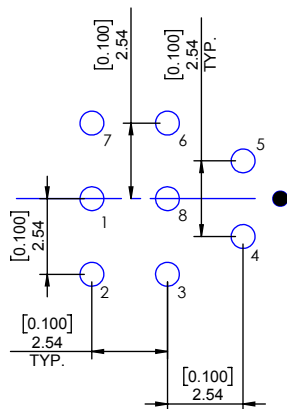
5 POS



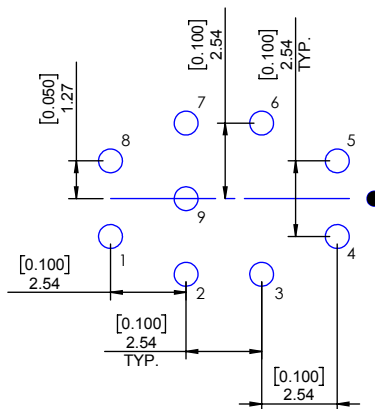
6 POS



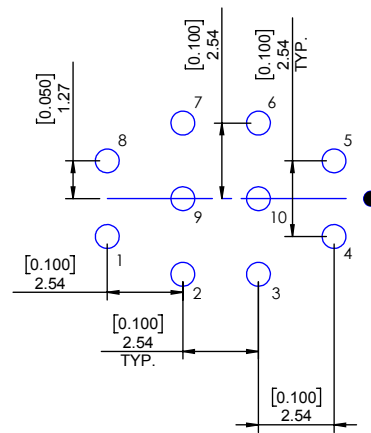
7 POS



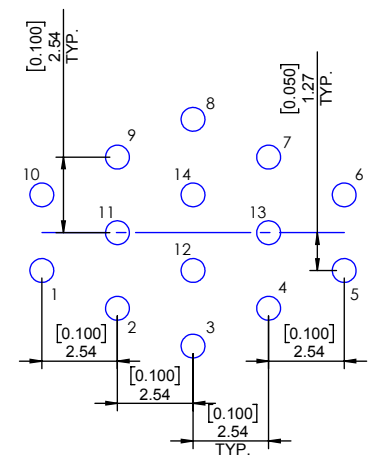
8 POS



9 POS



10 POS



14 POS

RoHS COMPLIANT



THESE DRAWINGS AND SPECIFICATIONS ARE THE PROPERTY OF NorComp AND SHALL NOT BE REPRODUCED, COPIED OR USED AS THE BASIS FOR THE MANUFACTURE OR SALE OF APPARATUS WITHOUT WRITTEN PERMISSION.

NorComp

DRAWN: M. SIGMON

DATE: 10-11-16

SCALE: N.T.S.

SHEET 2 OF 2

REV: 2

DWG NO. 8P1PYYY210YRBR1