

MATERIAL

AISI 304 stainless steel.

SHANK

AISI 303 stainless steel.

PULLING HOOK

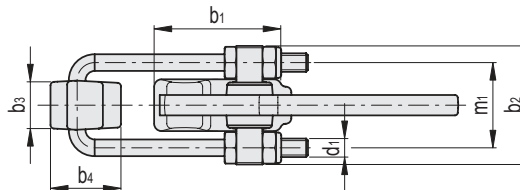
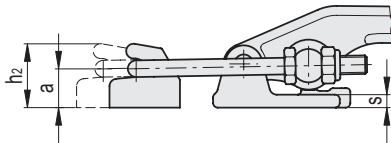
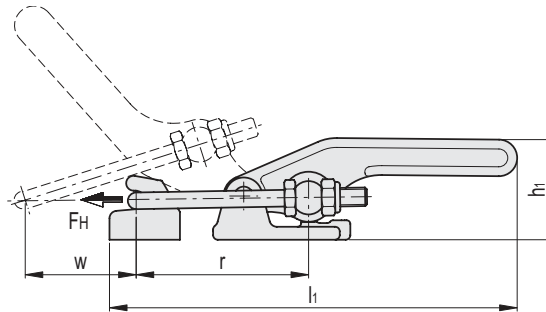
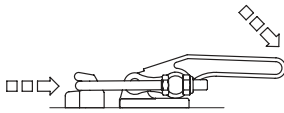
AISI 303 stainless steel.

OSCILLATING PIN AND NUTS

AISI 303 stainless steel.

FEATURES AND APPLICATIONS

All articulated joints are lubricated with special grease.
MTS. clamps ensure tight closing of any cover; they are suitable for use with high resistant torque thanks to high mechanical resistance of materials.
The position of the pulling hook can be adjusted in length according to the specific applications.



- 1
- 2
- 3
- 4
- 5
- 6
- 7
- 8
- 9
- 10
- 11
- 12
- 13
- 14
- 15
- 16
- 17
- 18

INOX STAINLESS STEEL METRIC

Code	Description	a	b1	b2	b3	b4	d1	h1	h2	l1	m1	r	s	Stroke w	FH [N]*	⚖️
GG.AS520	MTS.1700-T2SX	21	68	64	26.5	38	M10	55	34.5	221	46	94+106	7	54+58	17000	1085
GG.AS524	MTS.4000-T2SX	27	85	80	32	50	M12	68	43	277	55	102+124	9	62+65	40000	2070

* Holding force.

