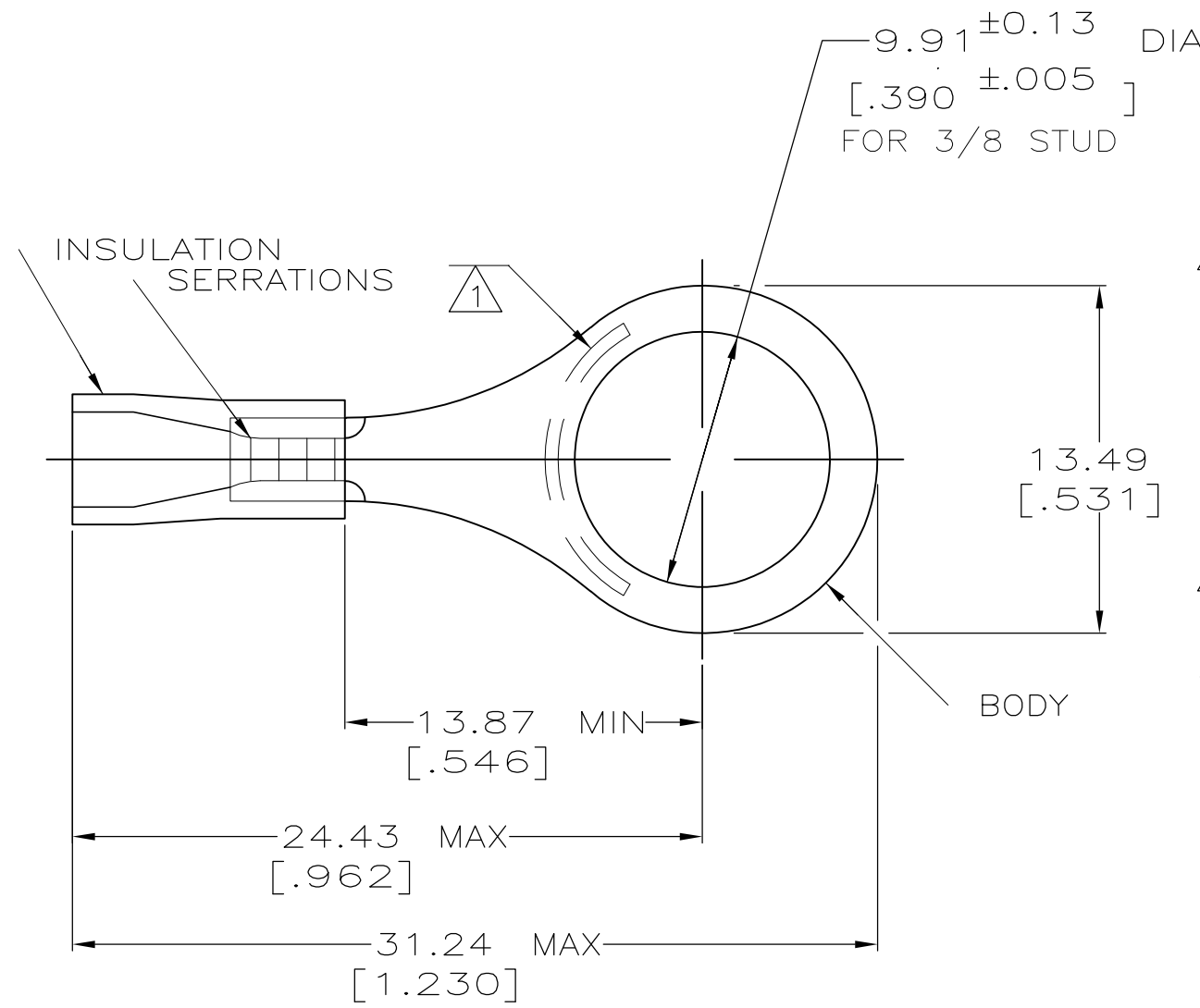


LOC	DIST	REVISIONS					
G	14	P	LTR	DESCRIPTION	DATE	DWN	APVD
			M1	REVISED PER ECO-11-005027	12MAR11	RK	HMR

<b>AMP</b> WIRE RANGE	Listed FILE E13288	LR7189 Certified
22-16 AWG SOLID OR STRANDED	22-16 AWG SOLID OR STRANDED	22-16 AWG SOLID OR STRANDED



- 1 STAMP AMP 22-18\* 1-2 APPROX AS SHOWN 22-16 TERMINALS ARE STAMPED 22-18 IN ACCORDANCE WITH MILITARY SPEC MIL-T-7928 COMMERCIAL WIRE RANGE IS 22-16
- 2 WIRE INSULATION DIA: 2.67-3.56 [.105-.140]
- 3 TONGUE MATERIAL THK: 0.79<sup>±0.05</sup> [.031<sup>±.002</sup>]
- 4 MATERIAL: BODY - CU PER ASTM B152 SLEEVE - PVC, COLOR - RED
- 5 MATERIAL: BODY - CU PER ASTM B152 SLEEVE - PVC, COLOR - BLACK

100	LOOSE PC,BOX	4	8-34152-1
5000	ON TAPE, REEL	5	2-34152-4
5000	ON TAPE, REEL	4	2-34152-2
1000	LOOSE PIECE	4	34152
QTY	PACKAGE TYPE	PART NO	

**AMP INCORPORATED**  
**CUSTOMER SERVICE SYSTEMS**

FOR ADDITIONAL PRODUCT INFORMATION OR COPIES OF DRAWINGS AND TECHNICAL DOCUMENTS  
 PRODUCT INFORMATION CENTER  
 1-800-522-6752

FOR APPLICATION TOOLING INFORMATION  
 TOOLING ASSISTANCE CENTER  
 1-800-722-1111

FOR ORDER ENTRY  
 1-800-526-5142

MAX RECOMMENDED OPERATING TEMPERATURE:  
 105°C [221°F]

VOLTAGE RATING:  
 600V MAX  
 (1000V FIXTURE OR SIGN)

CIRCULAR MIL AREA:  
 0.26-1.65mm<sup>2</sup> [509-3260]  
 SOLID OR STRANDED

THIS DRAWING IS A CONTROLLED DOCUMENT.

DIMENSIONS: mm[INCHES]

TOLERANCES UNLESS OTHERWISE SPECIFIED:  
 0 PLC ± -  
 1 PLC ± -  
 2 PLC ± 0.20[.008]  
 3 PLC ± -  
 4 PLC ± -  
 ANGLES ± -

MATERIAL: SEE NOTES  
 FINISH: TIN PER ASTM B545

DWN: DK SCHRUM 08/06/92  
 CHK: RE HERSEY 11/10/92  
 APVD: M BARNABA 11/10/92

PRODUCT SPEC: UL 486A  
 APPLICATION SPEC: -

WEIGHT: -

**STE** TE Connectivity

NAME: TERMINAL, RING TONGUE, PLASTI-GRIP WIRE SIZE, 22-16 AWG

SIZE: A3 CAGE CODE: 00779 DRAWING NO: C-34152 RESTRICTED TO: -

CUSTOMER DRAWING SCALE: 4:1 SHEET: 1 OF 1 REV: M1