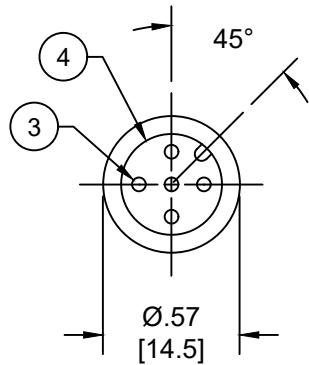
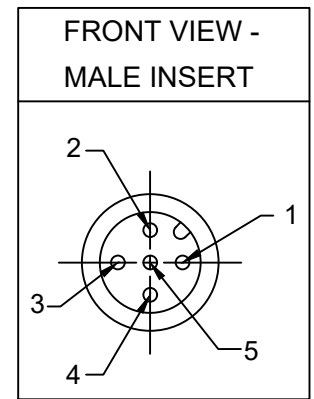
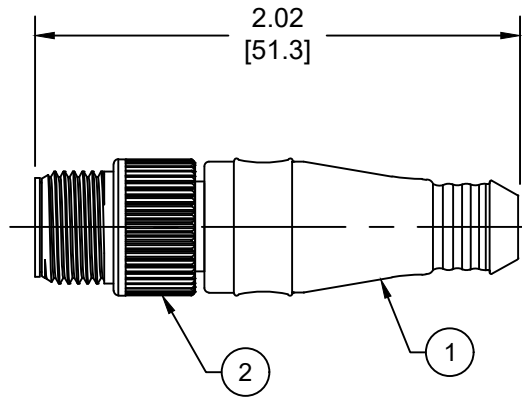


MATERIAL NUMBER	ENGINEERING NUMBER
1200390001	DND100L

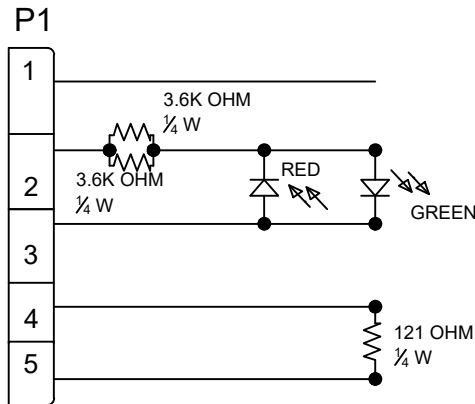


FRONT VIEW - MALE INSERT



NOTES:

- MATERIAL: AS NOTED
- FINISH: AS NOTED
- ELECTRICAL:
VOLTAGE: 30VDC
CURRENT: 4A
- TEMP RATING: 0°C TO +80°C ^(B)
- PROTECTION: IP67 (WHEN MATED)
- COUPLING THREAD: M12 X 1
- ALL DIMENSIONS ARE FOR REFERENCE UNLESS TOLERANCED OR NOTED OTHERWISE



WIRING DIAGRAM

4	INSERT	NYLON	BLACK
3	CONTACT PIN	COPPER ALLOY	GOLD OVER NICKEL
2	M12 COUPLNG NUT	ZINC DIE CAST	BLACK E-COATED
1	OVERMOLD	PUR	CLEAR
ITEM	COMPONENT	MATERIAL	FINISH

DOCUMENT STATUS	P1	RELEASE DATE	2021/07/14	21:16:08
-----------------	----	--------------	------------	----------

FUNCTIONAL SYMBOLS	THIS DRAWING CONTAINS INFORMATION THAT IS PROPRIETARY TO MOLEX ELECTRONIC TECHNOLOGIES, LLC AND SHOULD NOT BE USED WITHOUT WRITTEN PERMISSION				
$F_A=0$ $F_C=0$ $F_P=0$	DIMENSION UNITS	SCALE	CURRENT REV DESC: ITEM #1 WAS PVC. UPDATED TEMP RATING		
	INCH/MM	NTS			
DIVISIONAL SYMBOLS	GENERAL TOLERANCES (UNLESS SPECIFIED)		EC NO: 669893		
		mm	INCH	DRWN: ABENJAMINLW 2021/04/21	
	4 PLACES	±----	±----	2021/07/12	
	3 PLACES	±----	±0.005	CHK'D: RSTONE	
	2 PLACES	±0.13	±0.01	APPR: BWOODMAN 2021/07/14	
	1 PLACE	±0.25	±0.02	INITIAL REVISION:	
	0 PLACES	±----	±----	DRWN: TWOLDEGE 2010/01/11	
	ANGULAR TOL ± 0.5 °		APPR: JFMURPHY 2010/01/20		
	DRAFT WHERE APPLICABLE MUST REMAIN WITHIN DIMENSIONS		THIRD ANGLE PROJECTION	DRAWING	SHEET NUMBER
				A-SIZE	120039
				MATERIAL NUMBER	CUSTOMER
				SEE CHART	GENERAL MARKET
				DOCUMENT NUMBER	DOC TYPE/DOC PART/REVISION
				SD-120039-001	PSD 001 B
					1 OF 1