



SMA Male to SMA Male Radius Right Angle Passivated Stainless Steel Adapter

RF Adapters Technical Data Sheet

PE91496

Configuration

- SMA Male Connector 1
- SMA Male Connector 2
- 50 Ohm
- Radius Right Angle Body Geometry

Features

- Max VSWR of 1.35:1 up to 26 GHz
- SMA interface compliant with MIL-STD 348
- 30 μ m contact plating
- Gold Plated Beryllium Copper Contact

Applications

- General Purpose Test

Description

Pasternack's PE91496 SMA male to SMA male radius right angle adapter is part of our full line of RF components available for same-day shipping. The SMA connector mates mechanically with commercially available 3.5mm and 2.92mm (K) connectors. Our SMA to SMA adapter has a male to male gender configuration built of durable stainless steel. PE91496 SMA male to SMA male adapter operates to 26 GHz. The Pasternack RF adapter provides good VSWR of 1.35:1 maximum. This radius right angle SMA to SMA adapter allows for easier connections in tight spaces.

RF adapters are often used to enable connections between two connector types that would otherwise not mate. Certain adapter configurations can also be used to protect connectors on expensive equipment where the number of connect/disconnect cycles is high. An RF, microwave or millimeter wave adapter is connected to the equipment, and the commonly changed connection is made with the adapter which can be easily replaced when it wears out after high usage; such adapters are referred to as connector savers. Pasternack also offers bulkhead, panel mount, hermetically sealed, reverse polarity, and isolated ground adapter varieties to serve all of your RF, microwave and millimeter wave needs.

Electrical Specifications

Description	Minimum	Typical	Maximum	Units
Frequency Range	DC		26	GHz
VSWR			1.35:1	

Performance by Frequency

Description	F1	F2	F3	F4	F5	Units
Frequency Range	DC to 18	18 to 26				GHz
VSWR, Max	1.25:1	1.35:1				

Electrical Specification Notes:
Values at 25°C, sea level.

Click the following link (or enter part number in "SEARCH" on website) to obtain additional part information including price, inventory and certifications: [SMA Male to SMA Male Radius Right Angle Passivated Stainless Steel Adapter PE91496](#)



SMA Male to SMA Male Radius Right Angle Passivated Stainless Steel Adapter

RF Adapters Technical Data Sheet

PE91496

Mechanical Specifications

Size

Length	0.555 in [14.1 mm]
Width	0.315 in [8 mm]
Height	0.555 in [14.1 mm]

Description	Connector 1	Connector 2
Type	SMA Male	SMA Male
Polarity	Standard	Standard
Interface Specification	MIL-STD 348	MIL-STD 348

Material Specifications

Description	Connector 1		Connector 2	
	Material	Plating	Material	Plating
Type	SMA Male		SMA Male	
Contact	Beryllium Copper	Gold 30 µin	Beryllium Copper	Gold 30 µin
Insulation	PTFE		PTFE	
Body	Passivated Stainless Steel		Passivated Stainless Steel	
Coupling Nut	Passivated Stainless Steel		Passivated Stainless Steel	

Compliance Certifications (see [product page](#) for current document)

SMA Male to SMA Male Radius Right Angle Passivated Stainless Steel Adapter from Pasternack Enterprises has same day shipment for domestic and International orders. Our RF, microwave and millimeter wave products maintain a 99.4% availability and are part of the broadest selection in the industry.

Click the following link (or enter part number in "SEARCH" on website) to obtain additional part information including price, inventory and certifications: [SMA Male to SMA Male Radius Right Angle Passivated Stainless Steel Adapter PE91496](#)

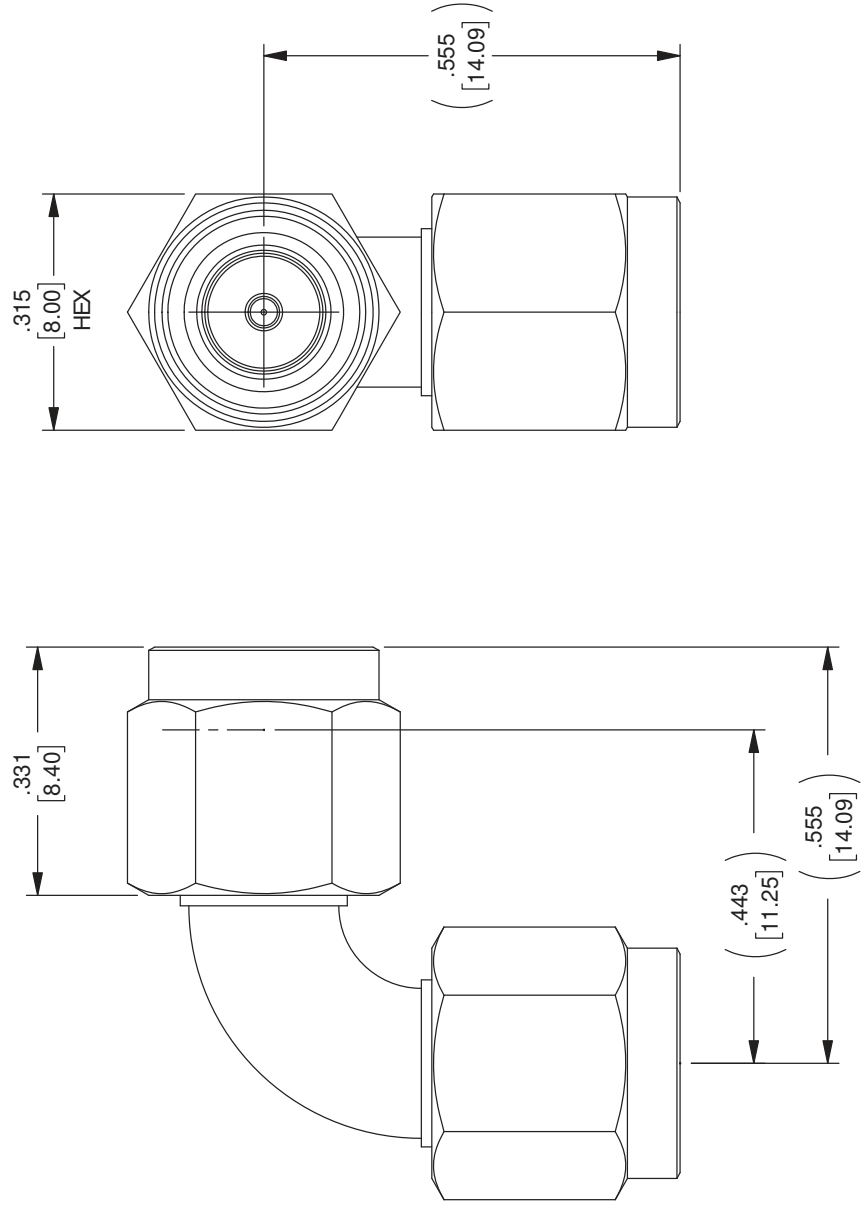
URL: <https://www.pasternack.com/sma-male-sma-male-radius-right-angle-adapter-pe91496-p.aspx>

The information contained in this document is accurate to the best of our knowledge and representative of the part described herein. It may be necessary to make modifications to the part and/or the documentation of the part, in order to implement improvements. Pasternack reserves the right to make such changes as required. Unless otherwise stated, all specifications are nominal. Pasternack does not make any representation or warranty regarding the suitability of the part described herein for any particular purpose, and Pasternack does not assume any liability arising out of the use of any part or documentation.

PE91496 CAD Drawing

SMA Male to SMA Male Radius Right Angle Passivated Stainless Steel Adapter

REVISIONS			
REV.	DESCRIPTION	DATE	APPROVED
A	INITIAL RELEASE	01/21/2021	SELLIS



UNLESS OTHERWISE SPECIFIED
LEADING DIMENSIONS ARE IN INCHES
DIMENSIONS IN [] ARE MILLIMETERS

TOLERANCES:
 X = +2 [5.08] FRACTIONS
 XX = +.02 [.51] +.132
 .XXX = ±.005 [.13] ANGLES ± 1°
 CABLE LENGTH (L) TOLERANCES:
 L ≤ 12 [305] = +1 [25] / -0
 12 [305] < L ≤ 60 [1524] = +2 [51] / -0
 60 [1524] < L ≤ 120 [3048] = +4 [102] / -0
 120 [3048] < L ≤ 300 [7620] = +6 [152] / -0
 300 [7620] < L = +5% / -0

ALL DIMENSIONS SHOWN
ARE FOR REFERENCE ONLY.

PE PASTERNAK
an INFINITI® brand

Pasternack Enterprises, Inc.
 P. O. Box 16759, Irvine, CA 92623.
 Phone: 1.949.261.1920 | 1.866.727.8376
 Fax: 1.949.261.7451
 Website: www.pasternack.com
 E-mail: sales@pasternack.com

THIRD-ANGLE PROJECTION

THE INFORMATION AND
DESIGN IN THIS DOCUMENT
IS THE PROPERTY OF
PASTERNAK CORPORATION
ALL RIGHTS RESERVED.

SHEET 1 OF 1

SCALE N/A

REV A

SIZE A CAGE CODE 53919 DRAWN BY DFRISIELLO ITEM NO. PE91496

THESE COMMODITIES, TECHNOLOGY OR SOFTWARE WERE EXPORTED FROM THE UNITED STATES IN ACCORDANCE WITH THE EXPORT ADMINISTRATION REGULATIONS. DIVERSION CONTRARY TO U.S. LAW PROHIBITED.