

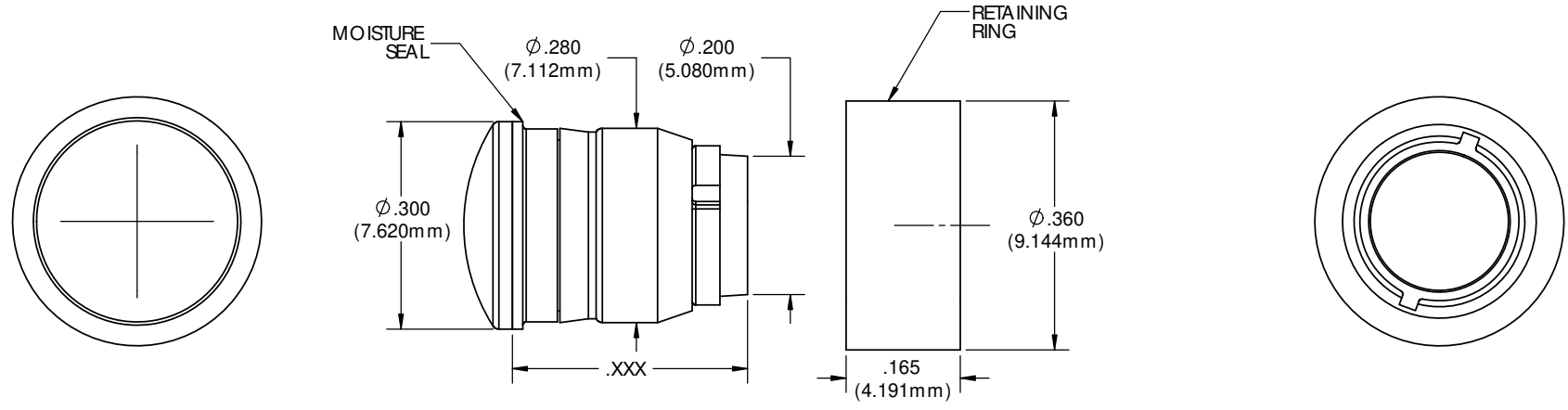
8 7 6 5 4 3 2 1

**NOTES:**

1. MOUNTING: Mounts in a  $\phi .281 \pm .002$  (7.14mm  $\pm$  0.051) panel hole on .375 (9.53mm) centers. Panel thickness .031 (.8mm) to .125 (3.18mm). Panel hole shall be deburred, but not chamfered.
2. ASSEMBLY: Insert Litepipe through the panel hole and press on retaining ring to secure unit to panel. Slide PCB into position aligning LED with the end of the Litepipe unit.
3. MATERIAL: Litepipe - Acrylic (Clear optical grade) UL 94-HB  
 Lens - Polycarbonate UL 94-V2  
 Seal - TPE  
 Retaining Ring - Polypropylene (Black)
4. Meets NEMA 4/IP 56 standards
5. U.S. & Foreign Pat. Issued



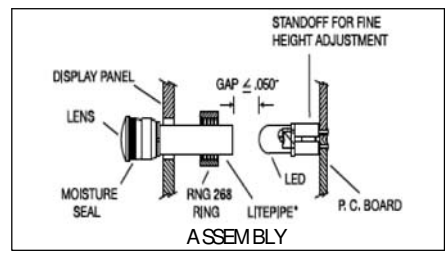
REVISIONS					
ECN #	REV.	DESCRIPTION	DATE	INITIALS	CHKD
	001	REVISED PER ECR 111009AZ01	8/18/10	KH	DPZ
	002	MODIFIED GENERAL TOLERANCE .XX	11/14/11	RL	AZ



**ORDERING CODE: LMS XXX XXX**

LITEPIPE		LENS	
XXX =	LENGTH	XXX =	COLOR
033	.330"	RTP	RED TRANSPARENT
053	.530"	ATP	AMBER TRANSPARENT
073	.730"	GTP	GREEN TRANSPARENT
093	0.93"	BTP	BLUE TRANSPARENT
113	1.13"	YTP	YELLOW TRANSPARENT
133	1.33"	C TP	CLEAR TRANSPARENT
		GLO	WHITE TRANSLUCENT

CUSTOM LENGTHS AVAILABLE UPON REQUEST



<small>DIMENSION STYLE: INCHES / MM                  GENERAL TOLERANCES UNLESS OTHERWISE SPECIFIED:</small>		APPROVAL	DATE
INCHES	MM	DRAWN K HOWARD	8/18/10
X	± .020 ± .508	CHECKED DPZ	8/19/10
XX	± .015 ± .381		
XXX	± .005 ± .127		
<small>ANGLE: 1°</small>		MATERIAL	
<small>SEE ALL DIMENSIONS AND SHARP EDGES 90° MAX</small>		SEE NOTES	
<small>THIRD ANGLE PROJECTION</small>		FINISH	
<small>PROPRIETARY AND CONFIDENTIAL                  THE INFORMATION CONTAINED IN THIS DRAWING IS THE SOLE PROPERTY OF VISUAL COMMUNICATIONS COMPANY, INC. ANY REPRODUCTION IN PART OR AS A WHOLE WITHOUT THE WRITTEN PERMISSION OF VISUAL COMMUNICATIONS COMPANY, INC IS PROHIBITED.</small>		SEE NOTES	
DO NOT SCALE DRAWING			

<small>190 BOSTICK BLVD, SUITE 101 SAN MARCOS, CA 92069 U.S.A.                  PHONE: (760) 560-1300, FAX: (760) 560-1301 EMAIL: vccsales@vcc-lite.com</small>		
TITLE:		
5MM MOISTURE SEALED LITEPIPE		
SIZE	DWG. NO.	REV
B	LMS XXX XXX	002
SCALE: 6:1		SHEET 1 OF 1

8 7 6 5 4 3 2 1