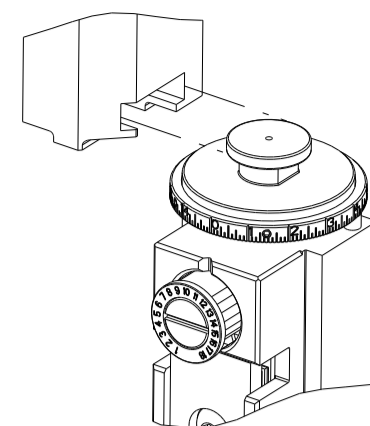


PART NUMBER	REVISION	DESCRIPTION	FEED TYPE
2150154-2	C	FINE CRIMP HEIGHT ADJUST	PNEUMATIC
7-2150154-2	C	PNEUMATIC AND CRIMP TOOLING KIT	PNEUMATIC
7-2150154-7	A	CRIMP TOOLING KIT	-

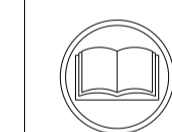
ATLANTIC VERSION TERMINATOR INTERFACE ADAPTER



APPLICATOR DATA		
CRIMP	SIZE	TYPE
WIRE	4.06 mm [1.60]	F
INSUL	6.35 mm [2.50]	F
APPL INSTRUCTIONS 408-35043		

TERMINAL DATA: TE TERMINAL		TE CRIMP SPECIFICATION	
TERMINAL NAME: FASTIN-FASTON Connector 9.5mm series, TAB CONTACT			
WIRE STRIP LENGTH		INSULATION DIAMETER RANGE	
6.60-7.10 mm [1.260-.280 IN]		∅3.40-5.10 mm [1.134-.201 IN]	
TERMINAL APPLICATION SPECIFICATION	114-20021	-	-
TERMINALS APPLIED			
TE TERMINAL	TE TERMINAL	TE TERMINAL	TE TERMINAL
280075-2	280075-4		

WIRE SIZE	CRIMP HEIGHT mm [INCH]	CRIMP HEIGHT REFERENCE SETTING
6.00mm2	3.20+/-0.05 [1.126+/-0.002]	10.6
4.00mm2	3.00+/-0.05 [1.118+/-0.002]	12.6
0.75+2.50mm2	2.90+/-0.05 [1.114+/-0.002]	13.6



- △ RECOMMENDED SPARE PARTS
  - △ REFER TO SUPPLIED INSTRUCTION SHEET FOR CLEANING, LUBRICATION AND STORAGE OF APPLICATOR.
  - △ APPLY PART NUMBER 1-23419-5 LOCTITE TO THREADS OF ITEMS 50. APPLY PART NUMBER 2-23419-6 LOCTITE TO THREADS OF ITEM 242.
  - △ CRIMP HEIGHT REFERENCE SETTING WAS THE SETTING USED WHEN THE APPLICATOR WAS QUALIFIED AT THE FACTORY. ADJUSTMENT MAY BE NECESSARY WHEN RUNNING APPLICATOR IN THE FIELD.
  - △ TERMINAL PITCH NOT COMPATIBLE WITH MECHANICAL FEED.
  - △ CUT TO LENGTH AT ASSEMBLY.
7. UNLESS SPECIFIED OTHERWISE TORQUE VALUES SHALL BE USED PER DOCUMENT, 101-35000.

**\*WARNING**  
ON INSTALLATION, SET WIRE DISC TO CRIMP HEIGHT REFERENCE SETTING FOR LARGEST WIRE SIZE. CRIMP HEIGHT REFERENCE SETTINGS GREATER THAN THE VALUE SHOWN MAY CAUSE DAMAGE TO THE CRIMP TOOLING, REFER TO THE INSTRUCTION SHEET FOR PROPER SETUP AND ADJUSTMENTS.

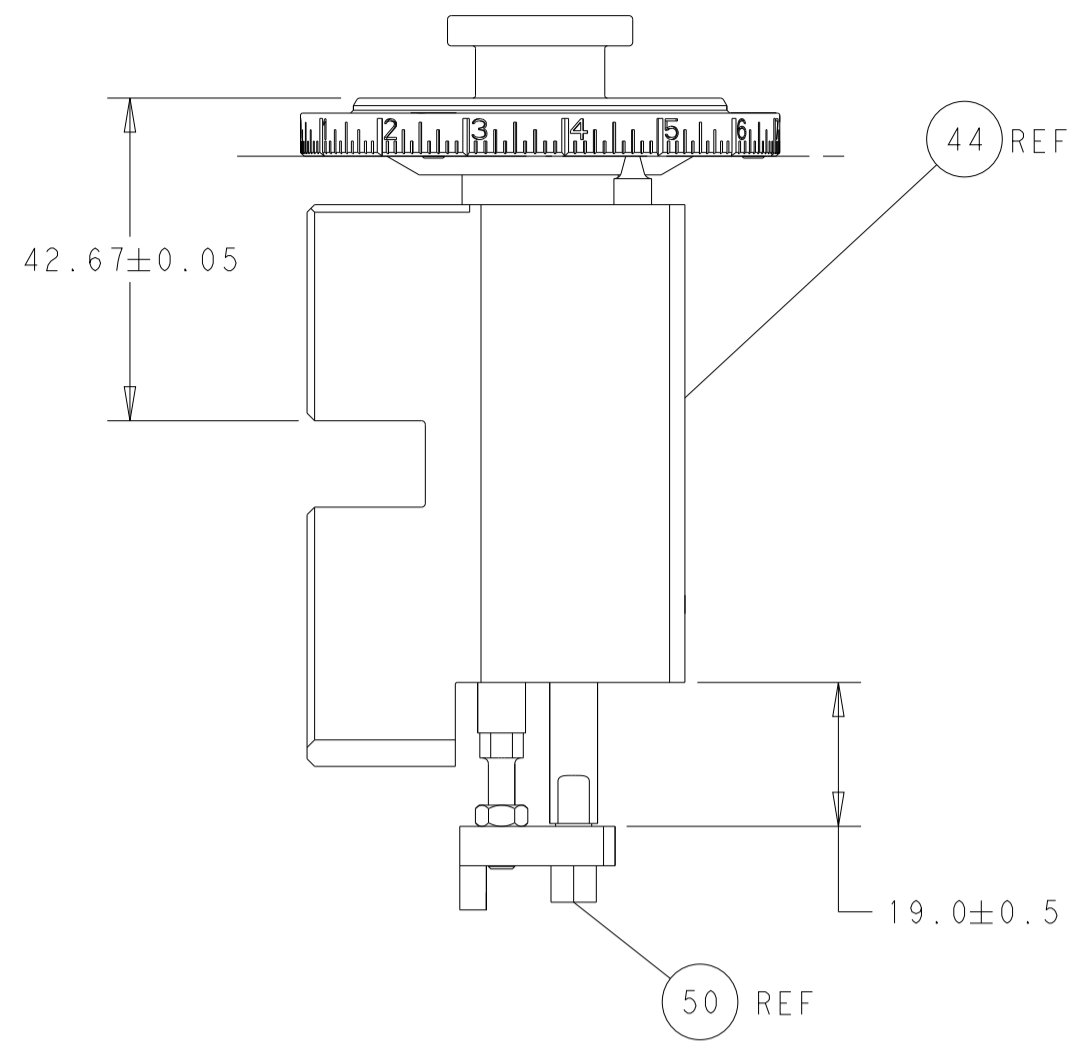
ATLANTIC VERSION  
Shown on sheets 1 of 4 & 2 of 4  
(Pacific version shown on sheets 3 of 4 & 4 of 4)

LOC	DIST	REVISIONS					
A	66	P	LTN	DESCRIPTION	DATE	OWN	APVD
		1		DEVELOPMENT	22FEB2012	L.Z	S.X
		B		ECR-21-113413	10SEP2021	F.J	R.K
		C		ECR-21-120088	09NOV2021	F.Z	R.K

-	1	1	2119641-1	FEED CAM, AIR FEED	248	
-	1	1	2119082-9	CAM, SNAIL, INSULATION ADJUSTMENT	244	
-	1	1	2079764-1	WASHER, WAVE SPRING, CREST-TO-CREST	243	
△	1	1	2119083-1	RETAINER, INSULATION DIAL	242	
-	1	1	2844940-4	AIR FEED MODULE	238	
-	1	1	1-18028-0	WASHER, FLAT, REG M8	192	
-	1	1	6-993111-6	PIN, SLOTTED SPRING 3.0 X 14.0	177	
-	1	1	8-22280-7	SPRING, COMPRESSION	176	
-	1	1	1752353-2	GUIDE PIN,HOLDDOWN	175	
-	1	1	1901680-2	GUIDE PIN,HOLDDOWN	174	
-	REF	REF	994970-2	COUNTER, MAGNETIC	164	
-	1	1	455888-5	SPACER, CRIMPER	82	
-	1	1	1803607-4	DOCUMENTATION PACKAGE	71	
-	2	2	2-18032-2	SCR, SET, FLT PNT, M3 X 10.0	70	
-	1	1	2119740-1	TAG, IDENTIFICATION	67	
-	2	2	2168078-1	SCREW, DRIVE, RH, RoHS, 2 x .188	66	
-	1	1	1901681-3	HOLDDOWN, TERMINAL	65	
-	1	1	2168083-2	SCR, SKT HD CAP, RoHS, M4 X 8.0	60	
-	1	1	5-18022-5	SCR, HEX HD CAP, M4 X 6.0	59	
△	4	4	2168400-4	SHCS, LOW HEAD, RoHS, M4 X 8	57	
△	2	2	1-2168083-5	SCR, SKT HD CAP, RoHS, M4 X 30	56	
-	2	2	5018030-1	NUT, HEX, REG, RoHS, M3	54	
-	2	2	986965-8	NUT, LOCK, HEX, TORQUE (M4)	53	
-	1	1	1-5018030-0	NUT, HEX, REG, RoHS, M3.5	52	
-	1	1	2063961-1	FEED FINGER	51	
△	1	1	1752354-4	STANDOFF,HOLD-DOWN	50	
-	1	1	18023-9	SCR, SKT HD CAP M4 X 6.0	49	
-	1	1	2119655-5	APPLICATOR BASIC ASSEMBLY, EF	46	
-	1	1	1803517-1	RAM ASSEMBLY, EF ATLANTIC	44	
-	1	1	1803602-1	SCR, BHSC, RoHS (M8 X 25)	41	
-	8	8	1-18028-2	WASHER, FLAT, REG M4	33	
-	2	2	2168083-9	SCR, SKT HD CAP, RoHS, M4 X 20	31	
-	2	2	1-2168083-0	SCR, SKT HD CAP, RoHS, M4 X 10	29	
-	1	1	240639-1	STRIPPER (MACHINING)	27	
-	2	2	1-2168083-5	SCR, SKT HD CAP, RoHS, M4 X 30	25	
-	1	1	1752371-1	PLATE, STRIP GUIDE	24	
-	2	2	3-22281-8	SPRING, COMPRESSION	22	
-	1	1	1803292-1	DRAG	20	
-	1	1	4-1901696-4	STRIP GUIDE, REAR	19	
-	1	1	4-1901695-4	STRIP GUIDE, FRONT	18	
-	4	4	1-2079383-1	SCR, BHSC, RoHS (M6 X 12)	17	
-	1	1	7-240641-0	SPACER	16	
△	1	1	1752360-1	SPACER,HOLD-DOWN	13	
-	1	1	240644-1	PLATE, REAR SHEAR	11	
△	1	1	690482-4	PLATE, FRONT SHEAR	9	
△	1	2	1	1803000-7	ANVIL, COMBINATION, END FEED	8
△	1	1	1	1-690474-7	BLADE, SLUG	7
-	1	1	1	6-240641-8	SPACER	5
-	1	1	1	238011-2	BLOCK, CRIMPER SPACER	4
△	1	2	1	2-1633961-5	CRIMPER, INSULATION F PREMIUM	3
-	1	1	1	1-455888-7	SPACER, CRIMPER	2
△	1	2	1	456427-3	CRIMPER, WIRE	1
-	77	72	2	PART NO	DESCRIPTION	ITEM NO

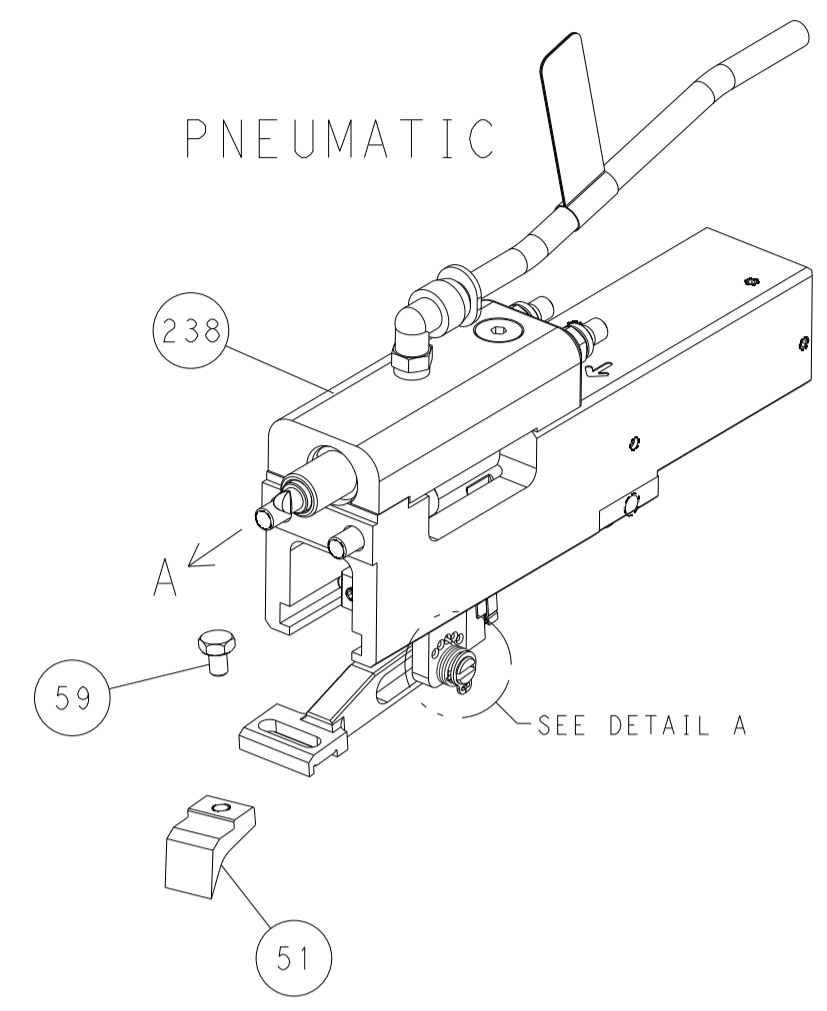
DIMENSIONS:		TOLERANCES UNLESS OTHERWISE SPECIFIED:		APVD		NAME	
mm	0 PLC ±	1 PLC ±	2 PLC ±	S.X	16FEB2012	L.ZHANG	16FEB2012
	3 PLC ±	4 PLC ±	ANGLES ±	S.X	16FEB2012	L.ZHANG	16FEB2012
	FINISH			TE Connectivity Harrisburg, PA 17105-3608			
MATERIAL		FINISH		WEIGHT		SCALE	
				A   00779		C=2150154	
Customer Accessible Production Drawing				SCALE		SHEET 1 OF 4	

LOC	DIST	REVISIONS			
P	LTN	DESCRIPTION	DATE	OWN	APVD
A	66	SEE SHEET 1			

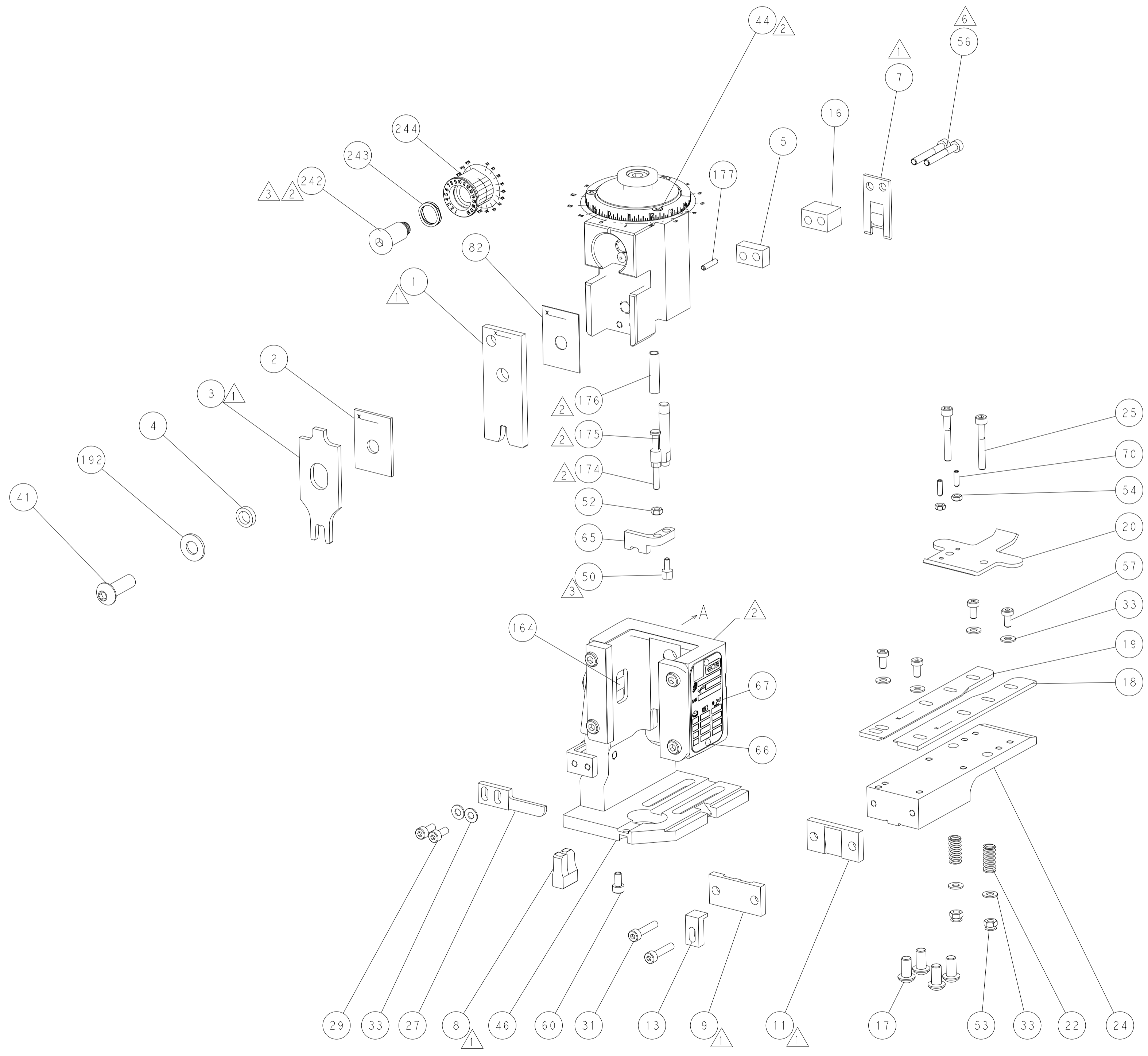
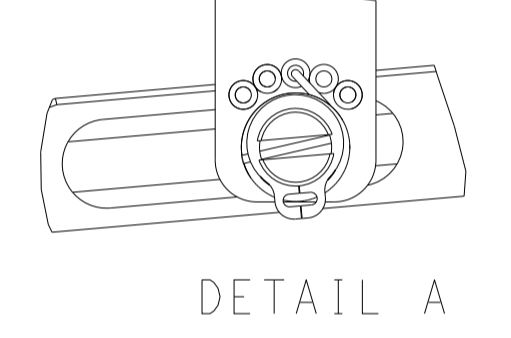


RAM AND HOLDDOWN SET-UP

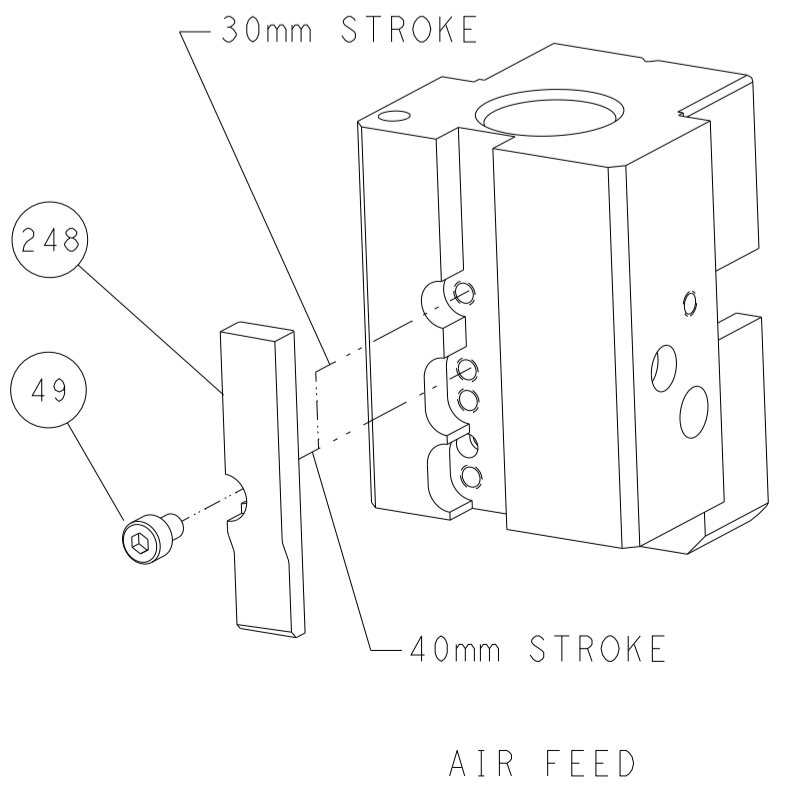
FEED TYPE



FEED SPRING SETTING POSITION



CAM POSITION

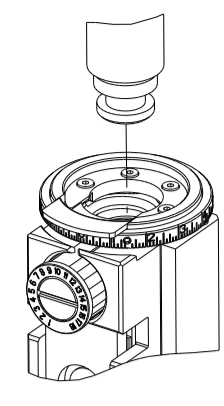


ATLANTIC VERSION  
 Shown on sheets 1 of 4 & 2 of 4  
 (Pacific version shown on sheets 3 of 4 & 4 of 4)

<small>THIS DRAWING IS UNPUBLISHED. RELEASED FOR PUBLICATION BY TYCO ELECTRONICS CORPORATION. ALL RIGHTS RESERVED.</small> DIMENSIONING AND TOLERANCING PER ASME Y14.5M-2009		DWN L. ZHANG 16FEB2012 CHK L. ZHANG 16FEB2012 APVD S. XI 16FEB2012	NAME Ocean End Feed Applicator SIZE A1 CAGE CODE 00779 DRAWING NO. C=2150154	TE Connectivity Harrisburg, PA 17105-3608
DIMENSIONS: mm TOLERANCES UNLESS OTHERWISE SPECIFIED: 0 PLC ± 1 PLC ± 2 PLC ± 3 PLC ± 4 PLC ± ANGLES ± MATERIAL - FINISH -	TOLERANCES UNLESS OTHERWISE SPECIFIED: 0 PLC ± 1 PLC ± 2 PLC ± 3 PLC ± 4 PLC ± ANGLES ± MATERIAL - FINISH -	WEIGHT - SCALE 1:1 SHEET 2 OF 4 REV C	RESTRICTED TO Customer Accessible Production Drawing	

PART NUMBER	REVISION	DESCRIPTION	FEED TYPE
2-2150154-2	C	FINE CRIMP HEIGHT ADJUST	PNEUMATIC
7-2150154-7	A	CRIMP TOOLING KIT	-

PACIFIC VERSION TERMINATOR  
 INTERFACE ADAPTER



APPLICATOR DATA		
CRIMP	SIZE	TYPE
WIRE	4.06 mm [1.160]	F
INSUL	6.35 mm [1.250]	F
APPL INSTRUCTIONS 408-35043		

TERMINAL DATA: TE TERMINAL		TE CRIMP SPECIFICATION	
TERMINAL NAME: FASTIN-FASTON Connector 9.5mm series. TAB CONTACT			
WIRE STRIP LENGTH 6.60-7.10 mm [1.260-.280 IN]		INSULATION DIAMETER RANGE Ø3.40-5.10 mm [1.134-.201 IN]	
TERMINAL APPLICATION SPECIFICATION	114-20021	-	-
TERMINALS APPLIED			
TE TERMINAL	TE TERMINAL	TE TERMINAL	TE TERMINAL
280075-2	280075-4		

WIRE SIZE	CRIMP HEIGHT mm [INCH]	CRIMP HEIGHT REFERENCE SETTING
6.00mm2	3.20+/-0.05 [1.126+/-0.002]	10.6
4.00mm2	3.00+/-0.05 [1.118+/-0.002]	12.6
0.75+2.50mm2	2.90+/-0.05 [1.114+/-0.002]	13.6

- 1 RECOMMENDED SPARE PARTS
  - 2 REFER TO SUPPLIED INSTRUCTION SHEET FOR CLEANING, LUBRICATION AND STORAGE OF APPLICATOR.
  - 3 APPLY PART NUMBER 1-23419-5 LOCTITE TO THREADS OF ITEMS 50. APPLY PART NUMBER 2-23419-6 LOCTITE TO THREADS OF ITEM 242.
  - 4 CRIMP HEIGHT REFERENCE SETTING WAS THE SETTING USED WHEN THE APPLICATOR WAS QUALIFIED AT THE FACTORY. ADJUSTMENT MAY BE NECESSARY WHEN RUNNING APPLICATOR IN THE FIELD.
  - 5 TERMINAL PITCH NOT COMPATIBLE WITH MECHANICAL FEED.
  - 6 CUT TO LENGTH AT ASSEMBLY.
7. UNLESS SPECIFIED OTHERWISE TORQUE VALUES SHALL BE USED PER DOCUMENT, 101-35000.

**\*WARNING**  
 ON INSTALLATION, SET WIRE DISC TO CRIMP HEIGHT REFERENCE SETTING FOR LARGEST WIRE SIZE. CRIMP HEIGHT REFERENCE SETTINGS GREATER THAN THE VALUE SHOWN MAY CAUSE DAMAGE TO THE CRIMP TOOLING, REFER TO THE INSTRUCTION SHEET FOR PROPER SETUP AND ADJUSTMENTS.

PACIFIC VERSION  
 Shown on sheets 3 of 4 & 4 of 4  
 (Atlantic version shown on sheets 1 of 4 & 2 of 4)

LOC	DIST	REVISIONS					
		P	LTN	DESCRIPTION	DATE	OWN	APVD
A	66	-	-	SEE SHEET 1	-	-	-

-	1	2119082-9	CAM, SNAIL, INSULATION ADJUSTMENT	244
-	1	2079764-1	WASHER, WAVE SPRING, CREST-TO-CREST	243
-	1	2119083-1	RETAINER, INSULATION DIAL	242
-	1	2844940-4	AIR FEED MODULE	238
-	1	1-18028-0	WASHER, FLAT, REG M8	192
-	4	2079383-9	SCR, BHSC, RoHS (M6 X 20)	186
-	1	6-993111-6	PIN, SLOTTED SPRING 3.0 X 14.0	177
-	1	8-22280-7	SPRING, COMPRESSION	176
-	1	1752353-2	GUIDE PIN,HOLDDOWN	175
-	1	1901680-2	GUIDE PIN,HOLDDOWN	174
-	REF	994970-2	COUNTER, MAGNETIC	164
-	1	2119641-2	FEED CAM, AIR FEED	152
-	1	2168083-8	SCR, SKT HD CAP, RoHS, M4 X 16	144
-	1	2119655-6	APPLICATOR BASIC ASSEMBLY, EF	141
-	1	1803518-1	RAM ASSEMBLY, EF PACIFIC	140
-	1	455888-5	SPACER, CRIMPER	82
-	1	1803607-4	DOCUMENTATION PACKAGE	71
-	2	2-18032-2	SCR, SET, FLT PNT, M3 X 10.0	70
-	1	2119740-1	TAG, IDENTIFICATION	67
-	2	2168078-1	SCREW, DRIVE, RH, RoHS, 2 x .188	66
-	1	1901681-3	HOLDDOWN, TERMINAL	65
-	1	5-18022-5	SCR, HEX HD CAP, M4 X 6.0	59
-	4	2168400-4	SHCS, LOW HEAD, RoHS, M4 X 8	57
-	2	1-2168083-5	SCR, SKT HD CAP, RoHS, M4 X 30	56
-	2	5018030-1	NUT, HEX, REG, RoHS, M3	54
-	2	986965-8	NUT, LOCK, HEX, TORQUE (M4)	53
-	1	1-5018030-0	NUT, HEX, REG, RoHS, M3.5	52
-	1	2063961-1	FEED FINGER	51
-	1	1752354-4	STANDOFF,HOLD-DOWN	50
-	1	18023-9	SCR, SKT HD CAP M4 X 6.0	49
-	1	1803602-1	SCR, BHSC, RoHS (M8 X 25)	41
-	8	1-18028-2	WASHER, FLAT, REG M4	33
-	2	2168083-9	SCR, SKT HD CAP, RoHS, M4 X 20	31
-	2	1-2168083-0	SCR, SKT HD CAP, RoHS, M4 X 10	29
-	1	240639-1	STRIPPER (MACHINING)	27
-	2	1-2168083-5	SCR, SKT HD CAP, RoHS, M4 X 30	25
-	1	1752371-1	PLATE, STRIP GUIDE	24
-	2	3-22281-8	SPRING, COMPRESSION	22
-	1	1803292-1	DRAG	20
-	1	4-1901696-4	STRIP GUIDE, REAR	19
-	1	4-1901695-4	STRIP GUIDE, FRONT	18
-	1	7-240641-0	SPACER	16
-	1	1752360-1	SPACER,HOLD-DOWN	13
-	1	240644-1	PLATE, REAR SHEAR	11
-	1	690482-4	PLATE, FRONT SHEAR	9
1	1	1803000-7	ANVIL, COMBINATION, END FEED	8
-	1	1-690474-7	BLADE, SLUG	7
-	1	6-240641-8	SPACER	5
-	1	238011-2	BLOCK, CRIMPER SPACER	4
1	1	2-1633961-5	CRIMPER, INSULATION F PREMIUM	3
-	1	1-455888-7	SPACER, CRIMPER	2
1	1	456427-3	CRIMPER, WIRE	1

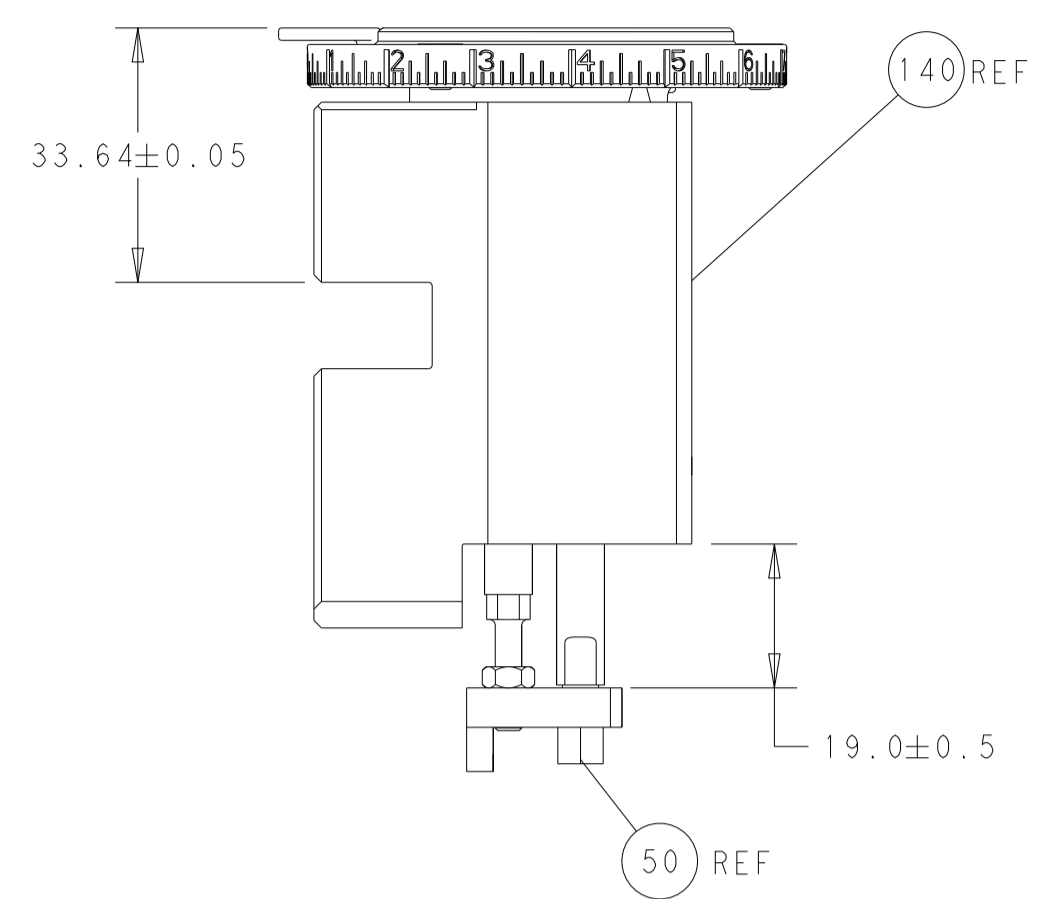
DIMENSIONS:		TOLERANCES UNLESS OTHERWISE SPECIFIED:		MATERIAL:		FINISH:	
mm	0 PLC ±	1 PLC ±	2 PLC ±	3 PLC ±	4 PLC ±	ANGLES	FINISH

CHK	DATE	DESCRIPTION
L. ZHANG	16FEB2012	16FEB2012
L. ZHANG	16FEB2012	16FEB2012
S. XI	16FEB2012	16FEB2012

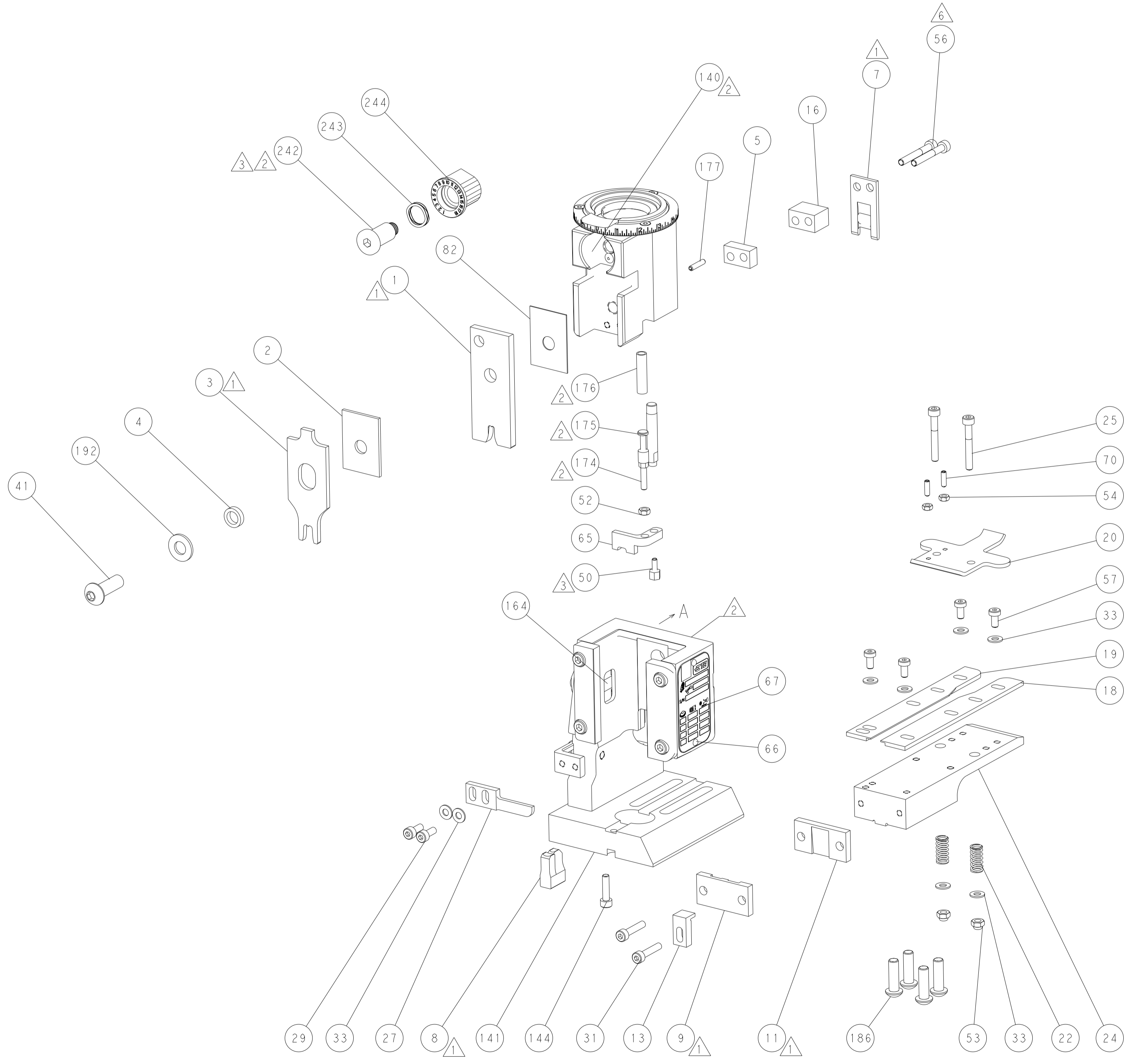
NAME	SIZE	CAGE CODE	DRAWING NO	RESTRICTED TO
Ocean End Feed Applicator	A1	00779	2150154	-

Customer Accessible Production Drawing SCALE 1:1 SHEET 3 OF 4 REV C

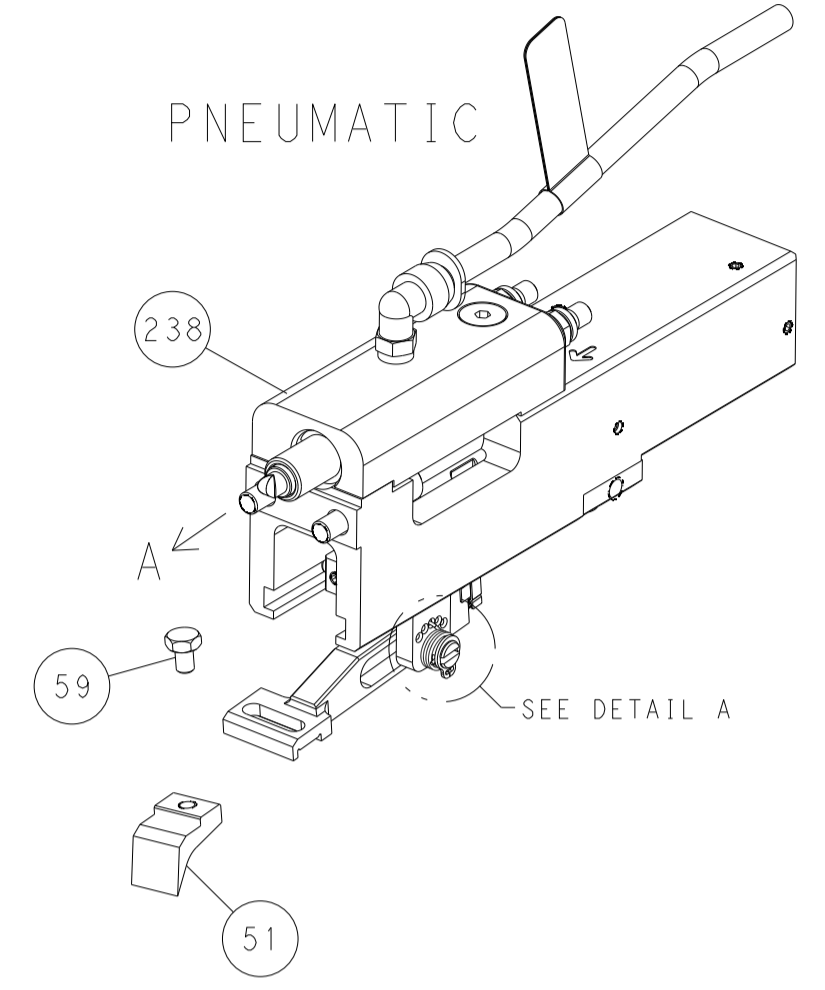
LOC	DIST	REVISIONS			
P	LTN	DESCRIPTION	DATE	OWN	APVD
A	66	SEE SHEET 1	-	-	-



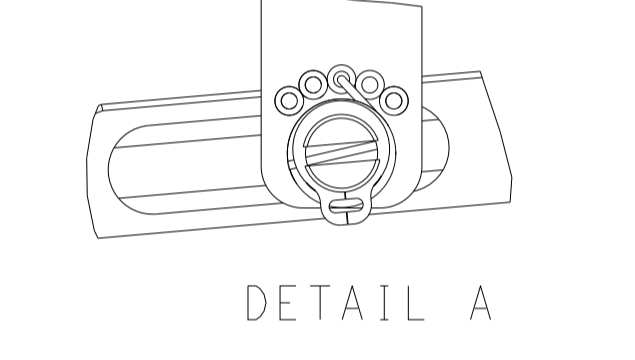
RAM AND HOLDDOWN SET-UP



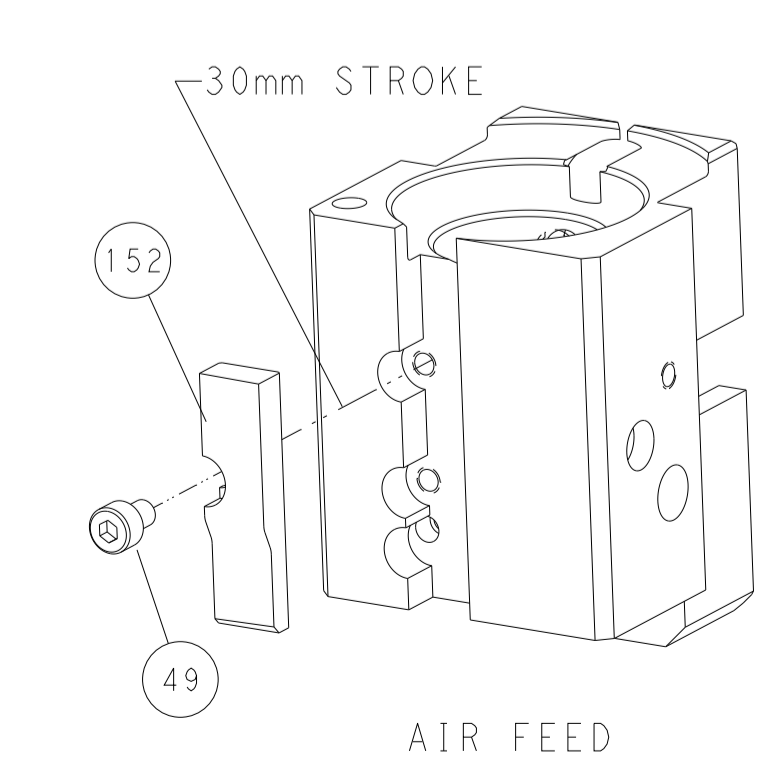
FEED TYPE



FEED SPRING SETTING POSITION



CAM POSITION



PACIFIC VERSION  
 Shown on sheets 3 of 4 & 4 of 4  
 (Atlantic version shown on sheets 1 of 4 & 2 of 4)

DIMENSIONS: mm DIMENSIONING AND TOLERANCING PER ASME Y14.5M-2009		TOLERANCES UNLESS OTHERWISE SPECIFIED: 0 PLC ± 1 PLC ± 2 PLC ± 3 PLC ± 4 PLC ± ANGLES ± FINISH		DWN L. ZHANG 16FEB2012 CHK L. ZHANG 16FEB2012 APVD S. XI 16FEB2012		NAME: Ocean End Feed Applicator SIZE: A1 CAGE CODE: 00779 DRAWING NO: C-2150154		RESTRICTED TO: - SCALE: 1:1 SHEET: 4 OF 4 REV: C	
MATERIAL: -				WEIGHT: -		CUSTOMER ACCESSIBLE PRODUCTION DRAWING		SCALE: 1:1 SHEET: 4 OF 4 REV: C	