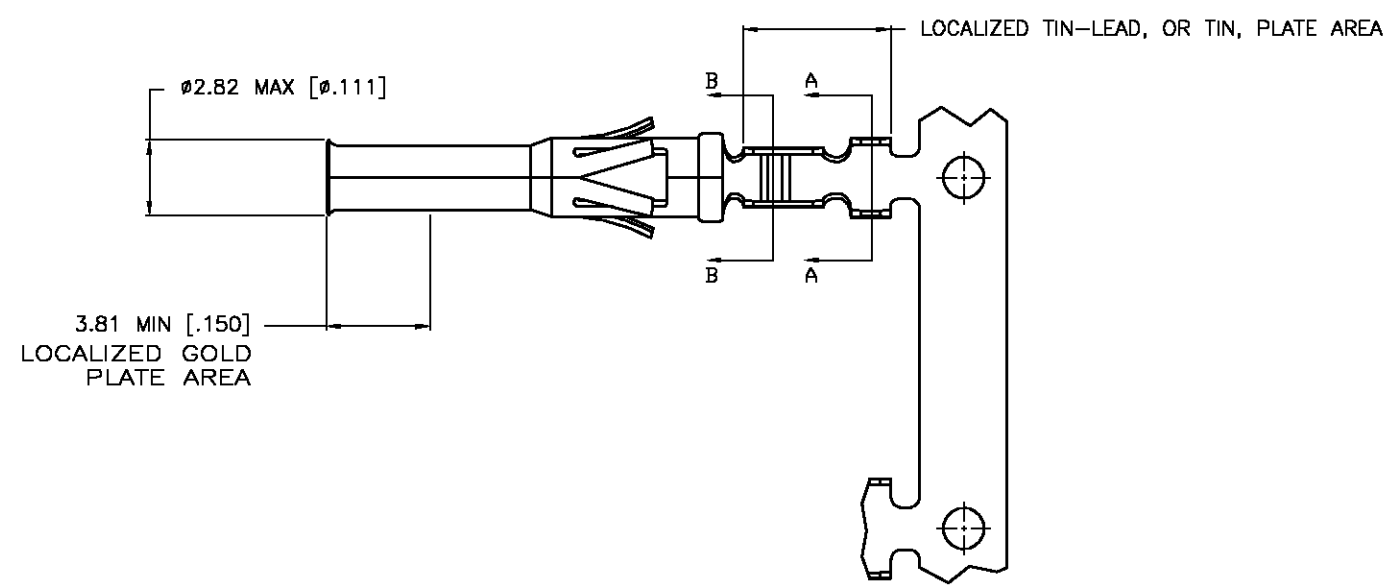
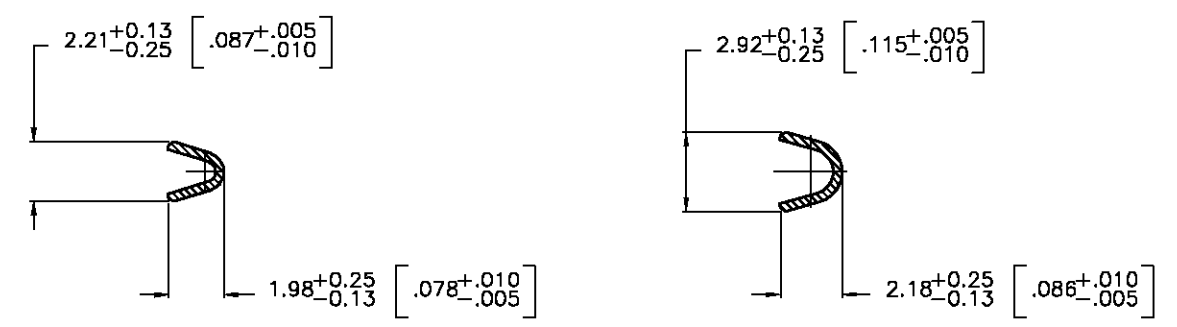
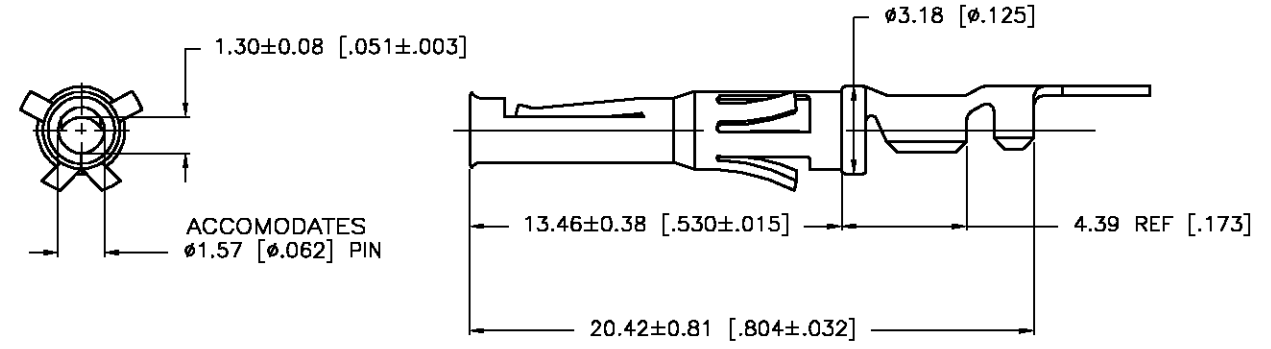
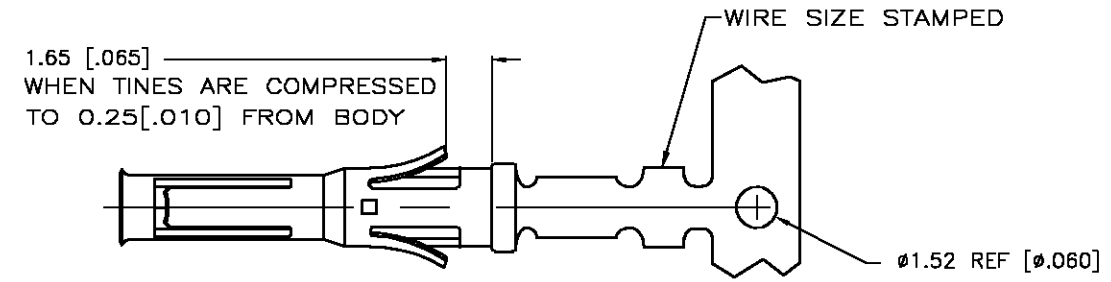


THIS DRAWING IS UNPUBLISHED. RELEASED FOR PUBLICATION  
 © COPYRIGHT BY TYCO ELECTRONICS CORPORATION. ALL RIGHTS RESERVED.

LOC	DIST	REVISIONS			
P	LTR	DESCRIPTION	DATE	DWN	APVD
BD	39				
	D	EC 0G3B-0317-03	24APR03	VF	GS



1. WIRE RANGE 24-20 AWG.
  2. INSULATION RANGE 1.02-2.03 [.040-.080] DIA.
  3. FOR LOOSE PIECE PART SEE DWG 66594.
- △ 0.76µm [.000030] MIN GOLD IN LOCALIZED GOLD PLATE AREA, 1.27µm [.000050] MIN TIN-LEAD IN LOCALIZED TIN-LEAD PLATE AREA, BOTH OVER 1.27µm [.000050] MIN NICKEL.
  - △ TIN PLATED.
  - △ GOLD PLATING PER MIL-G-45204, TIN PER MIL-T-10727
  - △ 0.76µm [.000030] MIN GOLD IN LOCALIZED GOLD PLATE AREA, 1.27µm [.000050] MIN TIN IN LOCALIZED TIN PLATE AREA, BOTH OVER 1.27µm [.000050] MIN NICKEL.

DESCRIPTION	FINISH	PART NUMBER
REVERSE REELED FOR MINI-APPLICATOR	△	1-66584-0
REVERSE REELED FOR MINI-APPLICATOR	△4	66584-4
REVERSE REELED FOR MINI-APPLICATOR	△4	66584-3
REVERSE REELED FOR MINI-APPLICATOR	△5	66584-2
REVERSE REELED FOR MINI-APPLICATOR	△5	66584-1

THIS DRAWING IS A CONTROLLED DOCUMENT.		DWN V. FURLER 09JUN2003	Tyco Electronics Corporation Harrisburg, PA 17105	
DIMENSIONS: MM [INCHES]	TOLERANCES UNLESS OTHERWISE SPECIFIED:	CHK G. STEINHAUER 09JUN03	NAME CONTACT, SOCKET, STRIP TYPE VI, MULTIMATE	
	0 PLC ± -	APVD G. STEINHAUER 09JUN03	SIZE A3	CAGE CODE 00779
	1 PLC ± -	PRODUCT SPEC -	DRAWING NO C-66584	RESTRICTED TO -
MATERIAL BRASS MIL-C-50	FINISH SEE TABLE △	APPLICATION SPEC -	SCALE 6:1	SHEET 1 OF 1
CUSTOMER DRAWING			REV D	