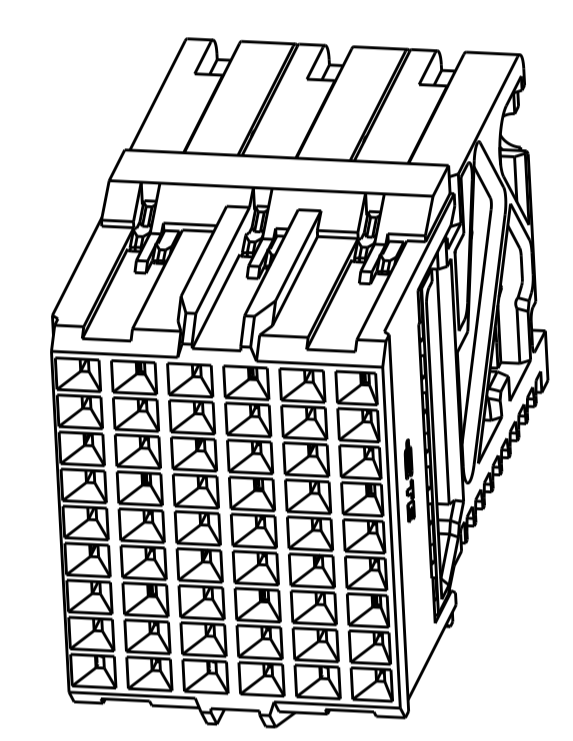
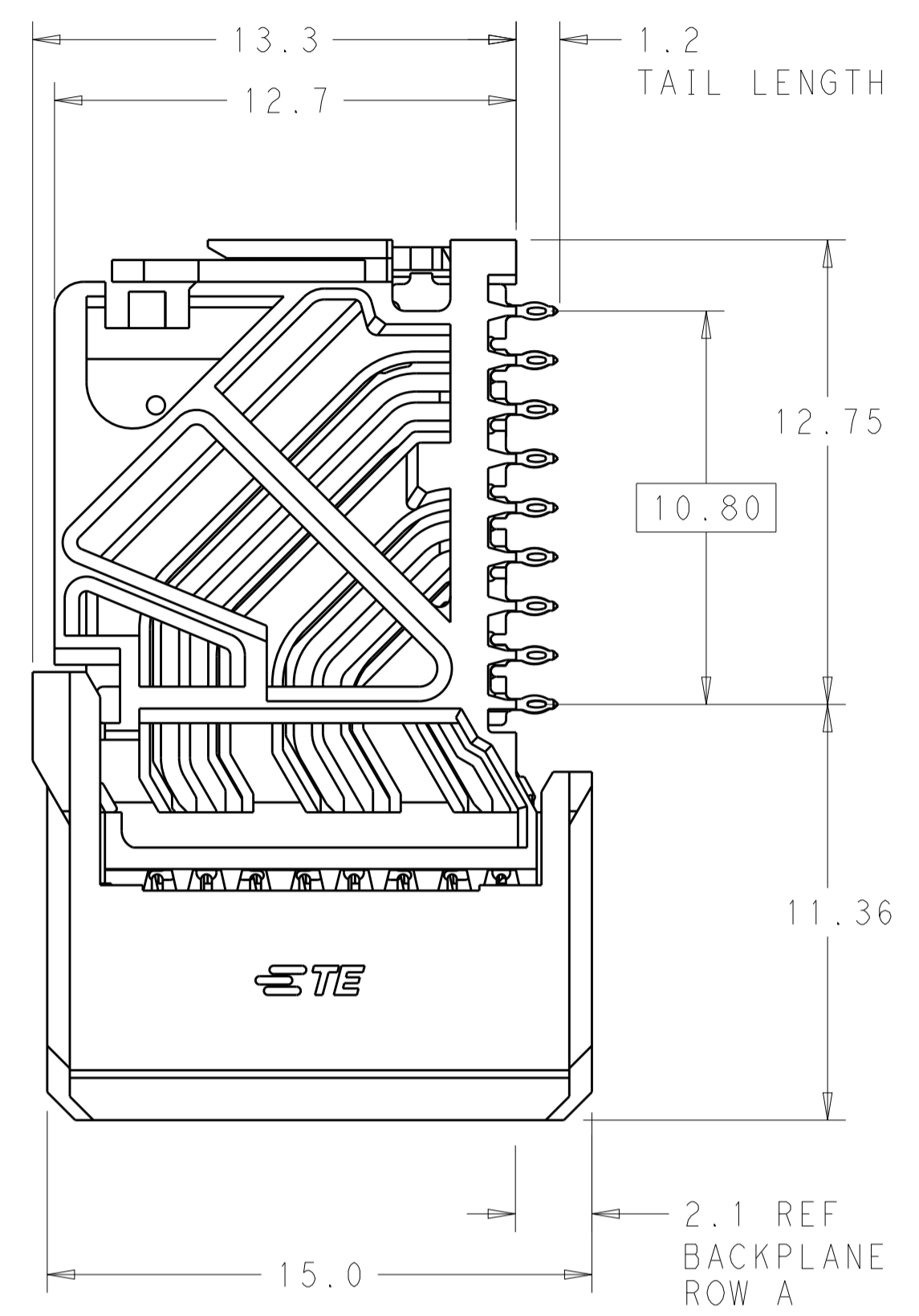
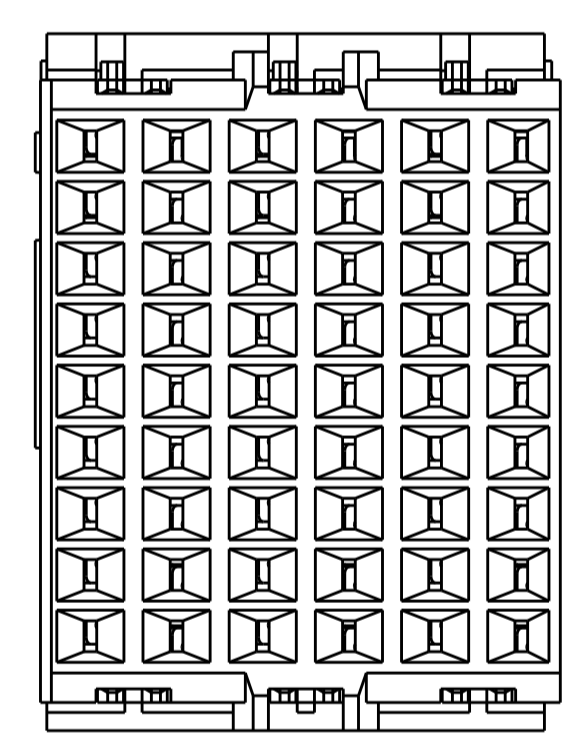
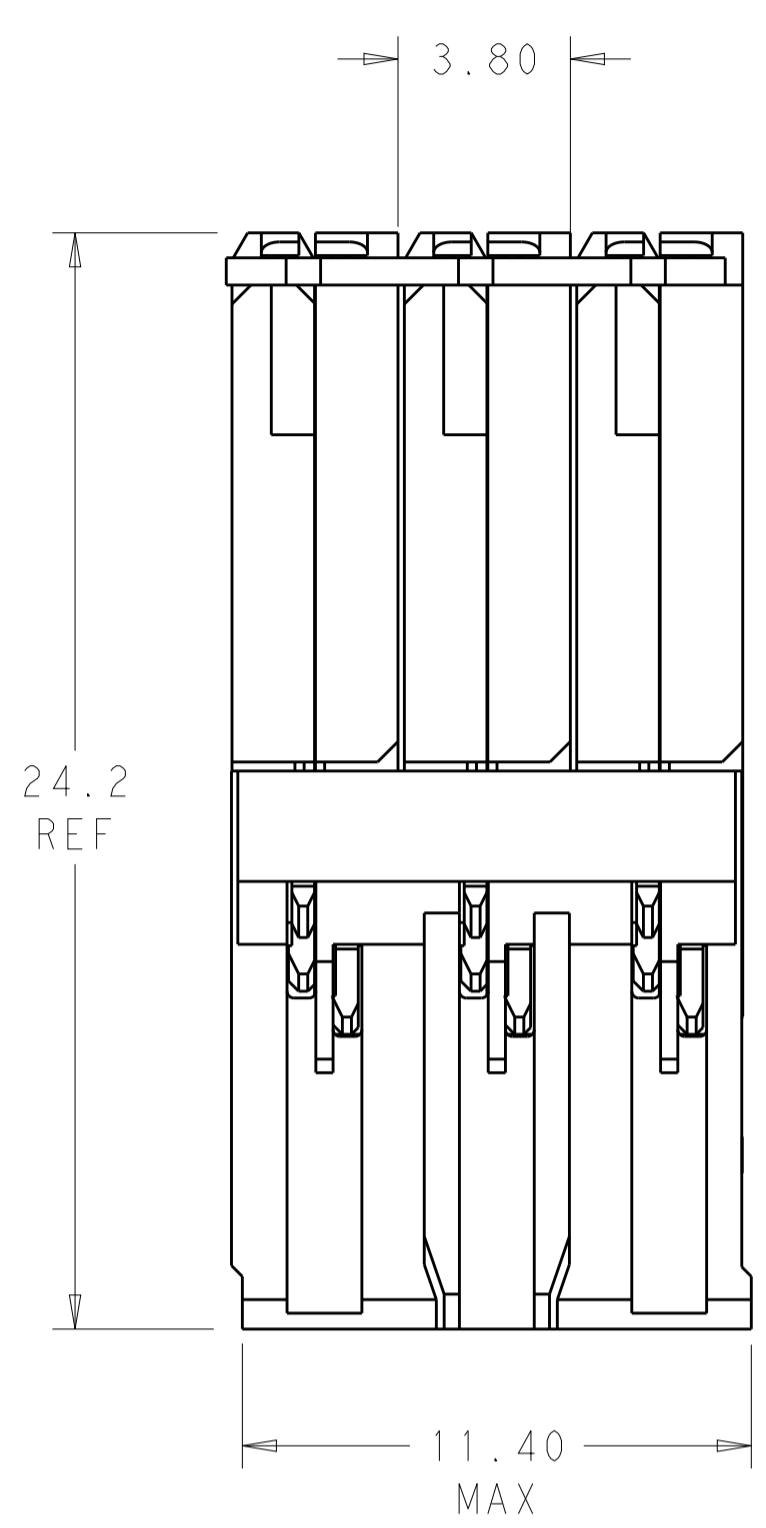
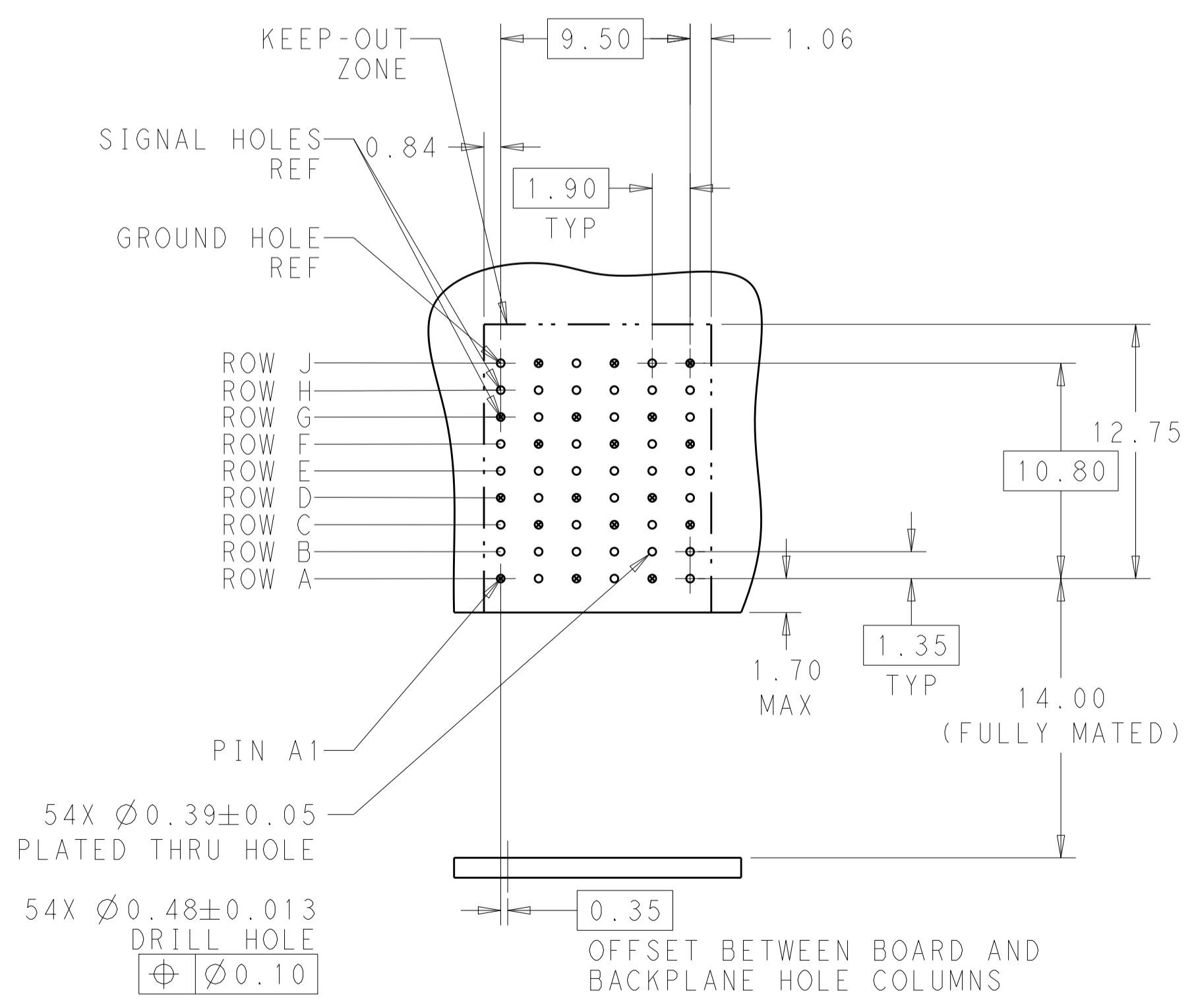


LOC		DIST		REVISIONS			
P	LTN	DESCRIPTION	DATE	DWN	APVD		
C1		REVISED PER ECO-14-018035	11MAR2015	AP	DD		



SCALE 4:1



RECOMMENDED PCB LAYOUT
 MIN BOARD THICKNESS 1.0

⚠ MATERIAL:
 HOUSING: LCP, GLASS FILLED, UL94V-0.
 TERMINALS: HIGH PERFORMANCE COPPER ALLOY.

⚠ FINISH:
 30μ" SELECTIVE GOLD IN CONTACT AREA. SELECTIVE TIN
 ON PCB TAILS, NICKEL OVERALL.

NONE	⚠	2132500-1
KEY POSITION	FINISH	PART NUMBER
STE TE Connectivity		
DIMENSIONS: mm TOLERANCES UNLESS OTHERWISE SPECIFIED: 0 PLC ± 1 PLC ±0.2 2 PLC ±0.10 3 PLC ± 4 PLC ± ANGLES ±		NAME: IMPACT, 3 PAIR, DAUGHTERCARD 6 COLUMN, UNGUIDED, SIGNAL MODULE, 0.39 EYELET SIZE: A1 CAGE CODE: 00779 DRAWING NO: 2132500
MATERIAL: ⚠ FINISH: SEE TABLE		WEIGHT: - CUSTOMER DRAWING: - SCALE: 6:1 SHEET: 1 OF 1 REV: C1