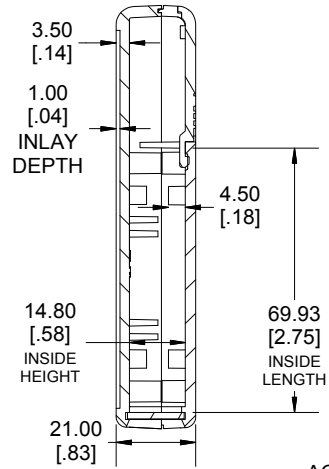
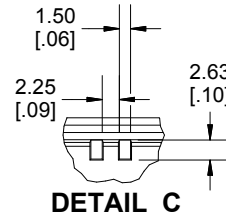


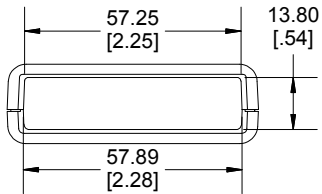
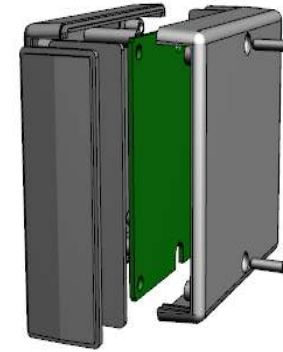
TOP VIEW



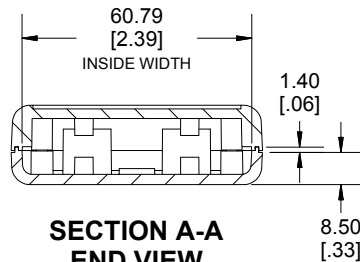
**SECTION B-B
SIDE VIEW**



DETAIL C

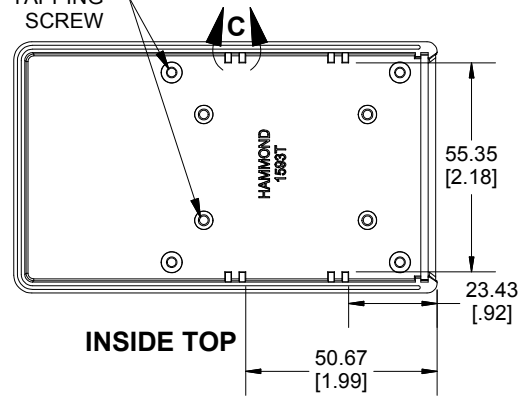


END VIEW



**SECTION A-A
END VIEW**

ACCEPTS #4
SELF-TAPPING
SCREW



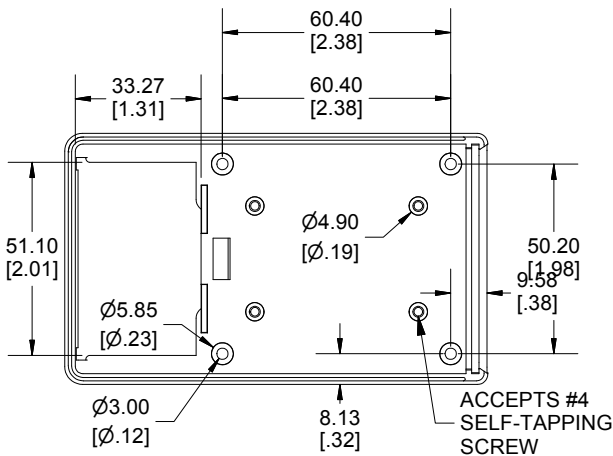
INSIDE TOP

Enclosures can be Factory Modified (Milling, Drilling, Printing etc.)
Contact Factory mjm@hammondmfg.com for quotes
Solid models of this enclosure available in STEP or IGES.
(Part number and text placement/orientation on our products are subject to change,
we do not recommend using them as a locating reference for modification purposes)

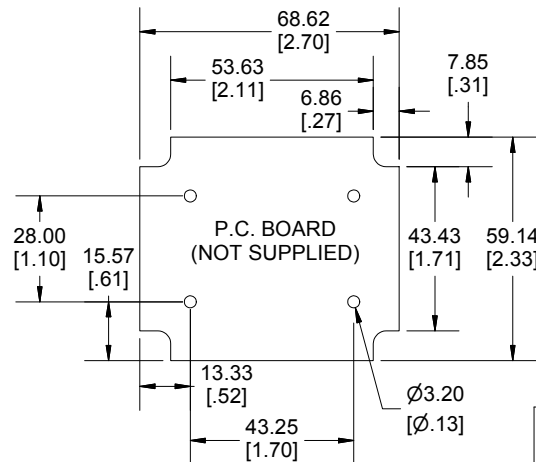
NOTE

Enclosure molded from GP ABS (UL94-HB) plastic.
Purchased assembly includes top and bottom cover, 1 plastic flat panel for front,
battery door and 4 cover screws.

Recommended Cover Screw Torque - 57lbf-in (40cN-m)



INSIDE BOTTOM



P.C. BOARD
(NOT SUPPLIED)

Dimensions:
mm
[inches]

1593		
1593T Regular Enclosure		
Black Enclosure	1593TBK	
Grey Enclosure	1593TGY	
Translucent Blue Enclosure	1593TTBU	
ACCESSORIES		
Cover Screws #4 X 5/8" Self-Tapping (100 Pkg)	1593MS100 (Silver)	
	1593MS100BK (Black)	
P.C. Board Screws #4 X 1/4" Self-Tapping	1593ATS50 (Pkg 50)	
	1593ATS100 (Pkg 100)	
Nylon Belt Clip	1599CLIP (Black)	
	1599CLIPGY (Grey)	
1-AAA Battery Holder (Single)	BH1AAAW	
2-AAA Battery Holder (Single)	BH2AAAW	
1593T STD FLAT PANEL (SINGLE PANEL)	Black	1593SLBK-BULK
	Grey	1593SLGY-BULK
	Translucent Blue	1593SLTBU-BULK
	Infrared	1593SIR10

**HAMMOND
MANUFACTURING**

1593T

www.hammondmfg.com