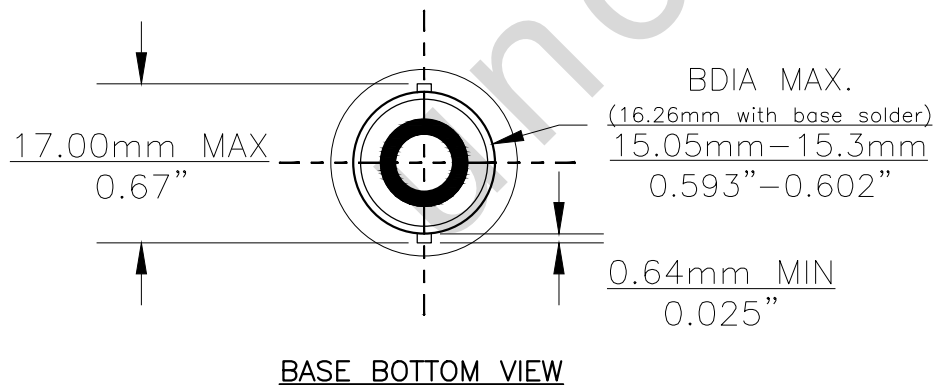
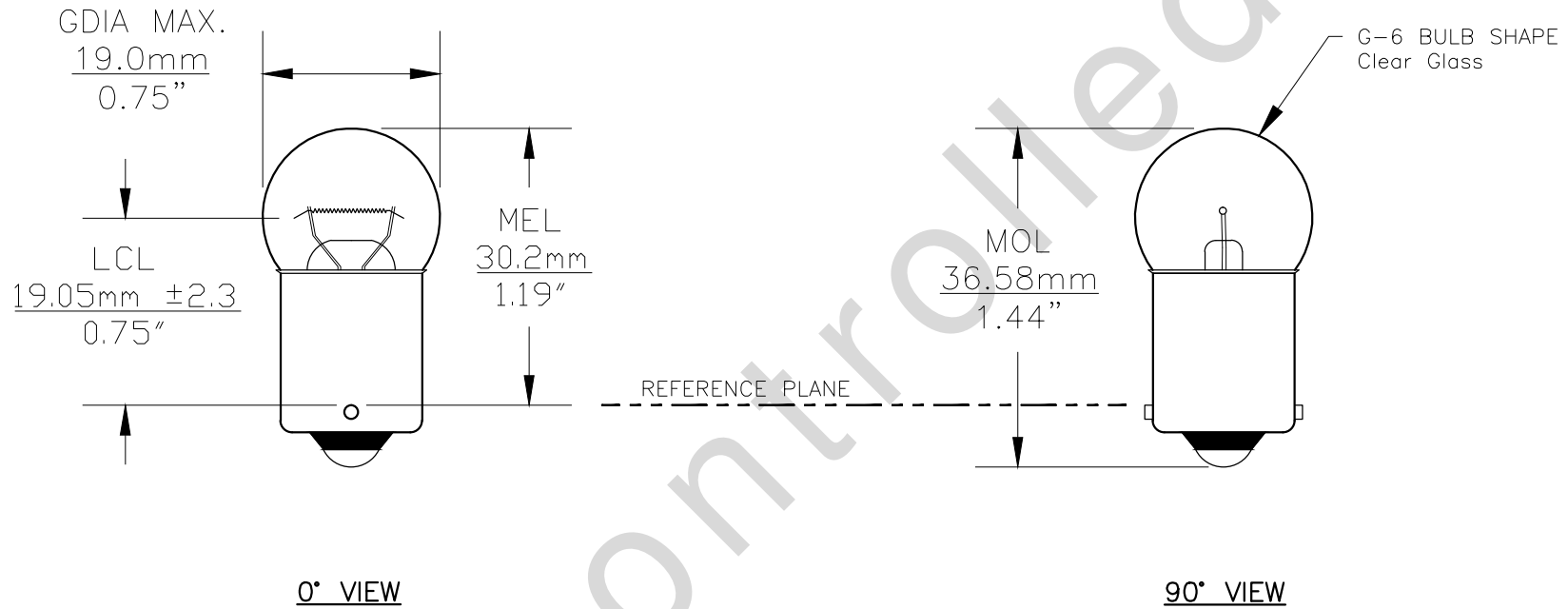




Since 1959

PART NO.	BASE TYPE	DESIGN VOLTS	DESIGN AMPS	MSCD	FILAMENT TYPE	AVERAGE LIFE HOURS	REVISIONS			
							REV #	DESCRIPTION	DATE	APPROVED
89LL	S.C. BAYONET (BA15s)	13.0V	0.58 ±8%	6 ±15%	C-6	1500	1	ADDRESS CHANGE, REDRAWN	06/02/2006	D.C.
							2	UPDATED FILAMENT FROM C-2R TO C-6	06/03/2015	R.M.



Note: Made according to SAE specifications

UNLESS OTHERWISE SPECIFIED: DIMENSIONS ARE IN INCHES TOLERANCES		CEC INDUSTRIES LTD			
DECIMALS .XX ± .05	ANGULAR ± 0.5°	599 BOND STREET		LINCOLNSHIRE, IL 60069	
.XXX ± .010	FRACTIONAL ± 1/64	TITLE LIGHT BULB NO. 89LL			
DRAWN ELIZABETH SONANES	DATE 01/02/2001	SIZE A	FSCM NO.	DWG NO. 89LL	REV 2
DESIGN	SCALE	PLOT SCALE	SHEET 1 OF 1		
MATERIAL	FILE 89LL.pdf	DRAWING NOT TO SCALE			