

THIS DRAWING IS UNPUBLISHED.

RELEASED FOR PUBLICATION

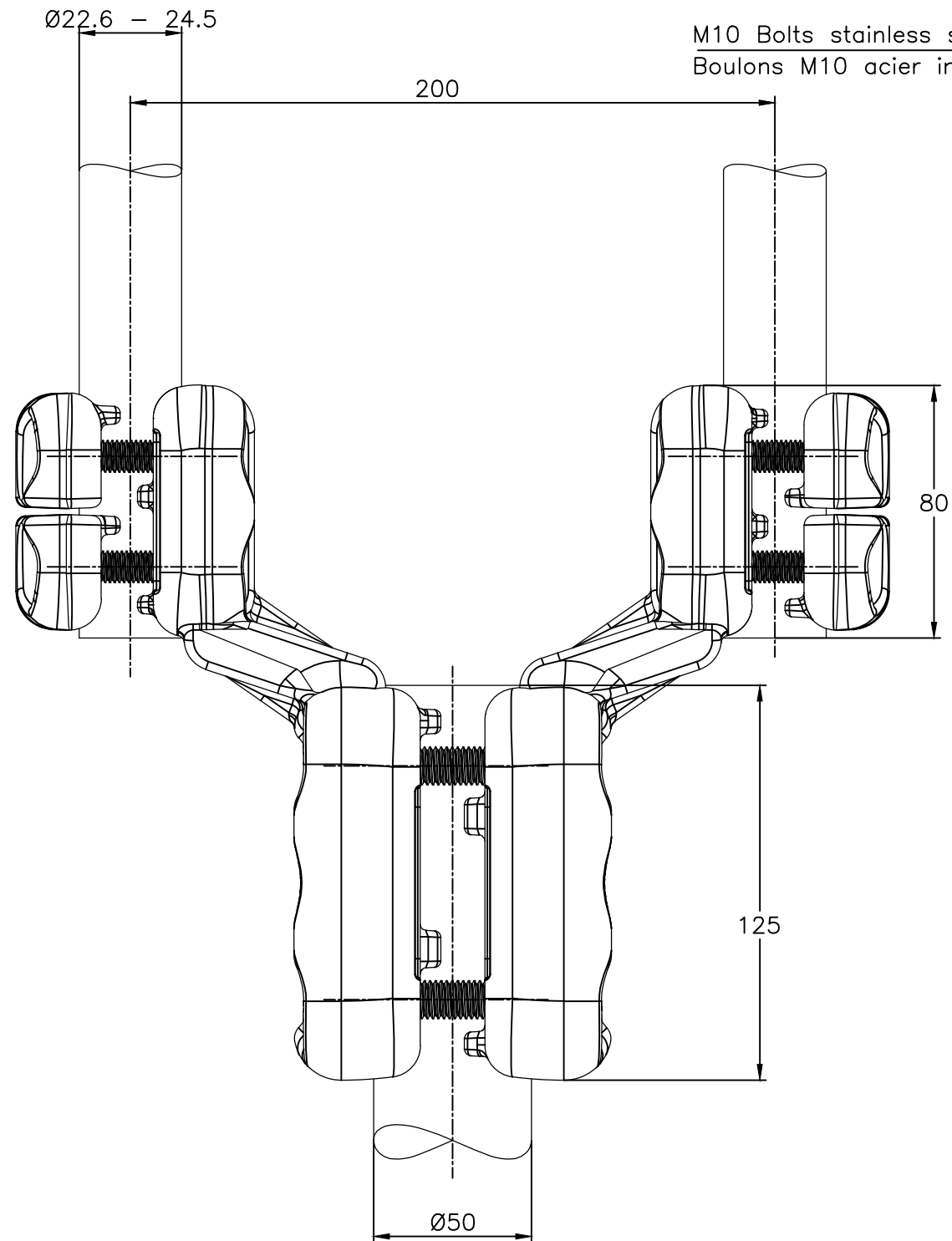
-. -. .

REVISIONS

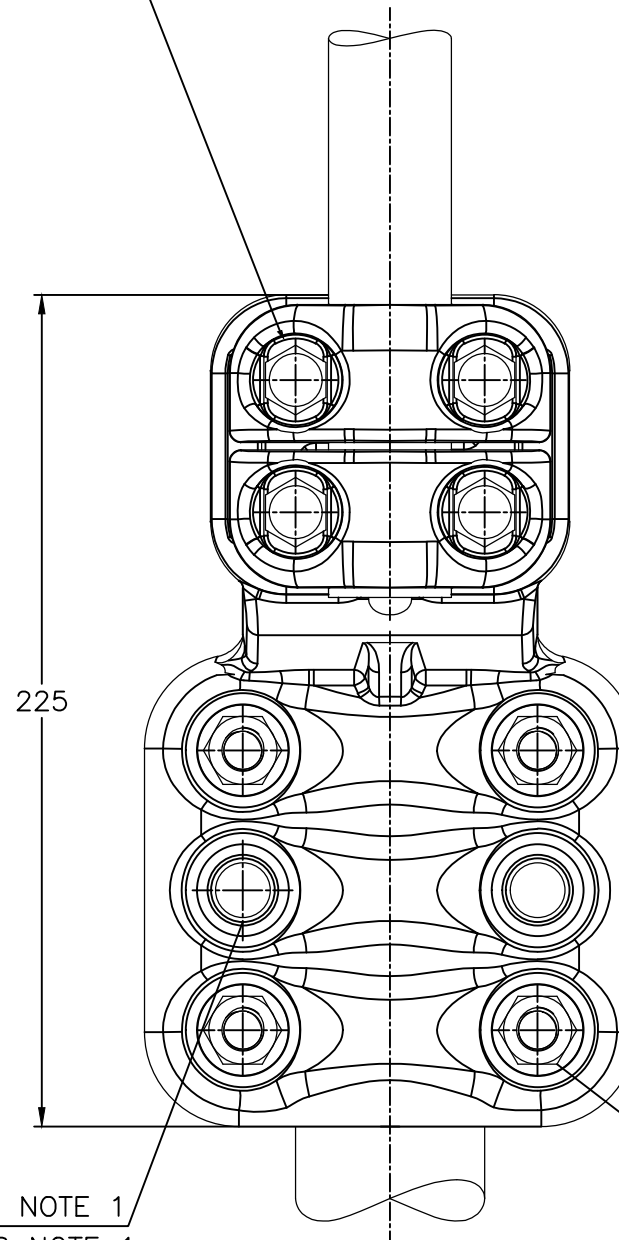
© COPYRIGHT - By -

ALL RIGHTS RESERVED.

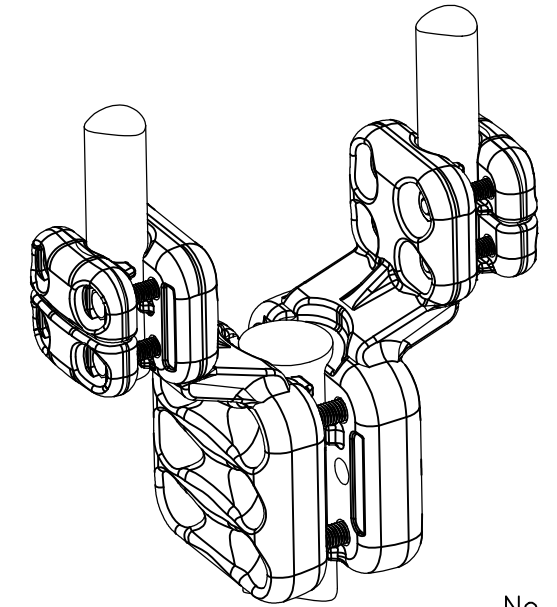
P	LTR	DESCRIPTION	DATE	DWN	APVD
A	CREATION		30-APR-18	MT	-



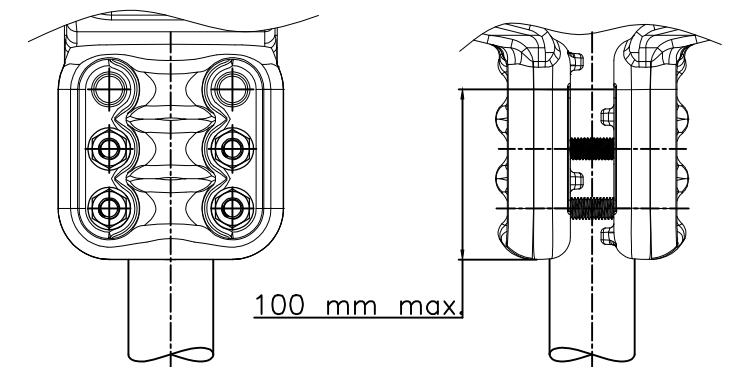
M10 Bolts stainless steel A2: 37Nm
 Boulons M10 acier inoxydable A2: 37Nm



SEE NOTE 1
 VOIR NOTE 1



No scale
 Sans échelle



NOTE 1: Bolts Assembly for Stud length up to 100mm
 Assemblage Boulons sur Borne longueur jusqu'a 100mm

M12 Bolts stainless steel A2: 60Nm
 Boulons M12 acier inoxydable A2: 60Nm

ITEM:.....

THIS DRAWING IS A CONTROLLED DOCUMENT.		DWN TALPIN	30-APR-18	STE TE Connectivity	
DIMENSIONS: mm		CHK	-		
TOLERANCES UNLESS OTHERWISE SPECIFIED:		APVD	-	NAME STRAIGHT CONNECTOR TWIN TO STUD CONNECTEUR DROIT FAISCEAU DOUBLE SUR BORNE 5 CJ 82 F S245 E200 L505	
0 PLC ± -		PRODUCT SPEC	108-69096-001		
1 PLC ± -		APPLICATION SPEC	-	SIZE	A3
2 PLC ± -				CAGE CODE	00779
3 PLC ± -				DRAWING NO	C=2332411
4 PLC ± -				RESTRICTED TO	-
ANGLES ± -				APPROX.WEIGHT	4.3 kg
FINISH				CUSTOMER DRAWING	
MATERIAL				SCALE	1:2
				SHEET	1 OF 1
				REV	A