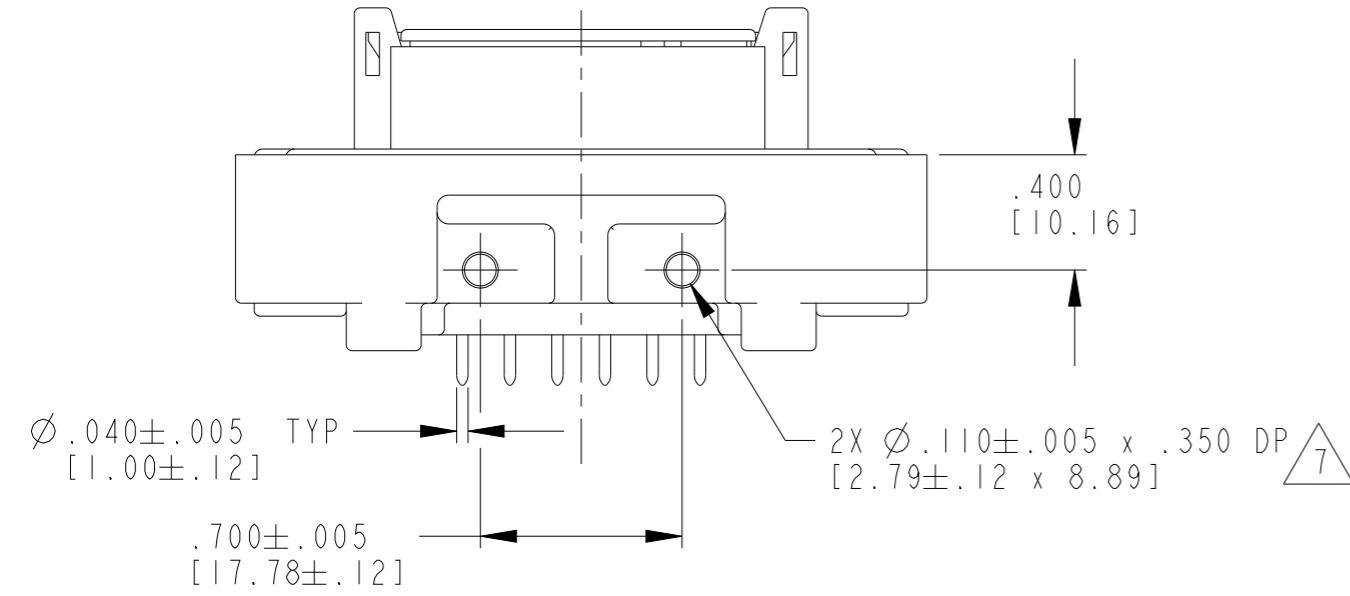
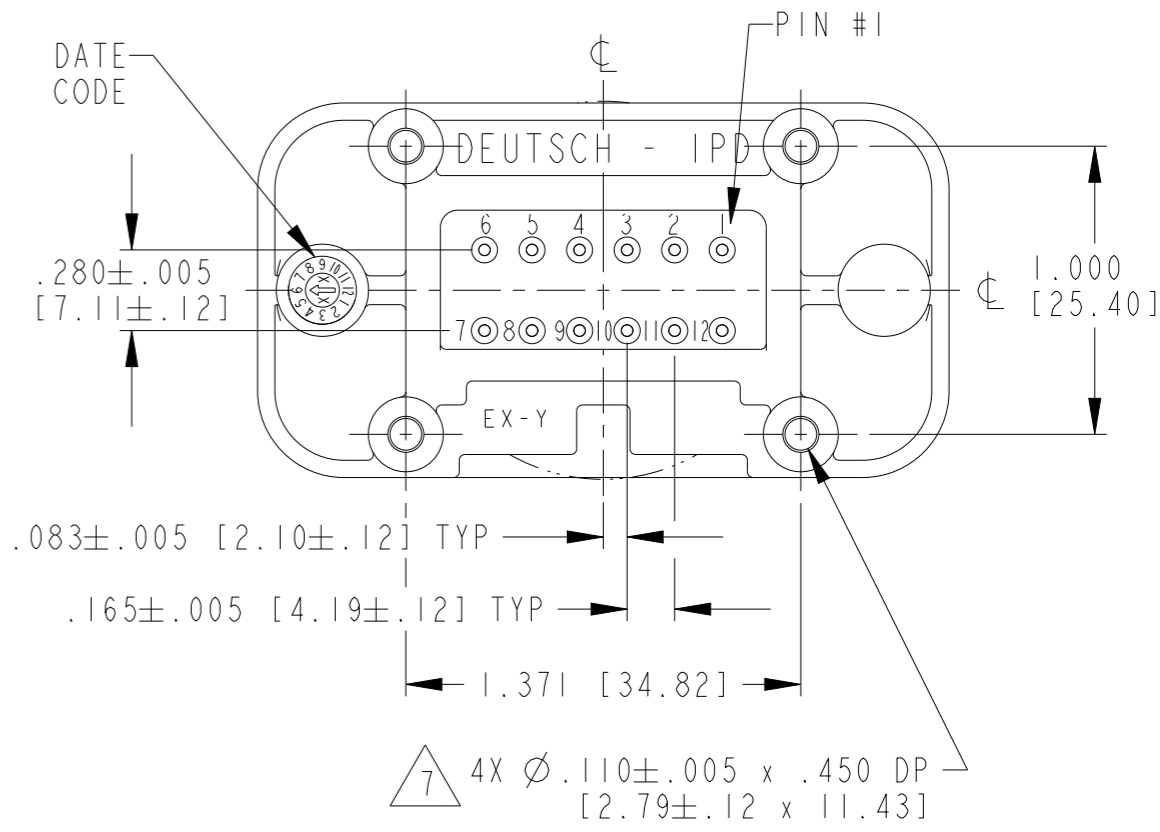
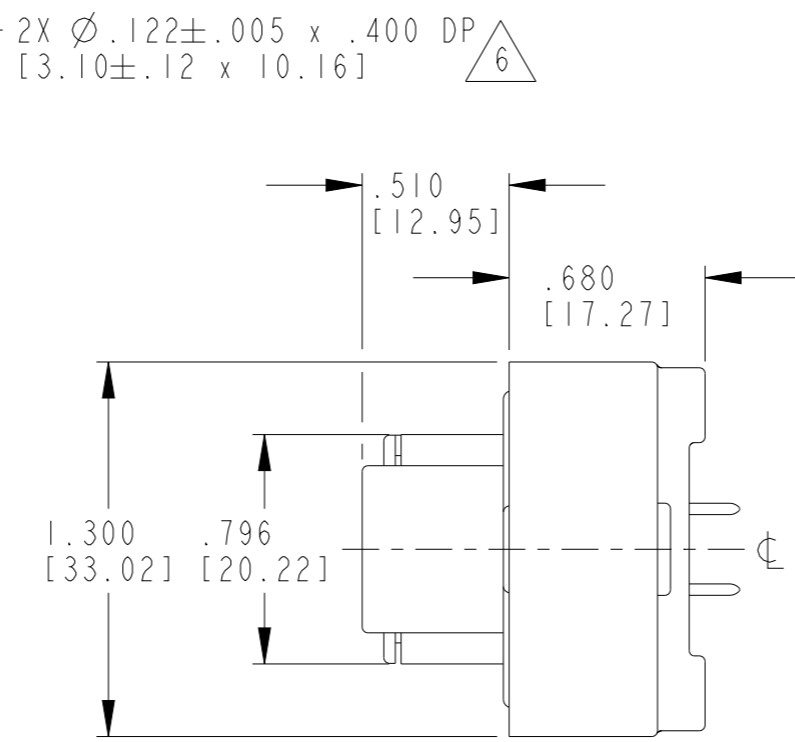
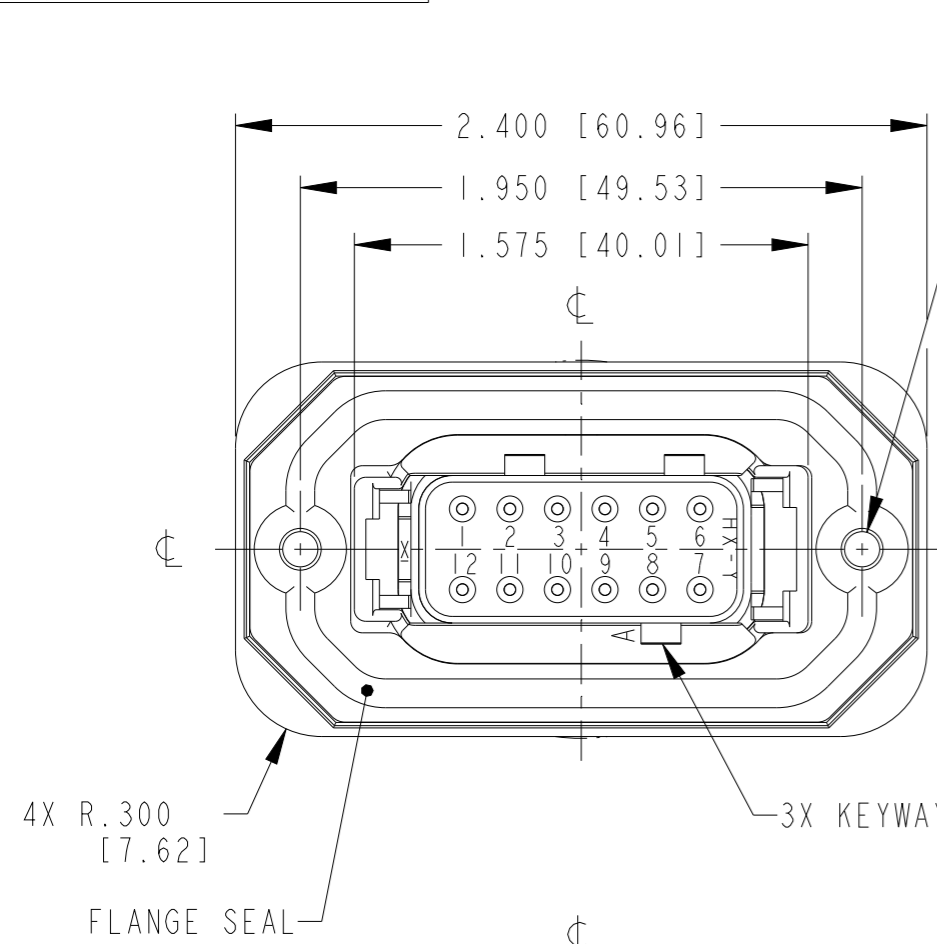


P	LTR	DESCRIPTION	DATE	DWN	APVD
	B1	ECR-21-108593	05AUG2021	DRK	IG



- 8 SURFACE FINISH: 32 RMS OR BETTER;  $\square$  .005 [.12].
- 7 RECOMMENDED SCREW: 4-20 [M3.12 x 1.27] THREAD-FORMING SCREW. TORQUE: 6-10 IN-LB [.68-1.13 NM].
- 6 RECOMMENDED SCREW: 6-19 [M3.63 x 1.34] THREAD-FORMING SCREW. TORQUE: 10-20 IN-LB [1.13-2.25 NM].
- 5 SEE SHEET 2 FOR OTHER KEY ARRANGEMENTS.
- 4. THIS RECEPTACLE MATES WITH DTM06-12S\*-\*\*\*\* PLUG (\*=A,B,C,D KEYS; \*\*\*\*=ALL MODIFICATIONS).

3. CONTACT PLATING - MATING SIDE: NICKEL; PCB SIDE: TIN

2 MATERIAL - HOUSING & PA46 GF30; GRAY  
SLEEVE RETAINER PA46 GF10 (SEE SHEET 2 FOR COLORS)  
SEALS: VMQ (RED-ORANGE)  
PINS: COPPER ALLOY

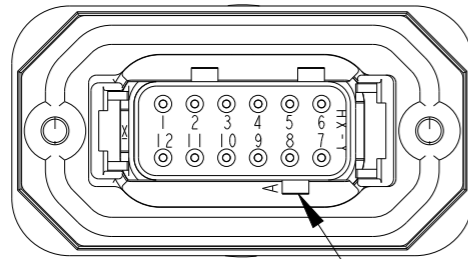
1. PANEL CUTOUT: ±.010 [.25].

NOTES:

THIS DRAWING IS A CONTROLLED DOCUMENT.		DWN	24APR2002		TE Connectivity			
		CHK	R MESSENGER 21FEB2007					
DIMENSIONS: INCHES [mm]		APVD	D MEYER 21FEB2007		NAME RECEPTACLE 12 #20 SIZE CONTACTS KEY ARRANGEMENTS A, B, C AND D 180 DEG, DTM SERIES			
TOLERANCES UNLESS OTHERWISE SPECIFIED: ±.025 [.64mm]		PRODUCT SPEC	-					
0 PLC ±- 1 PLC ±- 2 PLC ±- 3 PLC ±- 4 PLC ±- ANGLES ±-		APPLICATION SPEC	-		SIZE	CAGE CODE	DRAWING NO	RESTRICTED TO
MATERIAL		WEIGHT	-		A3	11139	DTM15-12PX	-
FINISH		-		CUSTOMER DRAWING		SCALE	SHEET	REV
						3:2	1 OF 2	B1

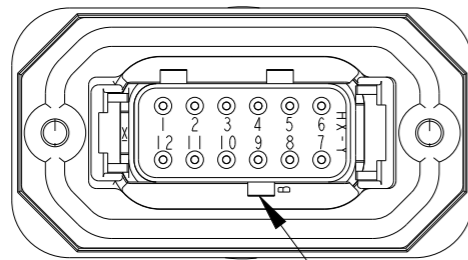
P	LTR	DESCRIPTION	DATE	DWN	APVD
-	-	SEE SHEET 1	-	-	-

**DTM15-12PA**  
KEY: -A-



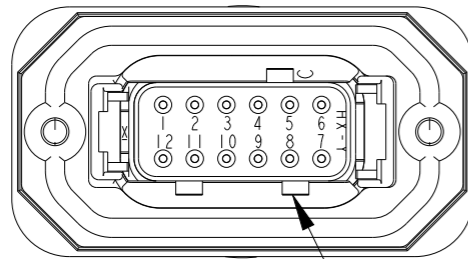
3X KEYWAY  
SLEEVE RETAINER: GRAY

**DTM15-12PB**  
KEY: -B-



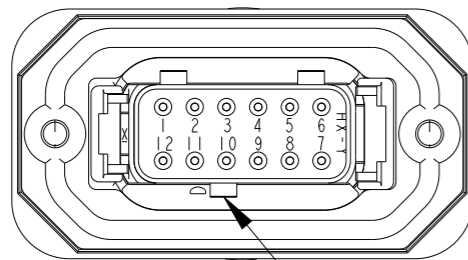
3X KEYWAY  
SLEEVE RETAINER: BLACK

**DTM15-12PC**  
KEY: -C-

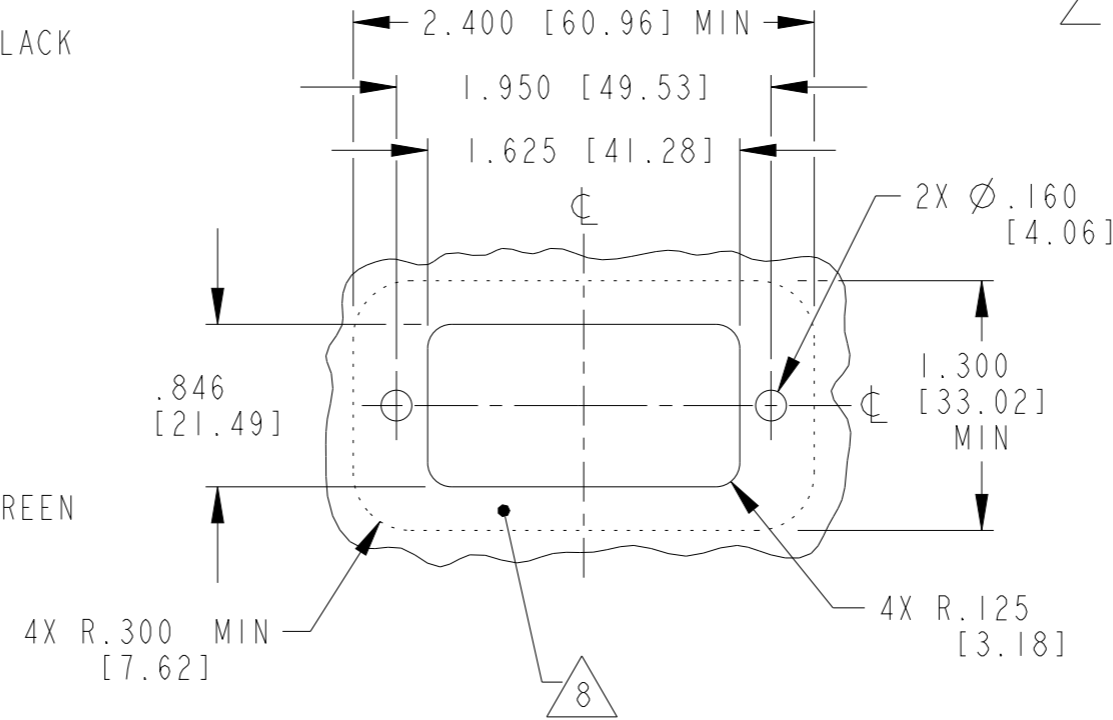
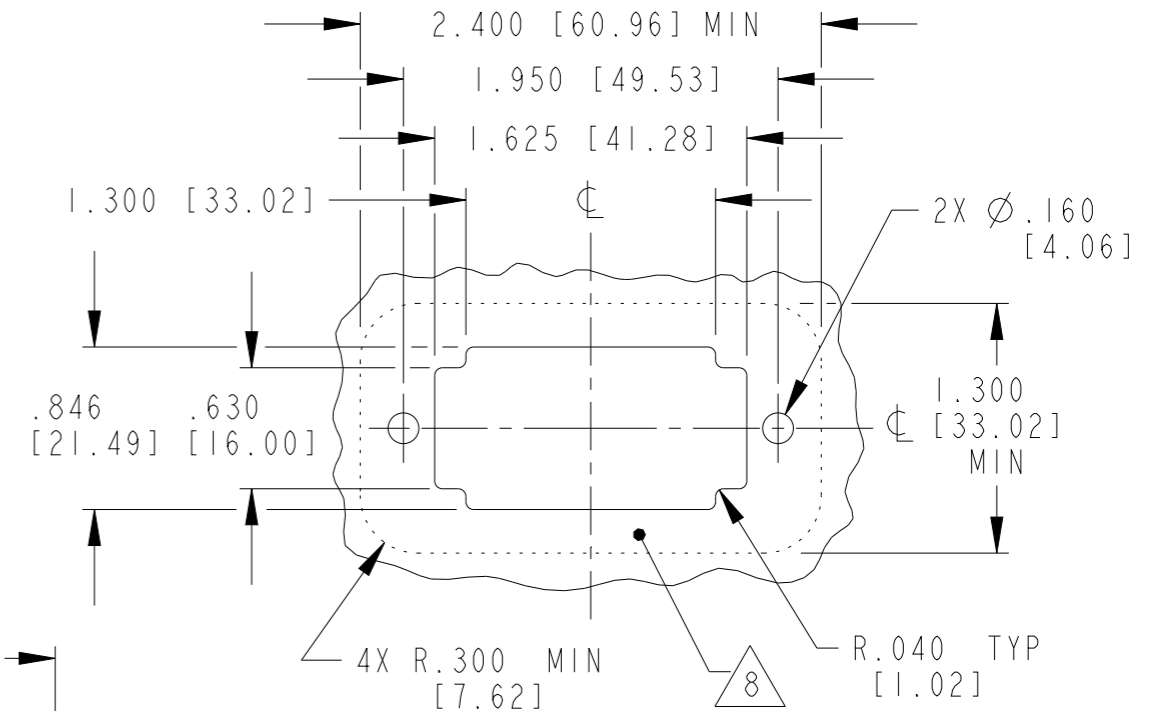


3X KEYWAY  
SLEEVE RETAINER: GREEN

**DTM15-12PD**  
KEY: -D-



3X KEYWAY  
SLEEVE RETAINER: BROWN



**RECOMMENDED PANEL CUTOUT**

THIS DRAWING IS A CONTROLLED DOCUMENT.		DWN D MEYER 24APR2002	TE Connectivity				
DIMENSIONS: INCHES [mm]		CHK R MESSENGER 21FEB2007					
TOLERANCES UNLESS OTHERWISE SPECIFIED: ±.025 [0.64mm]		APVD D MEYER 21FEB2007	NAME RECEPTACLE 12 #20 SIZE CONTACTS KEY ARRANGEMENTS A, B, C AND D 180 DEG, DTM SERIES				
		PRODUCT SPEC	SIZE A3	CAGE CODE 111139	DRAWING NO G=DTM15-12PX	RESTRICTED TO	
MATERIAL 2		FINISH	APPLICATION SPEC	WEIGHT	SCALE 3:2	SHEET 2 OF 2	REV B1
		CUSTOMER DRAWING					