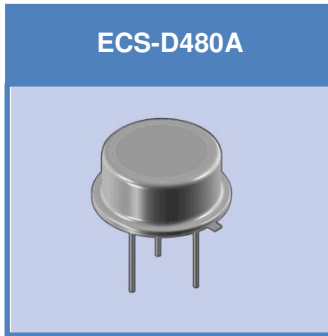


The ECS-D480A is a 480 MHz SAW (Surface Acoustic Wave) Filter in a thru-hole TO39-3A package. They are ideal for Satellite TV.

Request a Sample

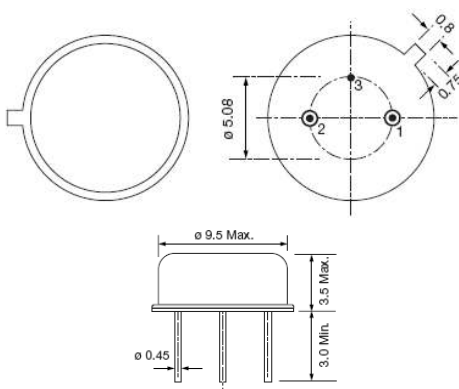
### OPERATING CONDITIONS / ELECTRICAL CHARACTERISTICS



- Quartz Stability
- Ideal for Satellite Receiver
- RoHS Compliant

Parameters	Conditions	ECS-D480A			Units
		MIN	TYP	MAX	
<b>Center Frequency</b>		479.0	480.0	481.0	MHz
<b>Insertion Loss</b>	@ F <sub>o</sub>		19.5	21	dB
<b>3 dB Pass Band</b>		16.6	17.6	18.6	MHz
<b>Relative Attenuation</b>	@ 471.0 MHz		3.4	5.4	dB
	@ 489.0 MHz		3.0	5.4	dB
	430 ~ 461 MHz	38.0	50.0		dB
	499 ~ 530 MHz	38.0	45.0		dB
<b>Amplitude Ripple</b>	476.0 ~ 484.0 MHz		0.3	0.6	dB
<b>Group Delay</b>	480.0 MHz		281.0		nS
<b>Group Delay Ripple</b>	471.5 ~ 488.5 MHz		11.5	18.0	nS
<b>Frequency Stability</b>	-25°C ~ +85°C		-86		PPM/°C
<b>Terminating Impedance</b>	Input	70Ω//3.7pF			
	Output	280Ω//2.5pF			
<b>Operating Temperature</b>		-25		+85	°C
<b>Storage Temperature</b>		-40		+85	°C

### Package Dimensions (mm)



Pin Connections	
#1	Input
#2	Output
#3	Ground

Figure 1) Top, Side, and Bottom views