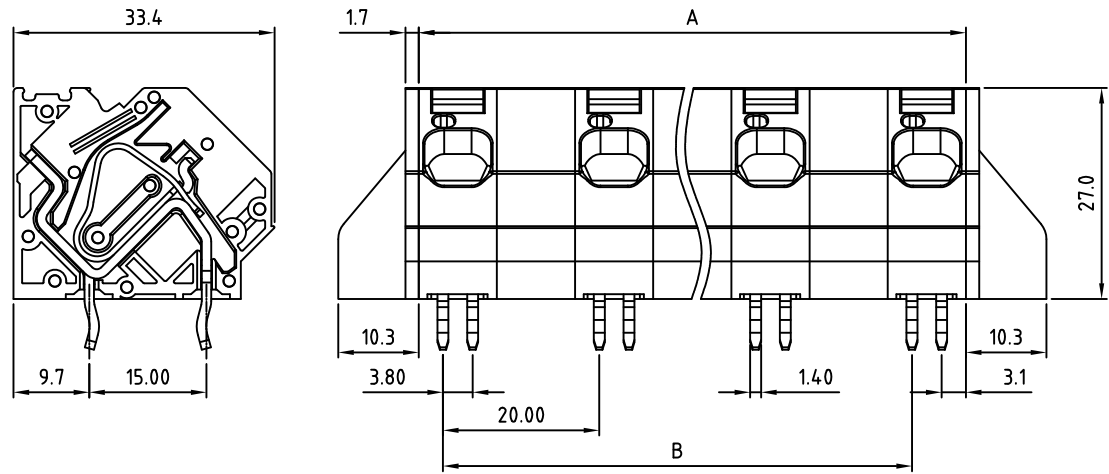


SIGN	DATE	DESCRIPTION	APPROVER
		THIS IS CAD DRAWING, DO NOT REVISE MANUALLY!!!	



- Material:
- Insulator(housing): Thermoplastic (UL94V-0)
 - Wire guard: Stainless steel
 - Terminal Body(contact pin): Copper.Tin platd
 - With flange left cover: Thermoplastic (UL94V-0)
 - With flange right cover: Thermoplastic (UL94V-0)
 - Pad board: Thermoplastic (UL94V-0)

- Electrical:
- | | | |
|--------------------------|------------------|-------|
| | cULus | VDE |
| ● Voltage rating: | 600V | 1000V |
| ● Current rating: | 37A | 76A |
| ● Wire range: | 0.2-16 mm² | |
| ● Solid wire(AWG): | 6-24 | |
| ● Stranded wire(AWG): | 6-24 | |
| ● Wire strip length: | 12-13mm | |
| ● Withstanding Voltage: | 2.2KV | 3.5KV |
| ● Operating temperature: | -40°C to +115°C | |
| ● Soldering temperature: | 250°C±10°C/5 Sec | |
| ● Safety Approval: | | |

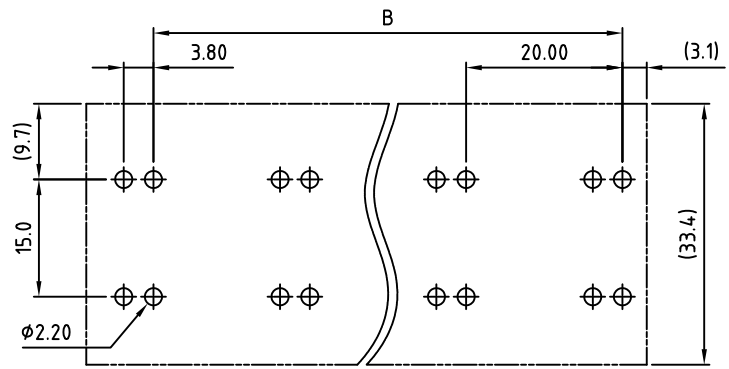
RoHS Compliant

PART NUMBER:

OSTH8XX2081

- | | |
|--------------|--------------------|
| No. of Poles | COLOR |
| 02 2 Poles | 0: Black |
| 03 3 Poles | 5: Green |
| | 6: Blue |
| 08 8 Poles | 8: Grey (Standard) |

THESE DRAWINGS AND SPECIFICATIONS ARE THE PROPERTY OF ON-SHORE TECHNOLOGY, INC. AND SHALL NOT BE REPRODUCED, COPIED OR USED IN ANY MANNER WITHOUT THE PRIOR WRITTEN CONSENT OF ON-SHORE TECHNOLOGY, INC.



PCB Layout

POLE		2	3	4	5	6	7	8
A		30.00	50.00	70.00	90.00	110.00	130.00	150.00
B		20.00	4.00	60.00	80.00	100.00	120.00	140.00
Tol.		±0.15			±0.25			
POLE	9	10	11	12	13	14	15	16
A	170.00	190.00	210.00	230.00	250.00	270.00	290.00	310.00
B	160.00	180.00	200.00	220.00	240.00	260.00	280.00	300.00
Tol.		±0.35			±0.50			

TITLE		OSTH8 20.0mm with flange Series					
PART NO.	OSTH8XX2081			DWG NO.	OSTH8XX2081.DWG		
APPROVED	CHECKED	DESIGNED	DRAWN	CUST NO.			
		Aaron 2010.06.08	Aaron 2007.09.14		UNIT: mm	Tolerance	
					SCALE: NONE	X.X	±0.30
				SHEET: 01/01	REV: A	X.XX	±0.10
						X*	±1*