

Features

LED DRIVER

- 25W Class II AC-DC LED Power Supply
- 350mA, 700mA, 1050mA Output
- Active Power Factor Correction >0.90
- Efficiency to 85%
- EN and UL

Selection Guide

| Part Number | Rated Power (W) | Output Current (mA) | Output Voltage (VDC) | Efficiency (typ.) |
|-------------|-----------------|---------------------|----------------------|-------------------|
| RACD25-500 | 25 | 500 | 42 - 52 | 82% |
| RACD25-700 | 25 | 700 | 21 - 36 | 85% |
| RACD25-1050 | 25 | 1050 | 16 - 24 | 84% |
| RACD25-1400 | 25 | 1400 | 12-18 | 83% |

Specifications (measured at 230VAC and 25°C ambient temperature)

| | | |
|-----------------------------|--|---|
| Input Voltage Range | 90-295 VAC or 127-417 VDC | |
| Input Frequency Range | 47-63Hz | |
| Power Factor | Full Load, 240VAC | >0.90 |
| | Full Load, 115VAC | >0.98 |
| Current Accuracy | 700mA Version | ±7% |
| | others | ±8% |
| AC Input Current | 120VAC | 0.4A |
| | 240VAC | 0.2A |
| Inrush Current (<2ms) | 264VAC | Cold Start 20A |
| Isolation Voltage | 3.75kVAC | |
| Short Circuit Protection | Continuous | |
| Over Voltage Protection | 110% - 150% | |
| Over Temperature Protection | Rth Type | Internal Thermistor Auto-Recovery Mode |
| Vibration | 10-500Hz | 2G for 60 min. each along X, Y, Z axes |
| Storage Humidity | 10% - 95% RH | |
| Operating Humidity | 20% - 95% RH Non-Condensing | |
| Weight | 220g | |
| Dimension | 174.5 x 30.5 x 25mm | |
| Operating Temperature | -20°C to +50°C | |
| Storage Temperature | -40°C to +80°C | |
| Ripple & Noise | 3V max. | |
| IP Rating | IP65 | |
| Isolation Resistance | 100MΩ / 500VDC at 25°C | |
| Safety Standards | EN61347-1 EN61347-2-13 UL8750 EN61000-3-2 Class C EN61000-4-2,3,4,5,6,11 EN61547 EN55015 FCC15 | |
| MTBF (+25°C) | using MIL-HDBK 217F | 200 x 10 ³ hours min. |

RACD25

LIGHTLINE
AC/DC-Converter
with 5 year Warranty

RECOM

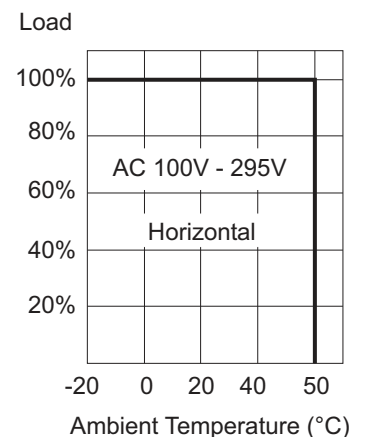
**25 Watt PFC
Single
Output**



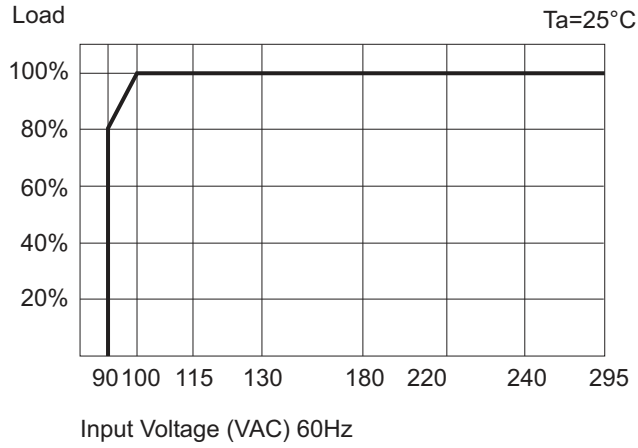
**UL 8750 Certified
EN 61347 Certified**

RACD25

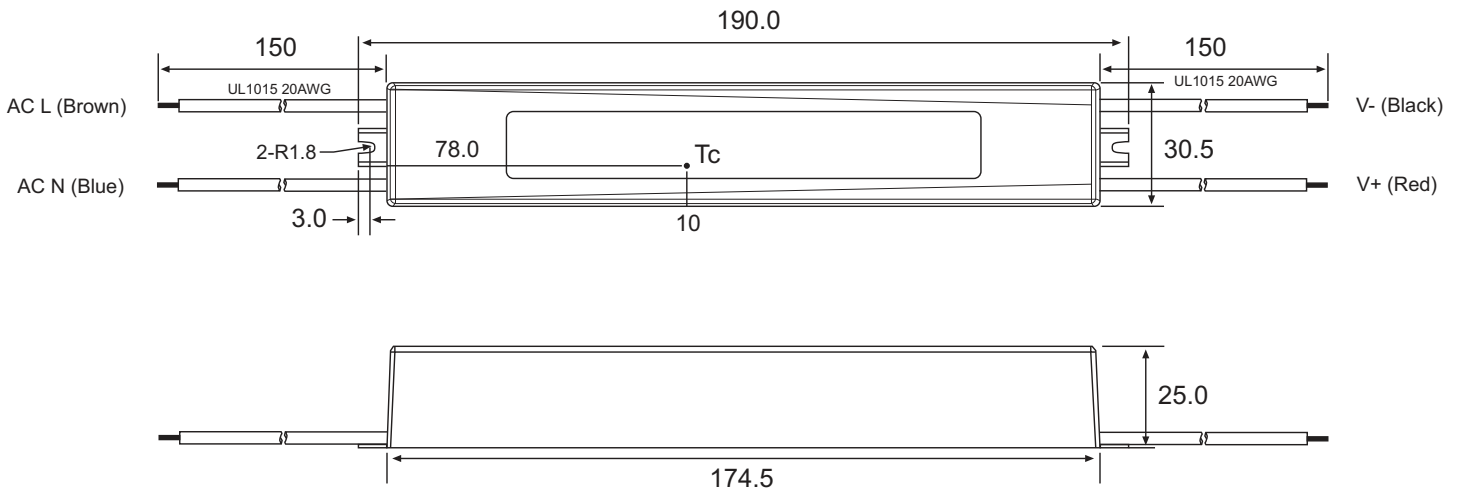
Derating-Graph
(Ambient Temperature)



Typical Characteristics



Package Style & Pinning



RACD25