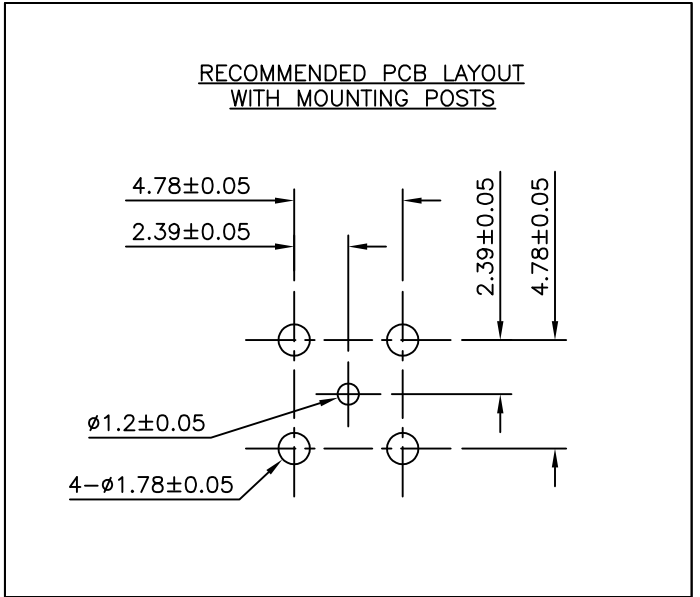
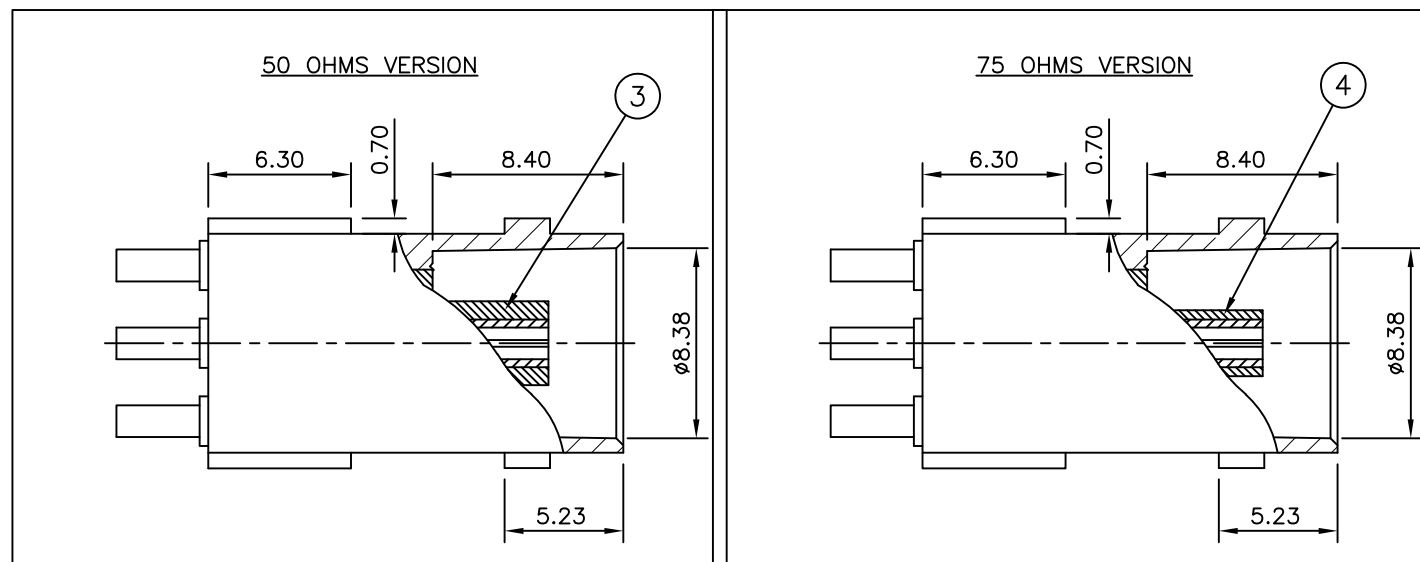
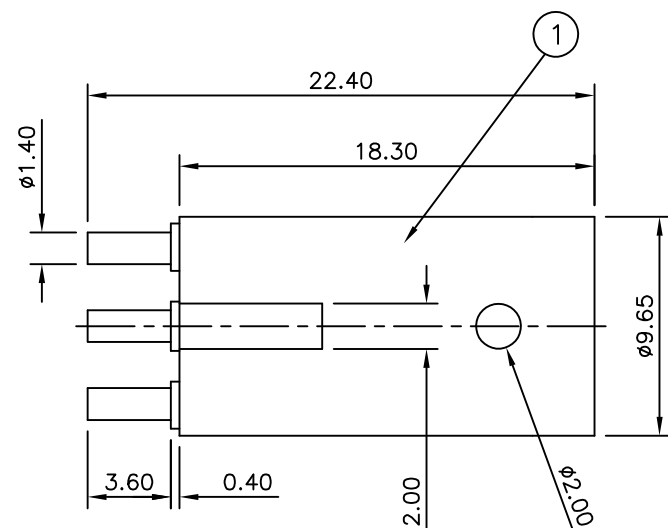
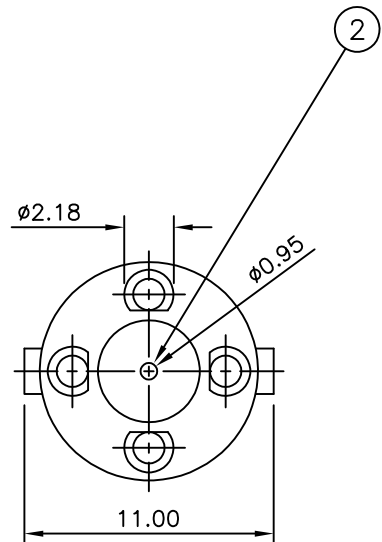


LOC	DIST	REVISIONS					
		P	LTR	DESCRIPTION	DATE	DWN	APVD
E	B		B	ECO-09-003420	11 Mar 09	RITA	BOB
			C	ECO-12-011817	03 Jul 12	TITAN	MARTIN

NOTES

- ① 100 TRAY PACK IN ACCORDANCE WITH AMP SPEC 107-3275
- ② SINGLE PACK IN ACCORDANCE WITH AMP SPEC 107-3275
- ③ Au PLATING
- ④ Ni PLATING



		1	1	-	-	TPX	INSULATOR	4
		-	-	1	1	TPX	INSULATOR	3
		1	1	1	1	PHOS BRONZE	③ CONTACT	2
		1	1	1	1	ZINC ALLOY	④ BODY	1
		5--3	5--2	5--1	5--0	MATERIAL	DESCRIPTION	ITEM
QUANTITY PER ASSY						PARTS LIST		

THIS DRAWING IS A CONTROLLED DOCUMENT.

DWN RITA ZUO 11 Mar 09
 CHK ANSON MA 11 Mar 09
 APVD BOB ZHAO 11 Mar 09

TE Connectivity

BNC STRAIGHT PCB SOCKET

108-112000

SIZE A3 CAGE CODE 00779 DRAWING NO C-1634522 RESTRICTED TO -

SCALE NTS SHEET 1 OF 1 REV C

CUSTOMER DRAWING

DIMENSIONS:	TOLERANCES UNLESS OTHERWISE SPECIFIED:
mm	
	0 PLC ± -
	1 PLC ± -
	2 PLC ± -
	3 PLC ± -
	4 PLC ± -
	ANGLES ± -
MATERIAL -	FINISH -