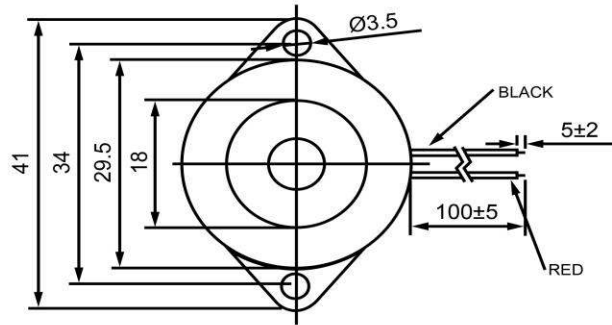


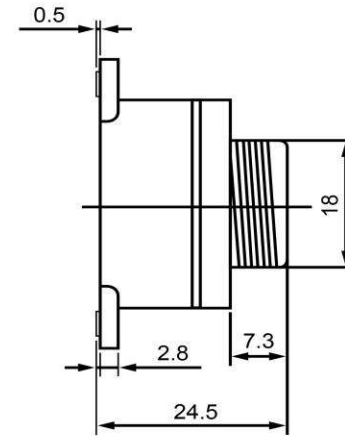
TOP VIEW


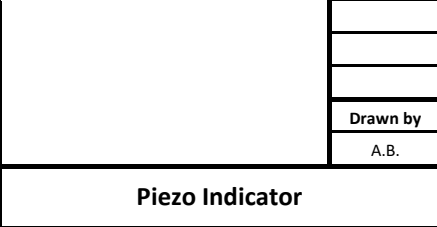
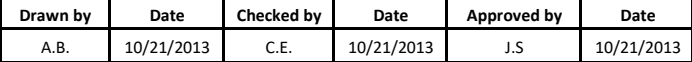


SIDE VIEW (1)



SIDE VIEW (2)



Specifications			Notes	Revision History					
Description	Value	Unit		Version	Description	Date	Approved		
Technology	Piezo		1) All dimensions are in mm unless otherwise noted 2) All parts meet RoHS	1	Released from Engineering	10/21/2013	J.S		
Resonant Frequency	3,500	(Hz)							
Rated Voltage	12	(V)							
SPL @ 10cm	105	(dBA)							
Tone	Single								
Mount Type	Flange Mount								
Voltage Range	3 ~ 28	(V)							
Max Rated Current	15	(mA)							
Housing Material	ABS								
Operating Temperature	-20 ~ +60	°C							
Storage Temperature	-30 ~ +70	°C							
Weight	15	(g)							
									
						IP293512-1			

Additional considerations can be found at www.dbunlimitedco.com/technical-articles.