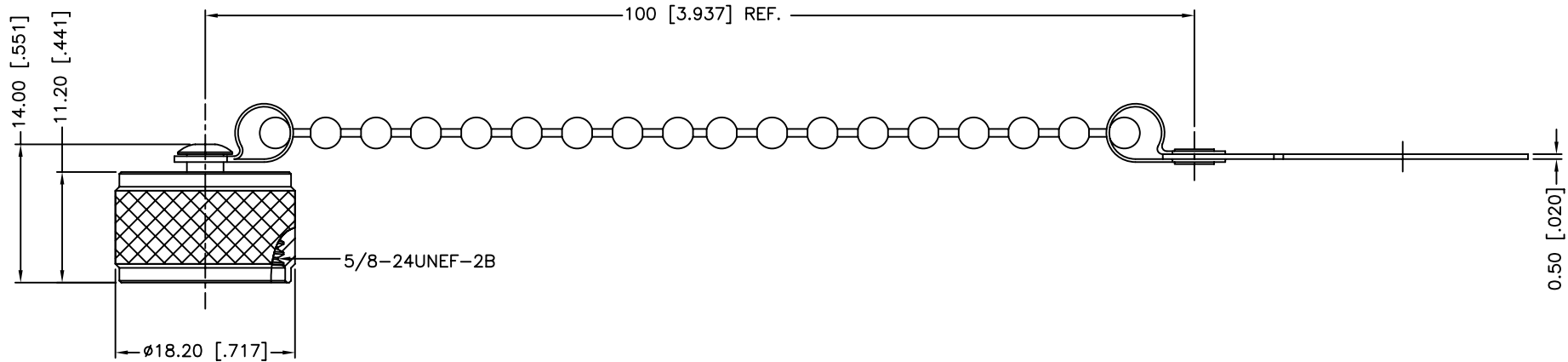
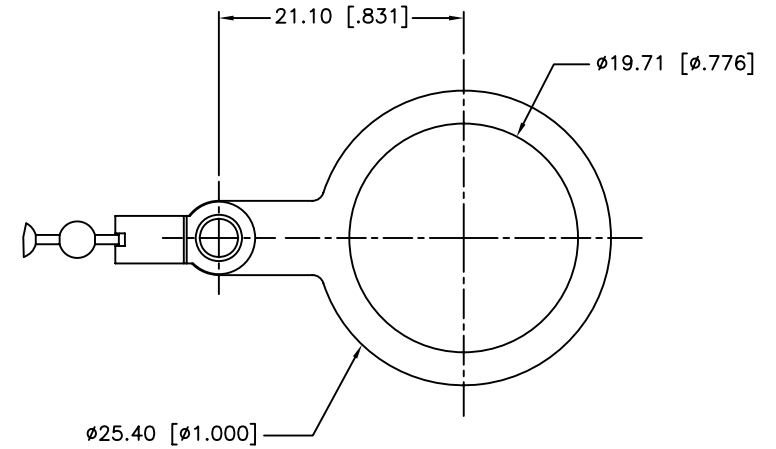
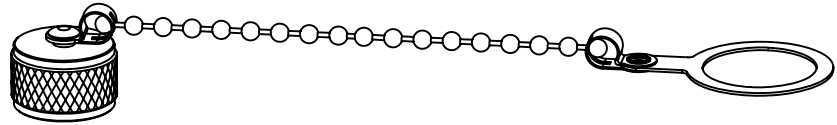


REV.	DATE	ECR NO.	DESCRIPTION
NC	12/20/11	XXXXXX	INITIAL RELEASE



4	CHAIN	BRASS	NICKEL	1
3	RIVET	BRASS	NICKEL	1
2	GASKET	SILICON RUBBER	RED	1
1	SHELL	BRASS	NICKEL	1
DESCRIPTION	MATERIAL	FINISH	QTY	

UNLESS OTHERWISE SPECIFIED DIMENSIONS ARE IN MILLIMETERS. DIMENSIONS IN [ ] ARE IN INCHES AND FOR CUSTOMER REFERENCE ONLY.

UNLESS OTHERWISE SPECIFIED TOLERANCES FOR MILLIMETERS ARE:  
0.5 - 8mm ± 0.20mm  
8 - 30mm ± 0.40mm  
30 - 120mm ± 0.50mm

UNLESS OTHERWISE SPECIFIED TOLERANCES FOR INCHES ARE:  
.020 - .315 = ± 0.007"  
.315 - 1.180 = ± 0.015"  
1.180 - 4.724 = ± 0.020"

DO NOT SCALE DRAWING

APPROVALS		DATE
DRAWN	M.ZHANG	12/20/11
CHECKED		
ISSUED		
SHEET	1 OF 1	
CAD FILE	C:/CONNEX/202102-11.DWG	

<b>Amphenol Connex</b>			
PART DESCRIPTION			
N MALE CAP WITH CHAIN Ø19.71MM LARGE LOOP			
PART NO.			
202102-11			
DWG. NO.	202102-11.DWG	REV.	NC
SIZE	A	SCALE	NA