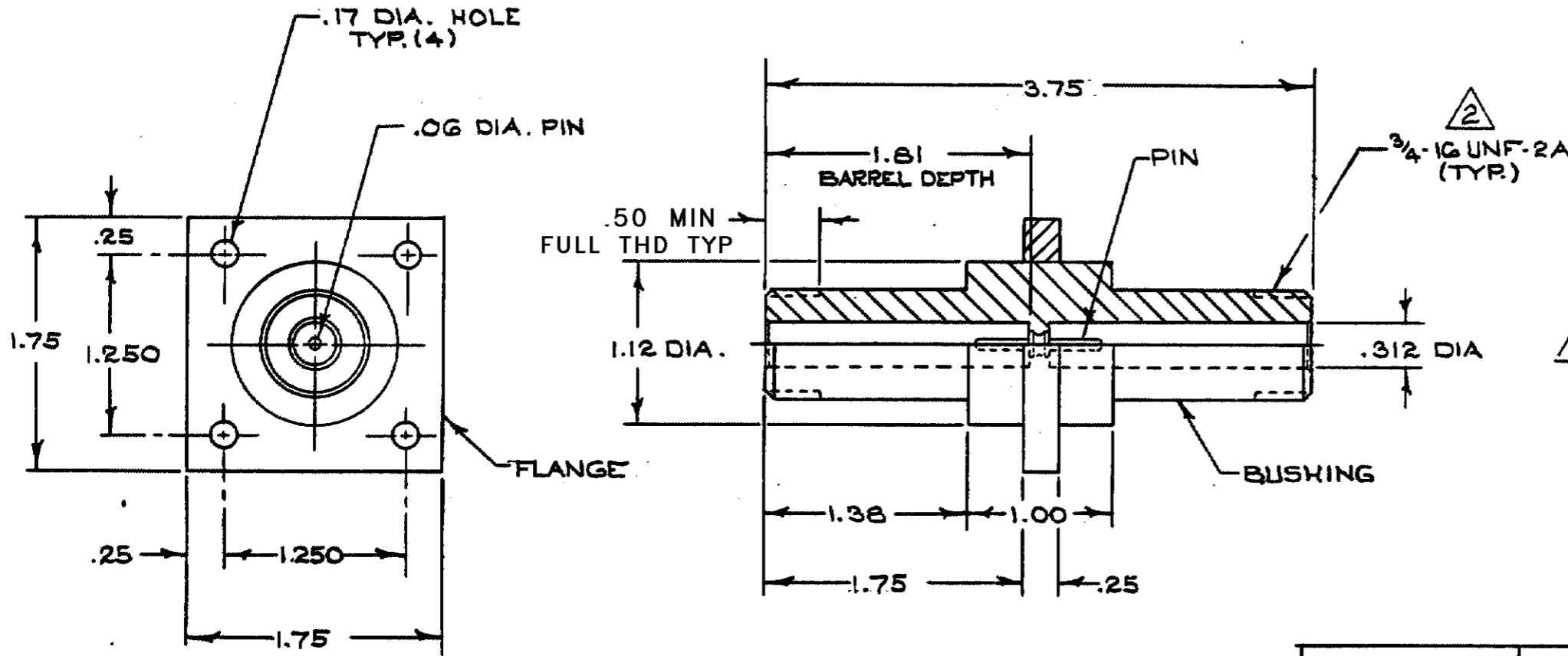


© COPYRIGHT 1973 BY AMP INCORPORATED, HARRISBURG, PA. ALL INTERNATIONAL RIGHTS RESERVED.

Unpublished copy not to be reproduced or published without written permission of AMP Incorporated

THIS PRODUCT DESIGNED AND BUILT BY AMP INCORPORATED. NO LICENSE TO USE THAT DESIGN IN MANUFACTURE, OR TO USE ANY ISSUED OR PENDING PATENTS WHICH ARE INVOLVED, IS IMPLIED.

REVISIONS				
ZONE	LTR	DESCRIPTION	DATE	APPROVED
	A	REV. & REDRAWN	6-4-73	Ken X
✓	B	OBSOLETE -2 ECN 53630	1-29-87	JM
	C	REV PER ECN S-3960	4-12-87	RS
	D	REACTIVATE -2 DF-7279 CT	2-93	DE 2/11/93
	E	ECO-10-007742 PY	4-10	DE



1 RECEPTACLE TO MATE WITH AMP LGH -3 LEAD ASSEMBLY, AVAILABLE SEPARATELY.
 2 PER FEDERAL STANDARD H-2B 3 WIRE METHOD. DIMENSION OVER WIRES TO BE: .7474 - .7654.

QTY REQD	QTY REQD	ITEM NO	DWG SIZE	PART OR IDENTIFYING NO	NOMENCLATURE OR DESCRIPTION	SYMBOL
-2	-1			850909-2	AS SHOWN WITH GOLD PLATED PIN	
				850909-1	AS SHOWN WITH TIN PLATED PIN	

PARTS LIST				UNLESS OTHERWISE SPECIFIED:		CONTRACT NO		AMP INCORPORATED			
				DECIMALS	.00 = ±.02	DR	L. GEIB 6-10-69	Elizabethtown, Pa.			
				ANGLES	.000 = ±.005	CHK		NAME			
				HOLES	UNDER .251 =	APPD		LGH-3 RECEPTACLE FEED THRU			
					OVER .500 =	APPD		ASSY (FOR BULKHEAD APPLICATION)			
					DIMENSIONS ARE IN INCHES	DSGN APPD	J.W. GAW 6-12-69	SIZE	CODE IDENT NO	NUMBER	REV
						OTHER APPD		B	89110	850909	E
								SCALE	WT	SHEET	OF

DO NOT SCALE PRINT