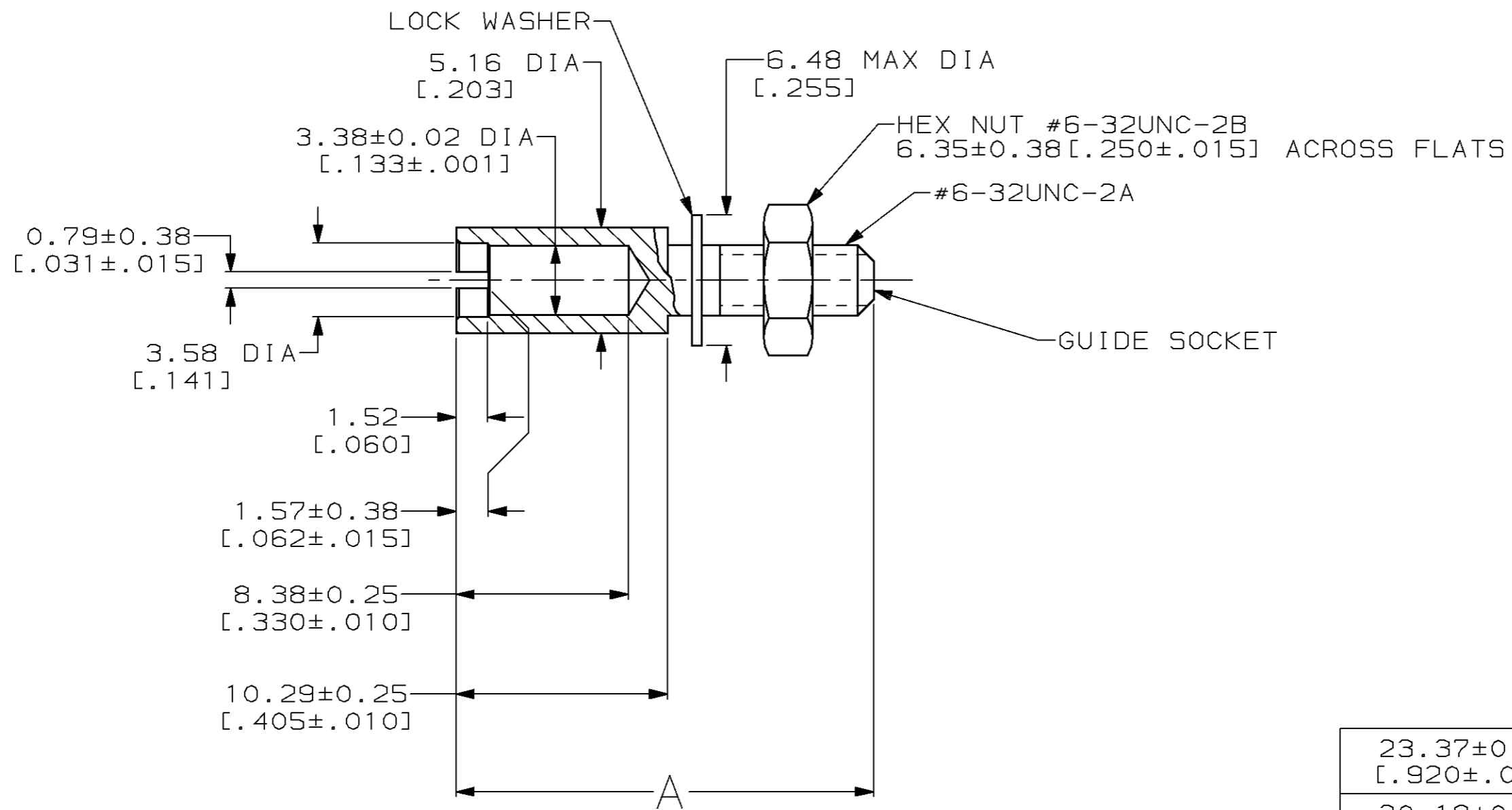


THIS DRAWING IS UNPUBLISHED. RELEASED FOR PUBLICATION, 19 .
 © COPYRIGHT 19 BY AMP INCORPORATED. ALL RIGHTS RESERVED.

LOC	DIST	REVISIONS			
P	LTR	DESCRIPTION	DATE	DWN	APVD
BD	36	W	REDRAWN PER EC 0020-1178-94	14 JUL 95	-



ASSEMBLED VIEW

23.37±0.25 [.920±.010]	201047-7
20.19±0.25 [.795±.010]	201047-2
A	PART NUMBER

- ① GUIDE SOCKET: STAINLESS STEEL.
LOCK WASHER: STAINLESS STEEL.
HEX NUT: CRS.
- ② HEX NUT: ZINC PLATED.

DIMENSIONS:		TOLERANCES UNLESS OTHERWISE SPECIFIED:		DWN		AMP Incorporated	
mm [INCHES]				CHK	DATE	NAME	Harrisburg, PA 17105-3608
		0 PLC	±-	C. REIFSNYDER	14 JUL 95	GUIDE SOCKET KIT, UNASSEMBLED RECTANGULAR, MINIATURE, CORNER, COMPLETE, M SERIES	DRAWING NO C-201047
		1 PLC	±-	R. STONE	17 JUL 95		
		2 PLC	±0.13 [.005]	G. STEINHAEUER	20 SEP 95		
		3 PLC	±-	PRODUCT SPEC		SIZE	CAGE CODE
		4 PLC	±-	APPLICATION SPEC		A3	00779
		ANGLES	±-	WEIGHT		SCALE 4:1	
MATERIAL ①	FINISH ②	CUSTOMER DRAWING		SHEET 1 OF 1		REV W	