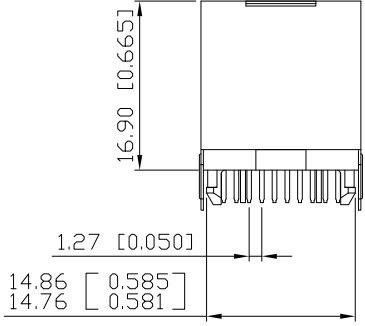
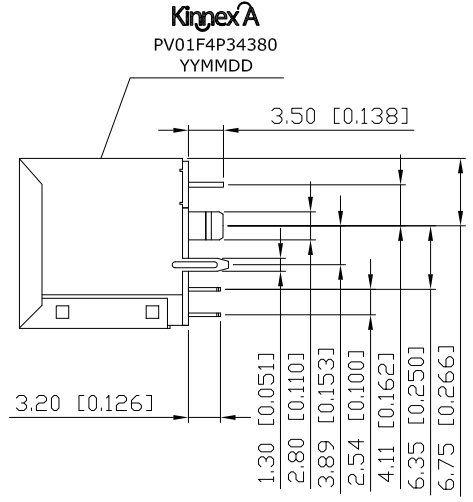
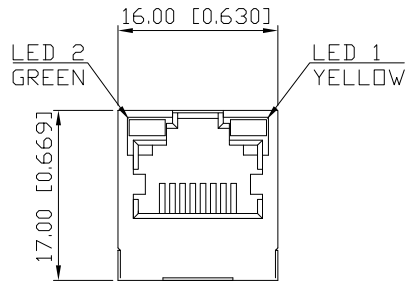
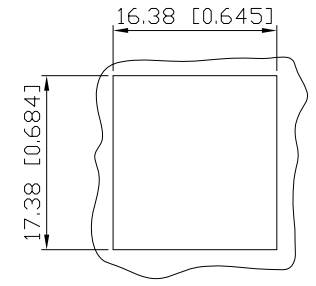
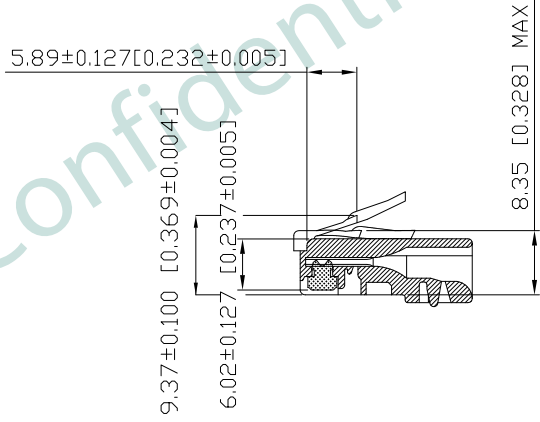


1. MECHANICAL DIMENSIONS :

REV.	DATE	DESCRIPTION
01	Jan. 16, '18	1st RELEASE



RECOMMENDED PLUG DIMENSION:



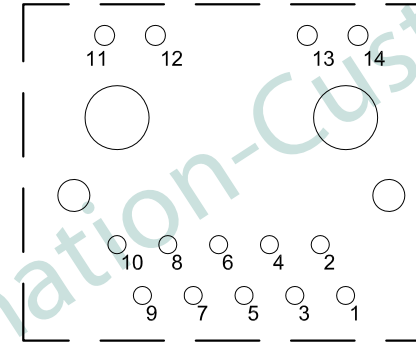
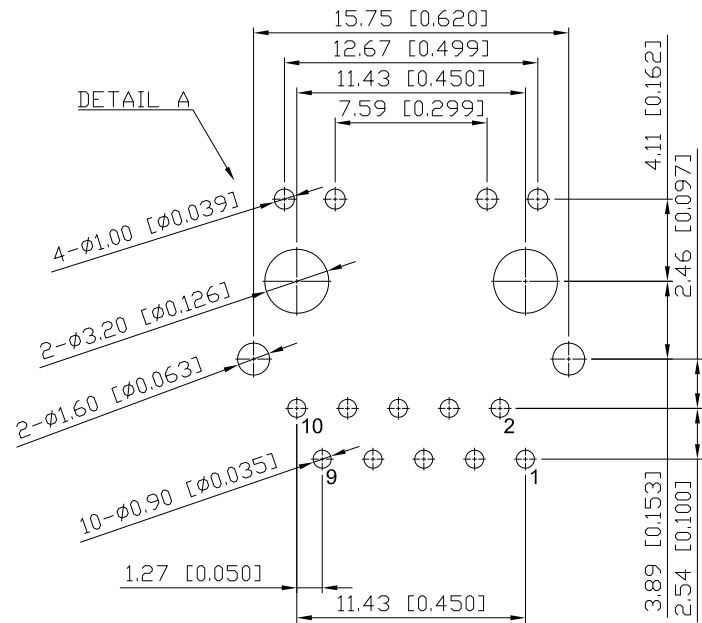
RECOMMENDED PANEL CUTOUT DIMENSION

NOTES:

- MATERIAL:
HOUSING: HIGH THERMOPLASTIC, UL94V-0, BLACK
CONTACTS: T=0.35mm PHOS-BRONZE,
6u" GOLD PLATING AND TIN IN SOLDER AREA.
SHIELD: T=0.25mm COPPER ALLOY, NICKEL PLATING
- OPERATING TEMPERATURE: -40°C~+85°C
- INSERTION FORCE: 4 POUNDS MAX.
EXTRACTION FORCE: 4 POUNDS MAX.
- DURABILITY: 750 MATING CYCLED MIN.
- CAVITY CONFORMS TO FCC RULES AND REGULATIONS PART 68, SUBPART F.
- UNSPECIFIED TOLERANCE: .XX ±0.25[0.010]
.X ±0.30[0.012]

PART NO		KPV-01F-4-P34-380		
TITLE	RJ45, W/ 10/100 TRANSFORMER AND PoE, W/LED, SHIELDED, VERTICAL TYPE			
REV : 01				
UNIT	DRAWN	CHKD	DATE	SHEET
mm[inch]	CINDY	DANIEL	Jan. 16, '18	1 of 4

2. PCB LAYOUT



SUGGESTED PCB LAYOUT
(FRONT VIEW) SCALE 2:1
DIMENSIONAL TOLERANCE: .XX ±0.08[0.003]

KPV-01F-4-P34-380

PRODUCT SERIES
KPV: VERTICAL MOUNT
PoE TYPE

MECHANICAL TYPE
01F: KPV, 1 PORT

LED COLOR OPTION

CIRCUIT TYPE

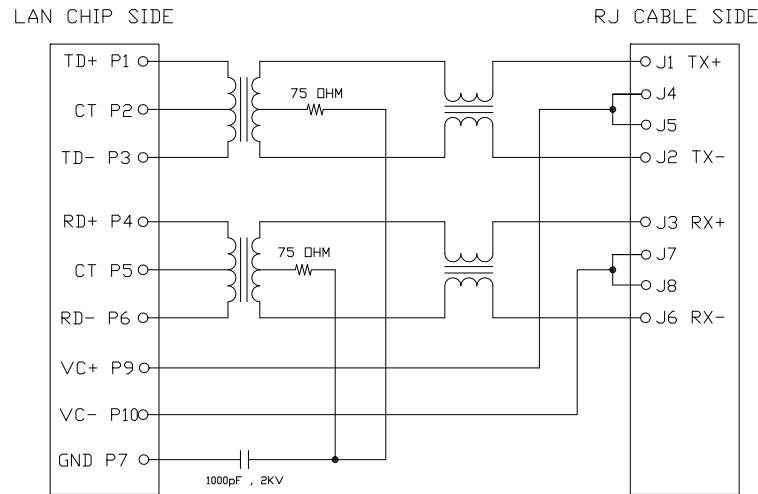
SPECIAL CODE
0: STANDAR

SHIELDED TYPE
8: NON-EMI FINGER

LED POLARITY
3: -, +

PART NO		KPV-01F-4-P34-380		
TITLE	RJ45, W/ 10/100 TRANSFORMER AND PoE, W/LED, SHIELDED, VERTICAL TYPE			
REV : 01				
UNIT	DRAWN	CHKD	DATE	SHEET
mm[inch]	CINDY	DANIEL	Jan. 16, '18	2 of 4

3. SCHEMATIC :



COLOR	VF(V) @20mA		IV(mcd) @20mA	IF(mA)	PEAK WAVE LENGTH λP(nm) @20mA
	TYP	MAX	TYP	TYP	TYP
GREEN	2.2	2.6	10	20	570
YELLOW	2.2	2.6	15	20	588

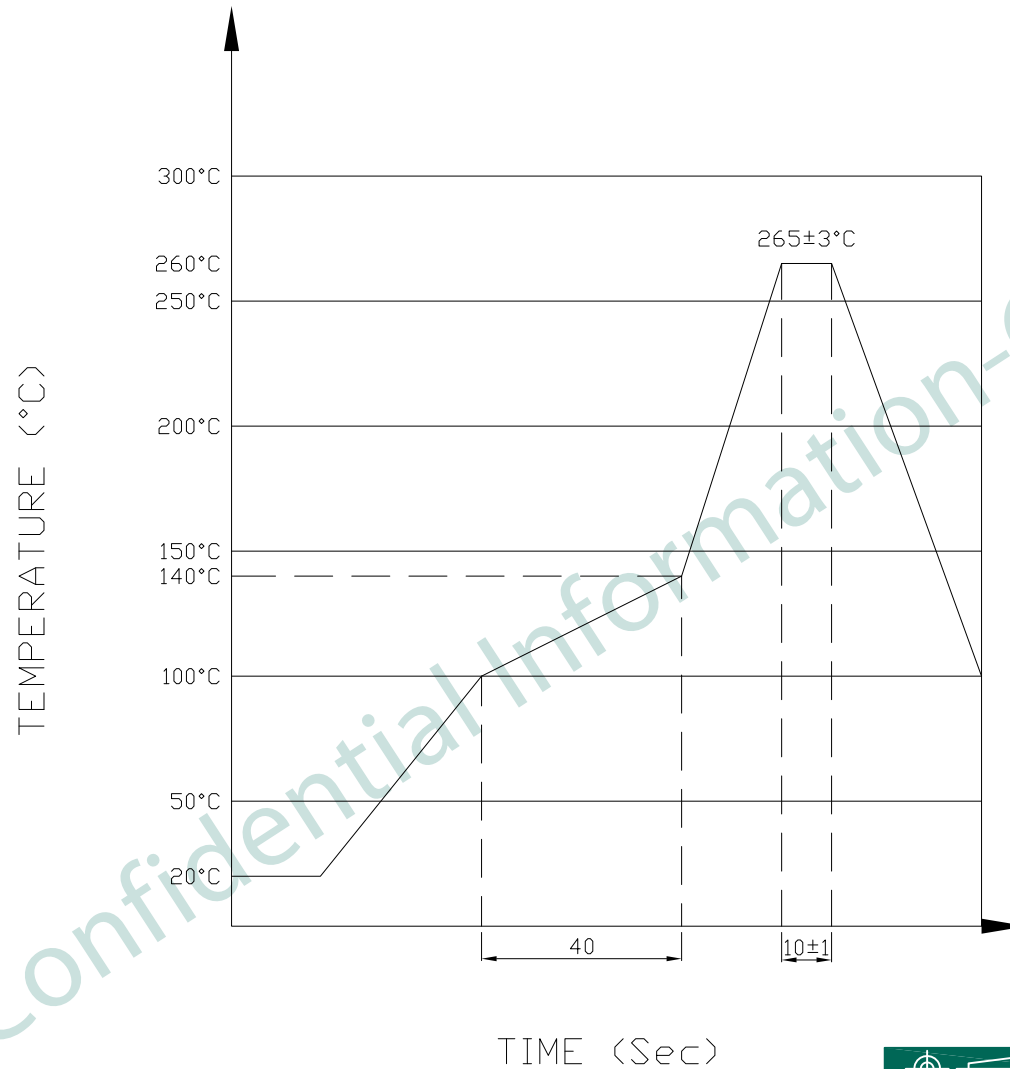
4. ELECTRICAL CHARACTERISTICS :

TEST NOTES:(25±5°C)

1. TR:
INPUT TO OUTPUT=1:1±3%
2. LX:(100KHz,100mV,8mA, DC Bias)
350uH MINIMUM
3. DCR:
EVERY RJ PAIR=1.2 Ω MAXIMUM
4. HIPOT:
INPUT(RJ SIDE) TO OUTPUT(LAN SIDE):
1500 VAC/60SEC
5. INSERTION LOSS:
-1.0dB MAXIMUM AT 0.3MHz TO 100MHz
6. RETURN LOSS:
-20dB MINIMUM AT 1MHz TO 30MHz
-15dB MINIMUM AT 30MHz TO 60MHz
-10dB MINIMUM AT 60MHz TO 80MHz
7. CROSS TALK:
-30dB MINIMUM AT 1MHz TO 100MHz
8. COMMON TO COMMON MODE REJECTION:
-30dB MINIMUM AT 1MHz TO 100MHz
9. WORKING CURRENT FOR PoE: 360mA DC MAX

PART NO		KPV-01F-4-P34-380		
TITLE	RJ45, W/ 10/100 TRANSFORMER AND PoE, W/LED, SHIELDED, VERTICAL TYPE			
REV : 01				
UNIT	DRAWN	CHKD	DATE	SHEET
mm[inch]	CINDY	DANIEL	Jan. 16, '18	3 of 4

5. PROFILE OF WAVE SOLDER :



The measuring point for the specified temperature shall be on the soldered part of the lead

PART NO KPV-01F-4-P34-380				
TITLE	RJ45, w/ 10/100 TRANSFORMER AND PoE, w/LED, SHIELDED, VERTICAL TYPE			
REV : 01				
UNIT	DRAWN	CHKD	DATE	SHEET
mm[inch]	CINDY	DANIEL	Jan. 16, '18	4 of 4