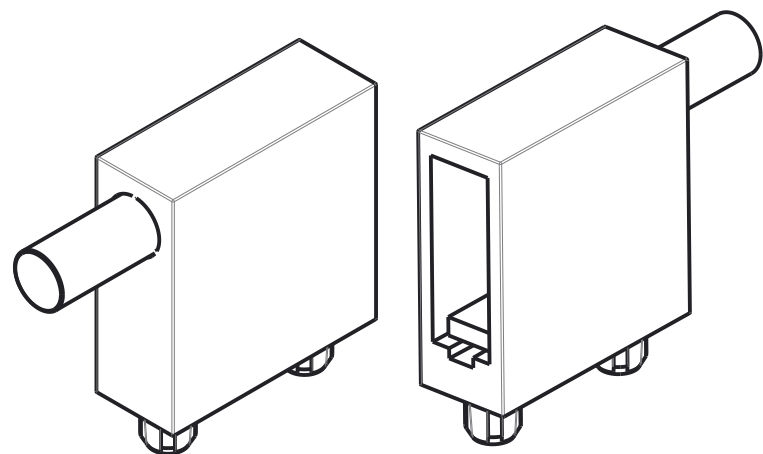
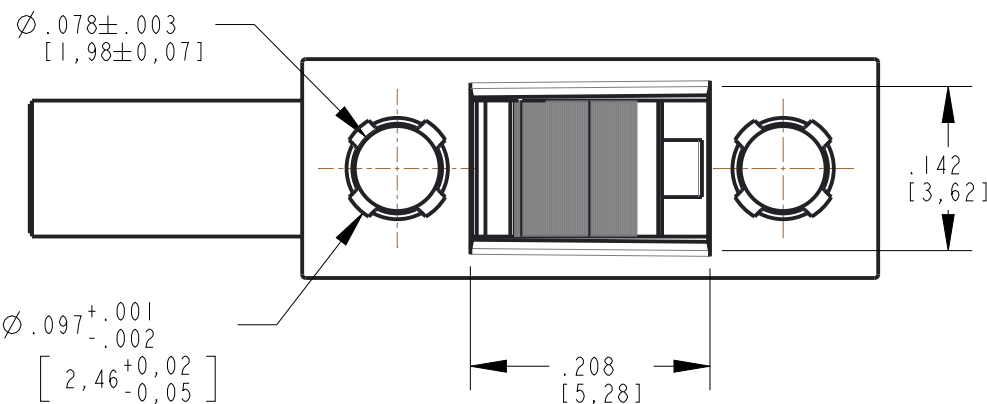
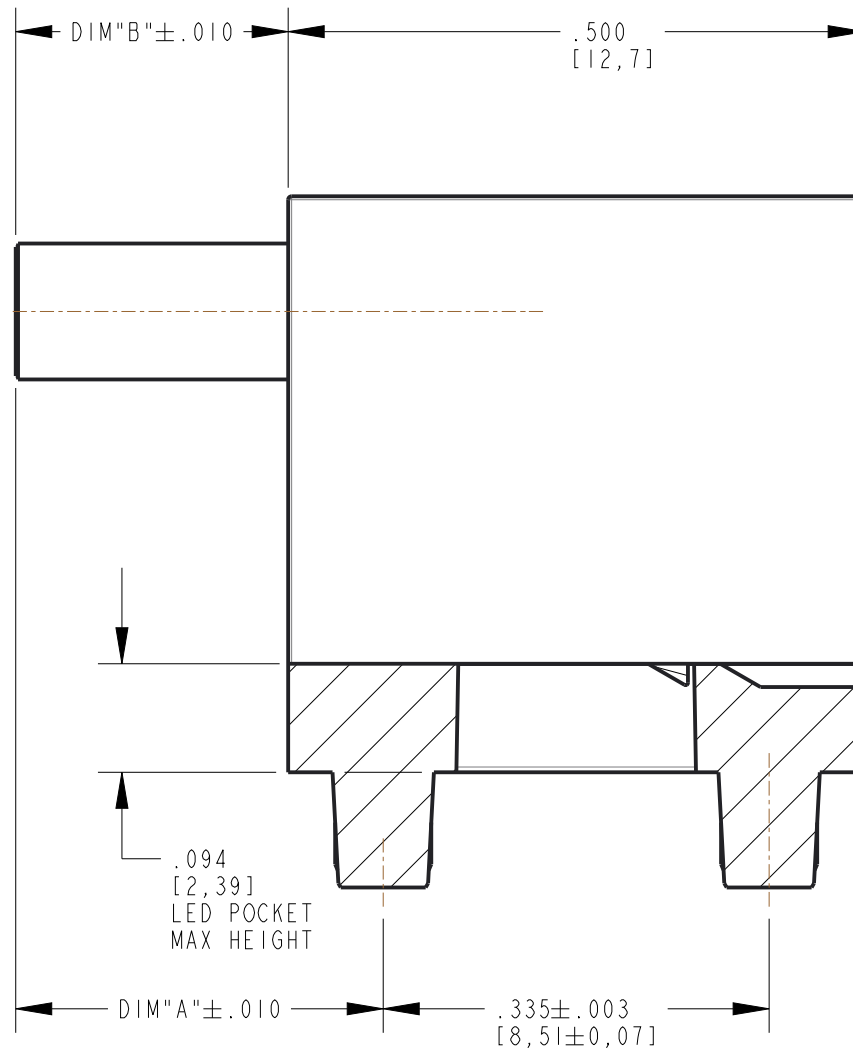
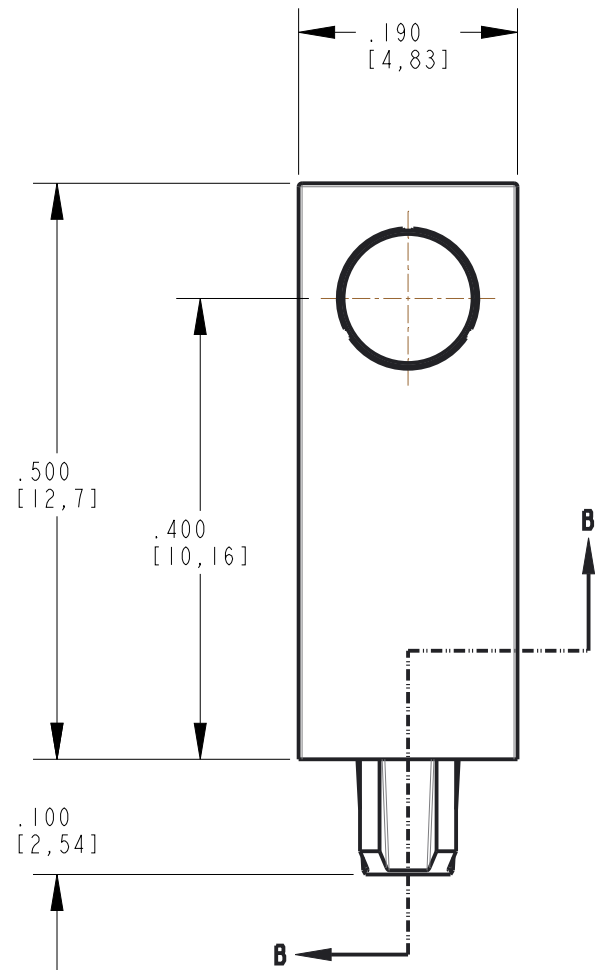


PART NUMBER	DIM "A" in[mm]	DIM "B" in[mm]
515-1254-0319F	.319 [8,1]	.237 [6,01]
515-1254-0590F	.590 [15,00]	.508 [12,90]
515-1254-0839F	.839 [21,31]	.757 [19,23]
515-1254-1181F	1.181 [30,00]	1.099 [27,91]
515-1254-1772F	1.772 [45,00]	1.690 [42,93]

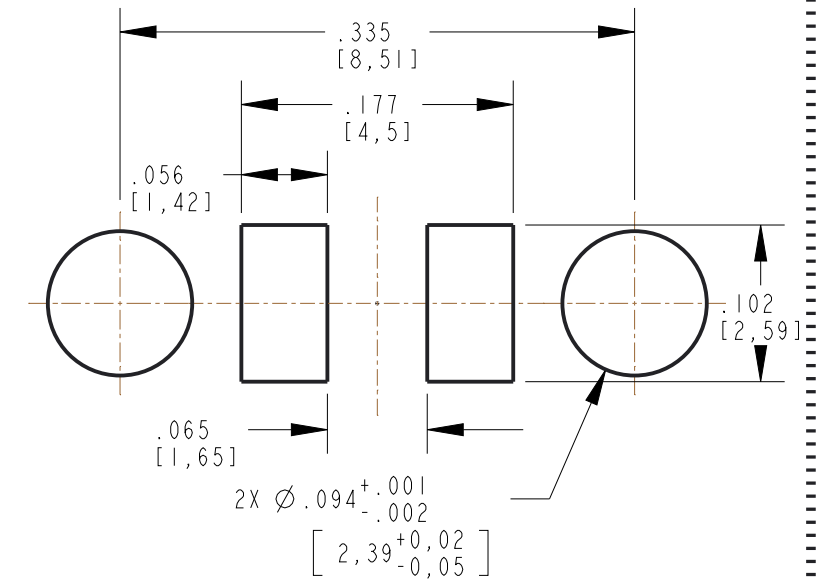
NOTES:

1. THIS PRODUCT IS RoHS COMPLIANT. EACH BAG IS MARKED WITH RoHS COMPLIANT OR EQUIVALENT MARKINGS.
2. SUGGESTED PAD LAYOUT FOR SM PLLC 2 AND PLCC-4 LEADS.
3. SUGGESTED LEDS:  
 597-3XXX-207F/NF, 598-8BX0-107F,  
 BI-COLOR: 597-77XX-207F,007F  
 TRI-COLOR: 597-77XX-007F,907F

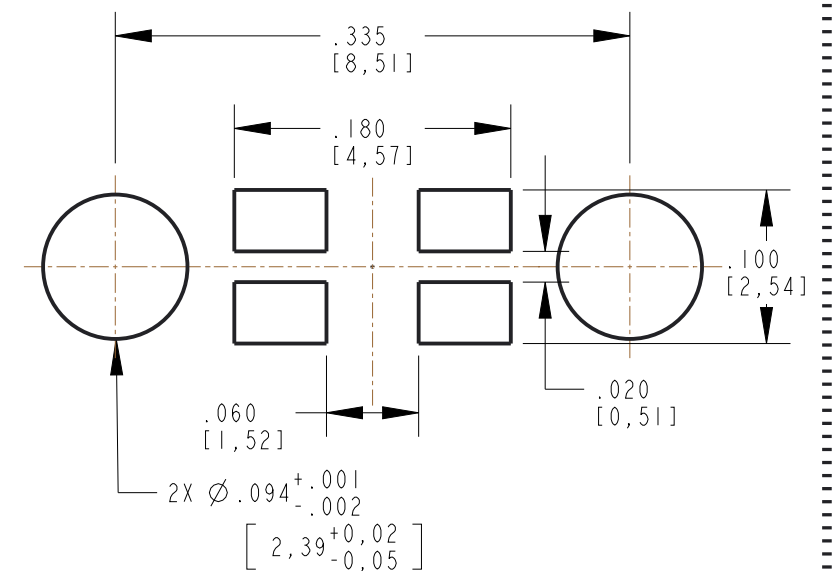


REV	REVISIONS	DRN	CKD	APP	QA	CM	DATE
A	NEW RELEASE	LD					


RECOMMENDED HOLE & PAD LAYOUT: SINGLE COLOR



RECOMMENDED HOLE & PAD LAYOUT: MULTI COLOR



THIS DRAWING AND THE CONTENTS HEREIN ARE CONFIDENTIAL AND THE SOLE PROPERTY OF DIALIGHT CORP. REPRODUCTION OF THIS DRAWING OR CONSTRUCTION OF ANY PARTS WITHIN THIS DRAWING ARE FORBIDDEN WITHOUT THE WRITTEN CONSENT OF DIALIGHT CORP.

DIALIGHT CORP INTERNAL REFERENCE ONLY = 3D MODEL : 5151254XXXXF-A.11		REV
SCALE: 6.000	DRAWING NUMBER	A
ALL DIM'S: INCH (mm)	C-18535	
TOLERANCES: UNLESS OTHERWISE SPECIFIED	TITLE	VARIABLE LP ASSEMBLY .400" HEIGHT
FRACTIONS: ±1/64	MATERIAL	
DECIMALS (.XX): ±.01	 1501 ROUTE 34 SOUTH FARMINGDALE, NJ 07727 (732) 919-3119 www.dialight.com	
DECIMALS (.XXX): ±.005		
DECIMALS (.XXXX): ±.0005		
ANGLES: ±1°	FINISH	
FSCM 83330	SHEET 1 OF 1	FAMILY TABLE: