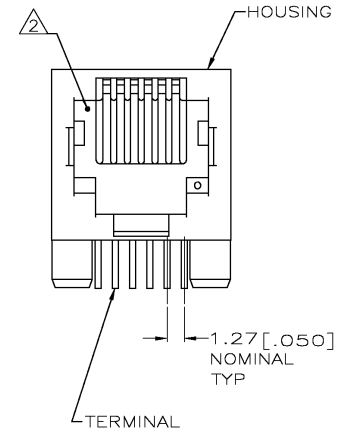
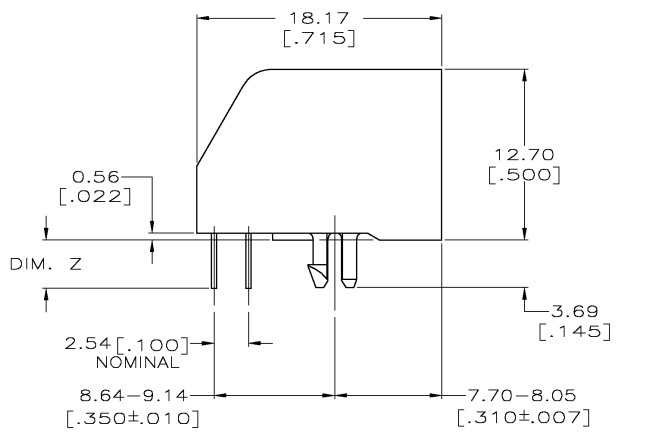
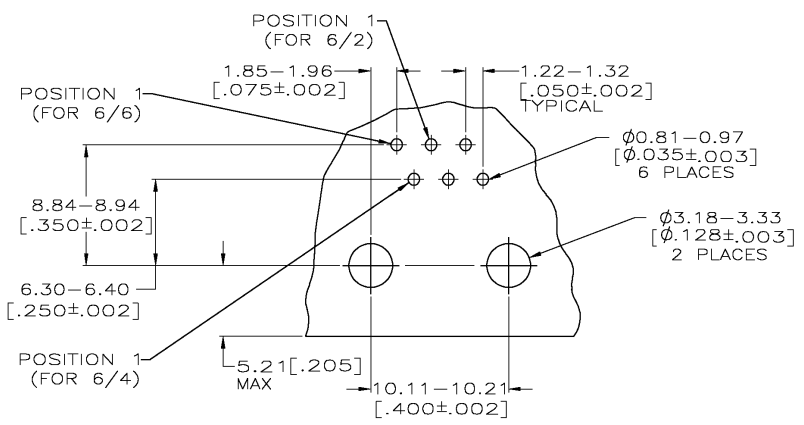
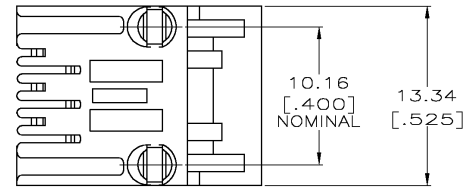


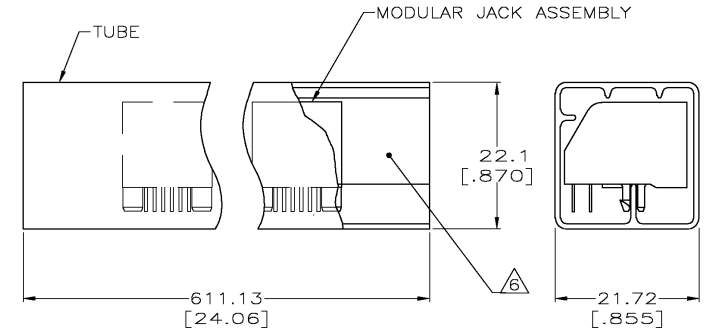
LOC		DST		REVISIONS			
P	LTR	DESCRIPTION	DATE	DWN	APVD		
AA	22						
	K	ADDED:-5 PER EC 0511-0106-03	16JUL2003	DD	BK		



- ⚠ MATERIAL: HOUSING - HTN MOLDING COMPOUND, 94v-0 RATED, BLACK, IR COMPATIBLE. TERMINAL - 0.35[.0138] THICK PHOSPHOROUS-BRONZE PLATED WITH 1.27μm[.000050] MINIMUM THICK GOLD IN LOCALIZED GOLD PLATE AREA AND 3.81μm[.000150] MINIMUM THICK TIN-LEAD IN SOLDER AREA OVER 1.27μm[.000050] MINIMUM THICK NICKEL UNDERPLATE.
- ⚠ JACK CAVITY CONFORMS TO FCC RULES AND REGULATIONS PART 68, SUBPART F.
- ⚠ DIMENSIONS ARE MAXIMUM UNLESS OTHERWISE SPECIFIED.
- ⚠ BULK PACKAGED IN A TRAY.
- ⚠ THIS ASSEMBLY IS SURFACE MOUNTING COMPATIBLE.
- ⚠ 43 ASSEMBLIES PACKAGED PER TUBE, SEE DETAIL "E".
- ⚠ TERMINALS LOCATED IN THE CENTER POSITIONS FOR 569026-4 AND -5 ONLY.



SUGGESTED PRINTED CIRCUIT BOARD MOUNTING HOLE LAYOUT  
VIEW SHOWN IS COMPONENT SIDE OF BOARD



	3.6±0.3[.14±.01]	⚠	⚠	2	⚠	569026-5
	3.8±0.5[.15±.02]	⚠	⚠	4	⚠	569026-4
SUPERSEDED BY 569026-1	2.9±0.25[.115±.010]	⚠	⚠	6	⚠	569026-3
SUPERSEDED BY 569026-1	3.6±0.3[.14±.01]	⚠	⚠	6	⚠	569026-2
	3.6±0.3[.14±.01]	⚠	⚠	6	⚠	569026-1
	DIM. Z		PACKAGED	TERMINALS REQUIRED		PART NUMBER

THIS DRAWING IS A CONTROLLED DOCUMENT.		DWN DL DRUMMOND 11-JUN-98		Tyco Electronics Corporation	
DIMENSIONS: MM (INCHES)		CHK P. HUSSEY 27-JUN-98		Harrisburg, PA 17105-3608	
TOLERANCES UNLESS OTHERWISE SPECIFIED:		APVD J. TONEY 27-JUN-98		NAME	
0 PLC ± -	1 PLC ± -	PRODUCT SPEC: 108-1163		MODULAR JACK ASSEMBLY, 6 POSITION, LOW PROFILE, RIGHT ANGLE (IR)	
2 PLC ± -	3 PLC ± -	APPLICATION SPEC: 114-2048		SIZE CASE CODE DRAWING NO RESTRICTED TO	
4 PLC ± -	ANGLES ± -	WEIGHT		A2 00779 569026	
MATERIAL	FINISH	CUSTOMER DRAWING		SCALE 4:1 SHEET 1 OF 1 REV K	