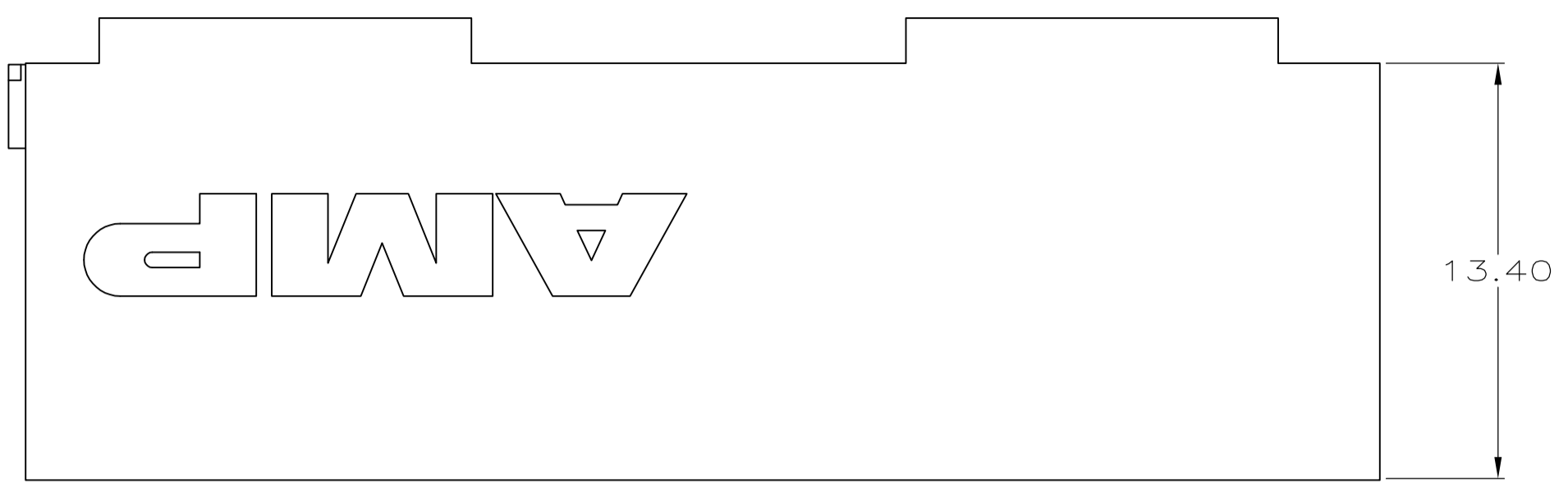
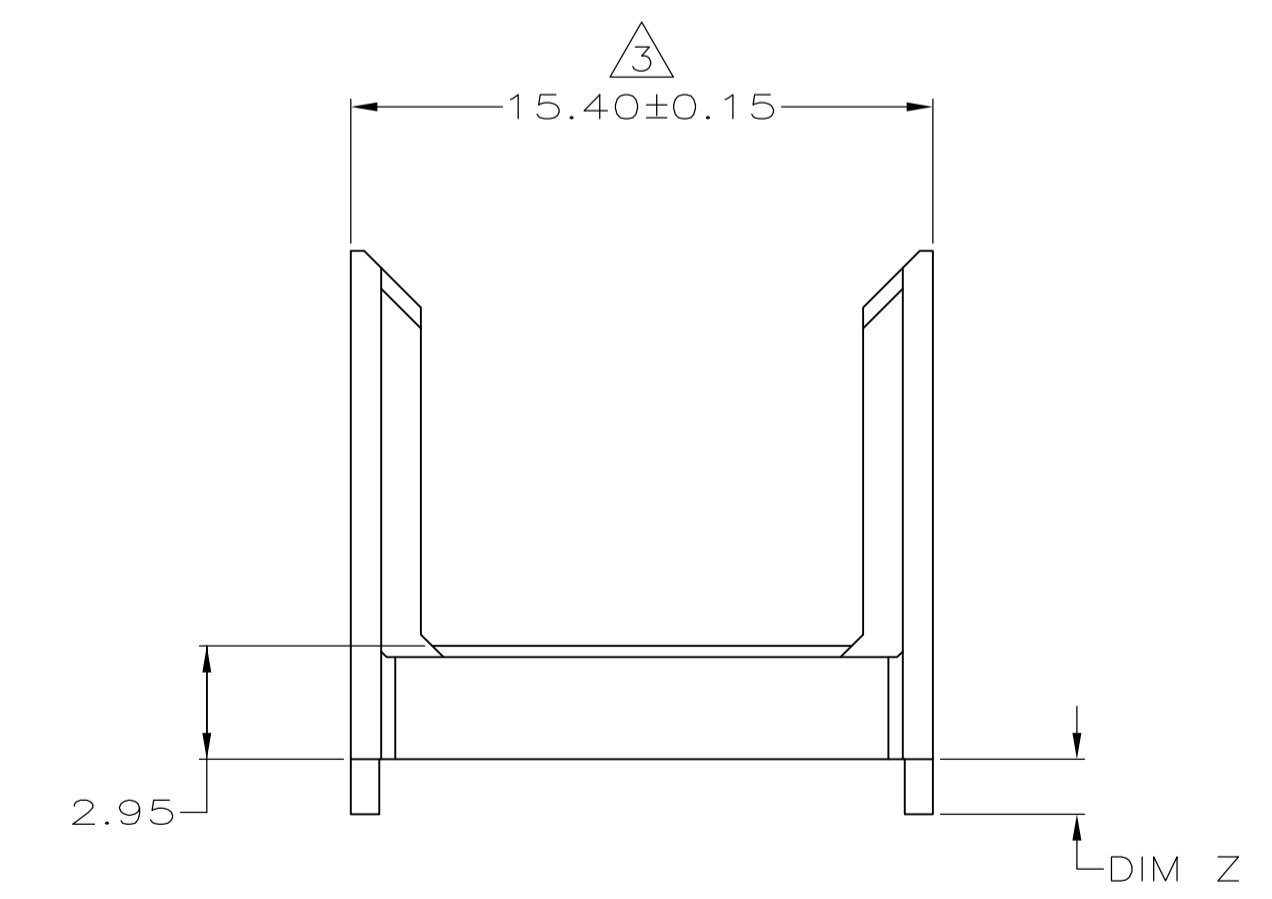
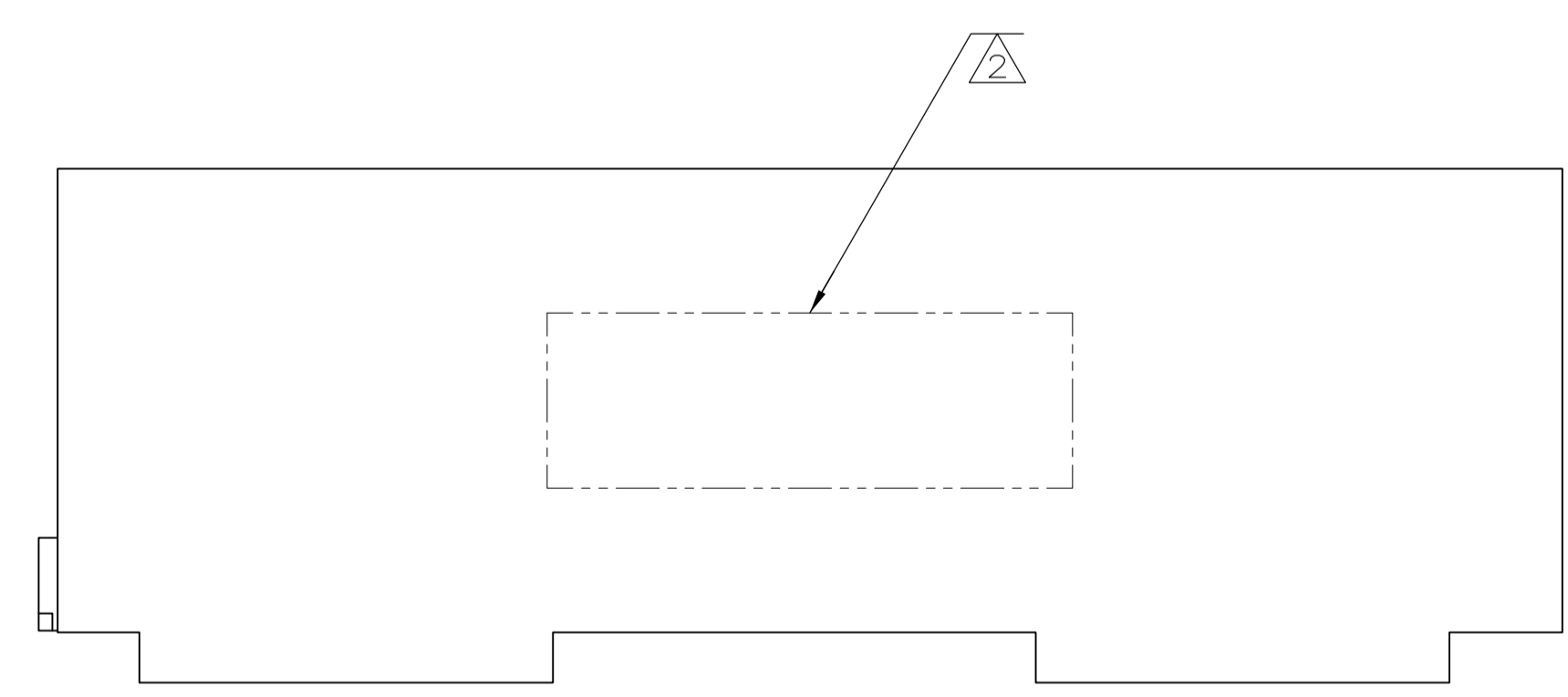
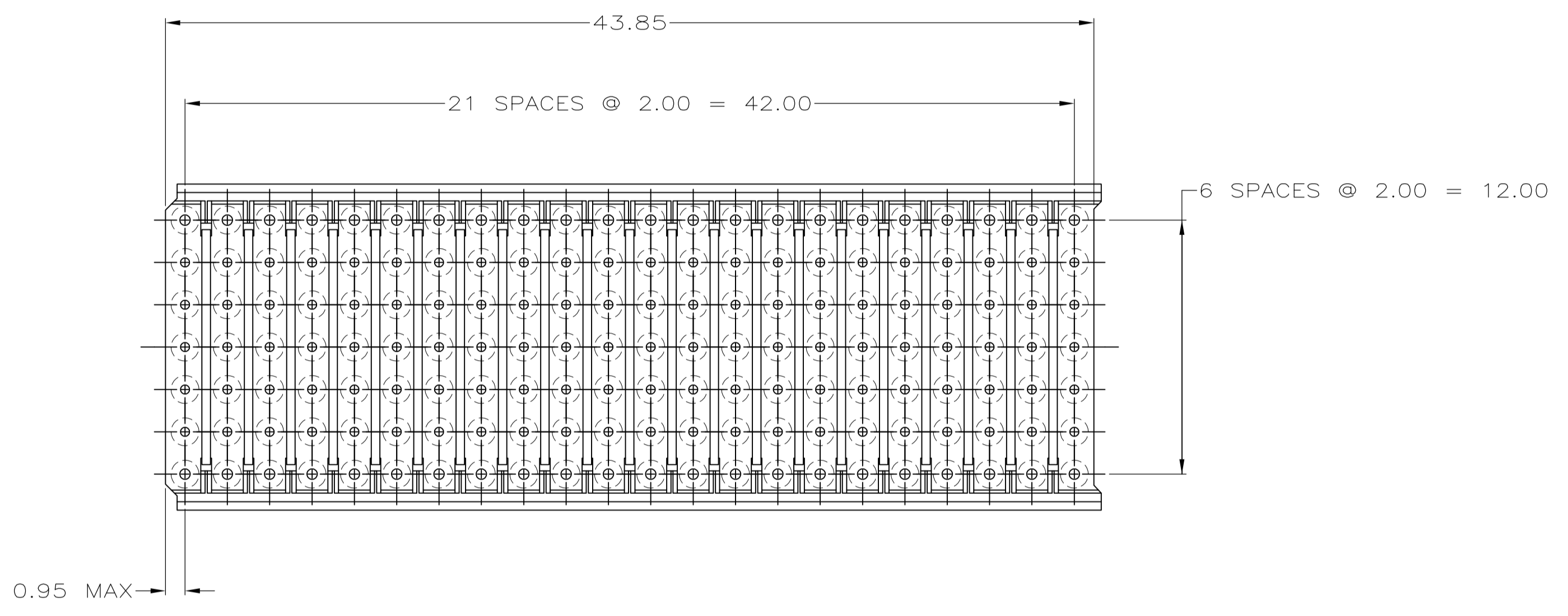


LOC		DIST		REVISIONS			
AD	47	SP	LTR	DESCRIPTION	DATE	DWN	APVD
		C		REV PER EC 0U1B-0192-01	27 JUN 01	BC	RP
		C1		REVISED PER ECO-10-000443	15JAN10	KK	AEQ
		D		ECR-10-019054	15SEP10	DP	MQW



- △ MATERIAL: GLASS FILLED POLYESTER.
- △ PART NUMBER MARKED IN APPROXIMATE AREA SHOWN.
- △ TO BE MEASURED AT BASE OF SHROUD.
- △ OBSOLETE PARTS: OBSOLETE CIS STREAMLINING PER D.RENAUD/D.SINISI



△ OBSOLETE	1.90	646482-7
△ OBSOLETE	1.70	646482-6
	1.50	646482-5
	1.30	646482-4
△ OBSOLETE	1.10	646482-3
	0.90	646482-2
		646482-1
	DIM Z	PART NUMBER

THIS DRAWING IS A CONTROLLED DOCUMENT		DWN	T. SHUEY	9-29-98	AMP Incorporated Harrisburg, PA 17105-3608
DIMENSIONS: mm		CHK	G. SKIPPER	11-23-98	
TOLERANCES UNLESS OTHERWISE SPECIFIED:		APVD	G. SKIPPER	11-23-98	NAME
0-PLC	±	PRODUCT SPEC		SHROUD, TYPE B,Z-PACK 2mm HM,	
1-PLC	±	APPLICATION SPEC		5 ROW, 154 POSITION	
2-PLC	±0.05	WEIGHT		SIZE	CAGE CODE
3-PLC	±	CUSTOMER DRAWING		DRAWING NO	RESTRICTED TO
4-PLC	±	SCALE		A100779	646482
ANGLES	±	SHEET		1	OF 1
		REV			