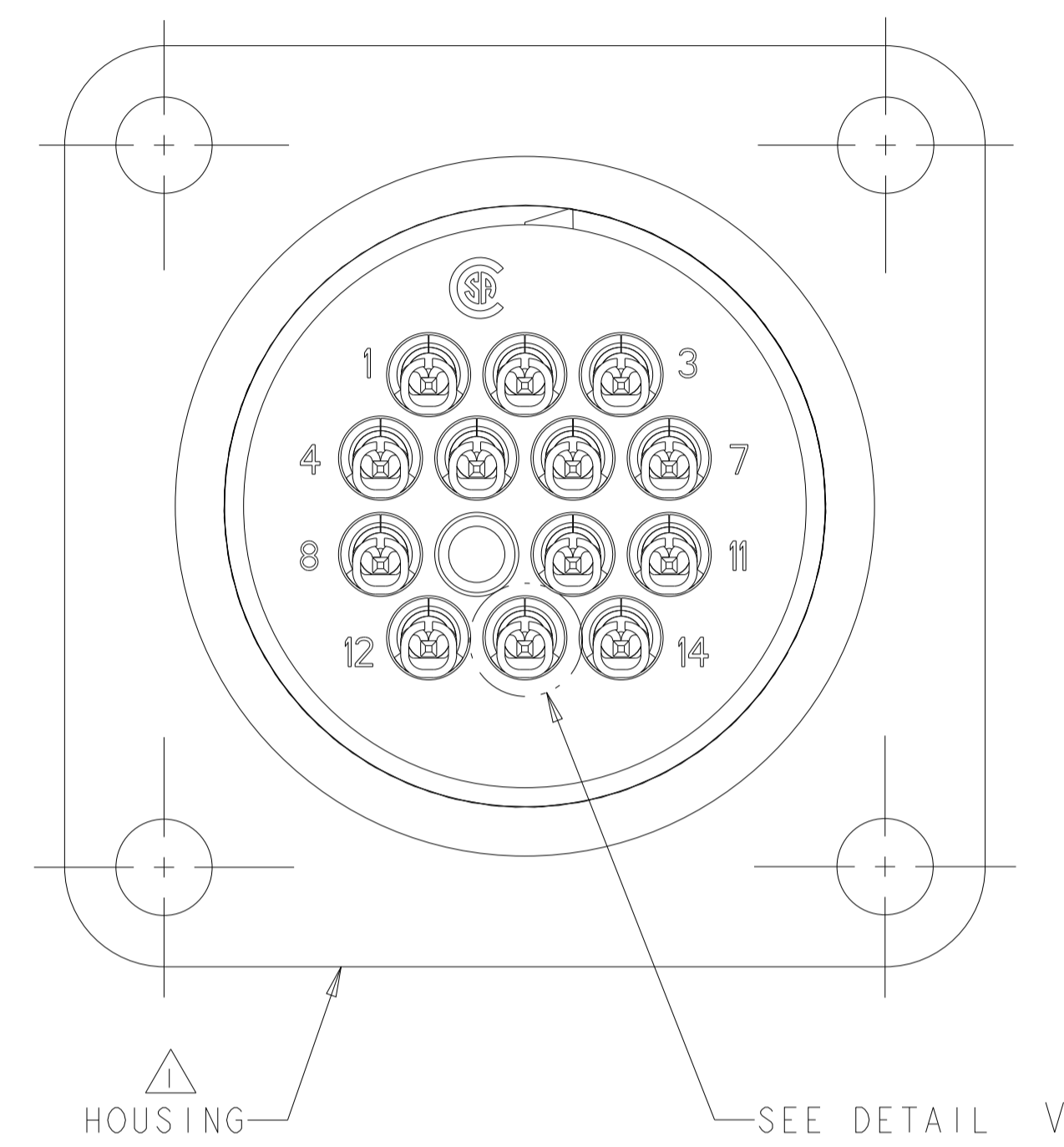
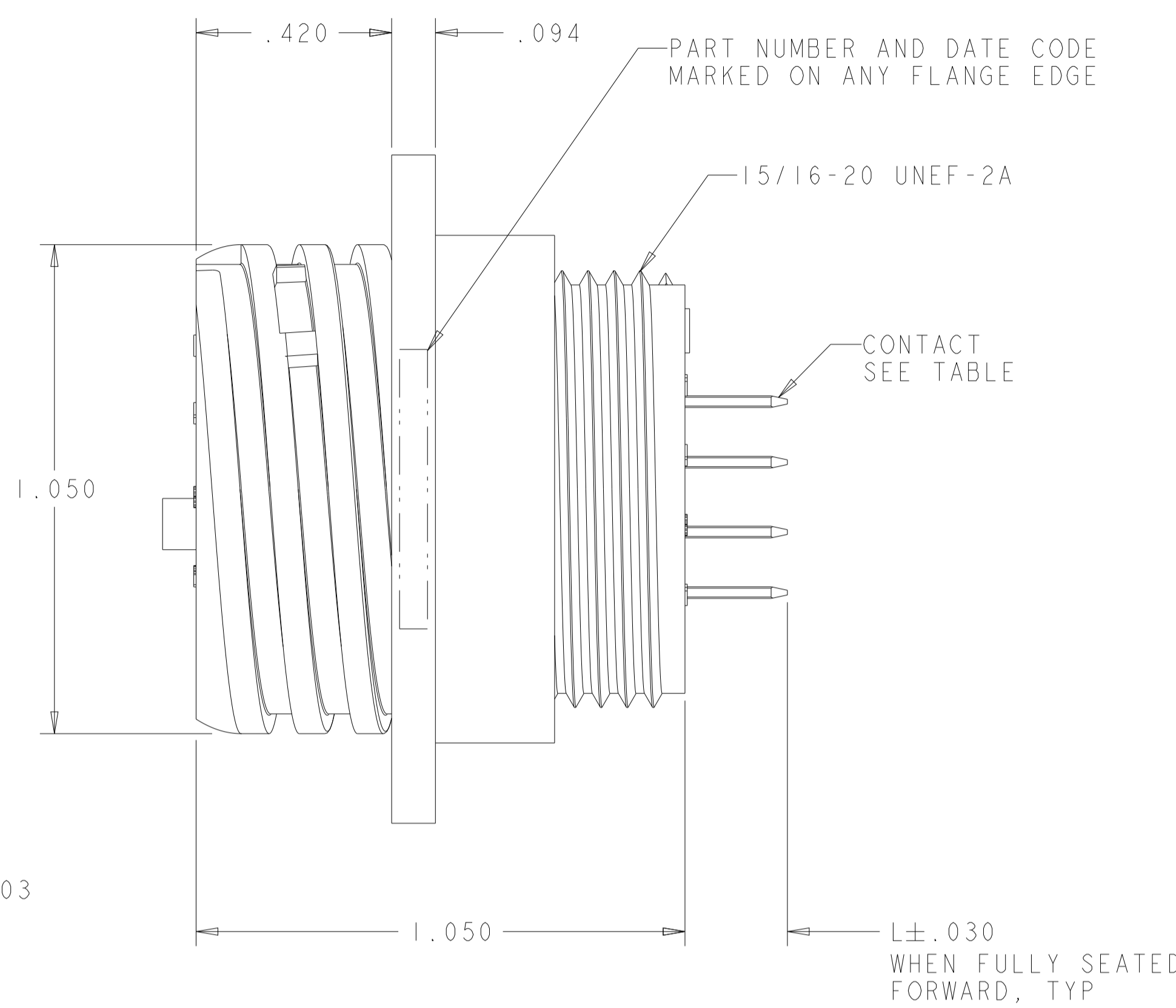
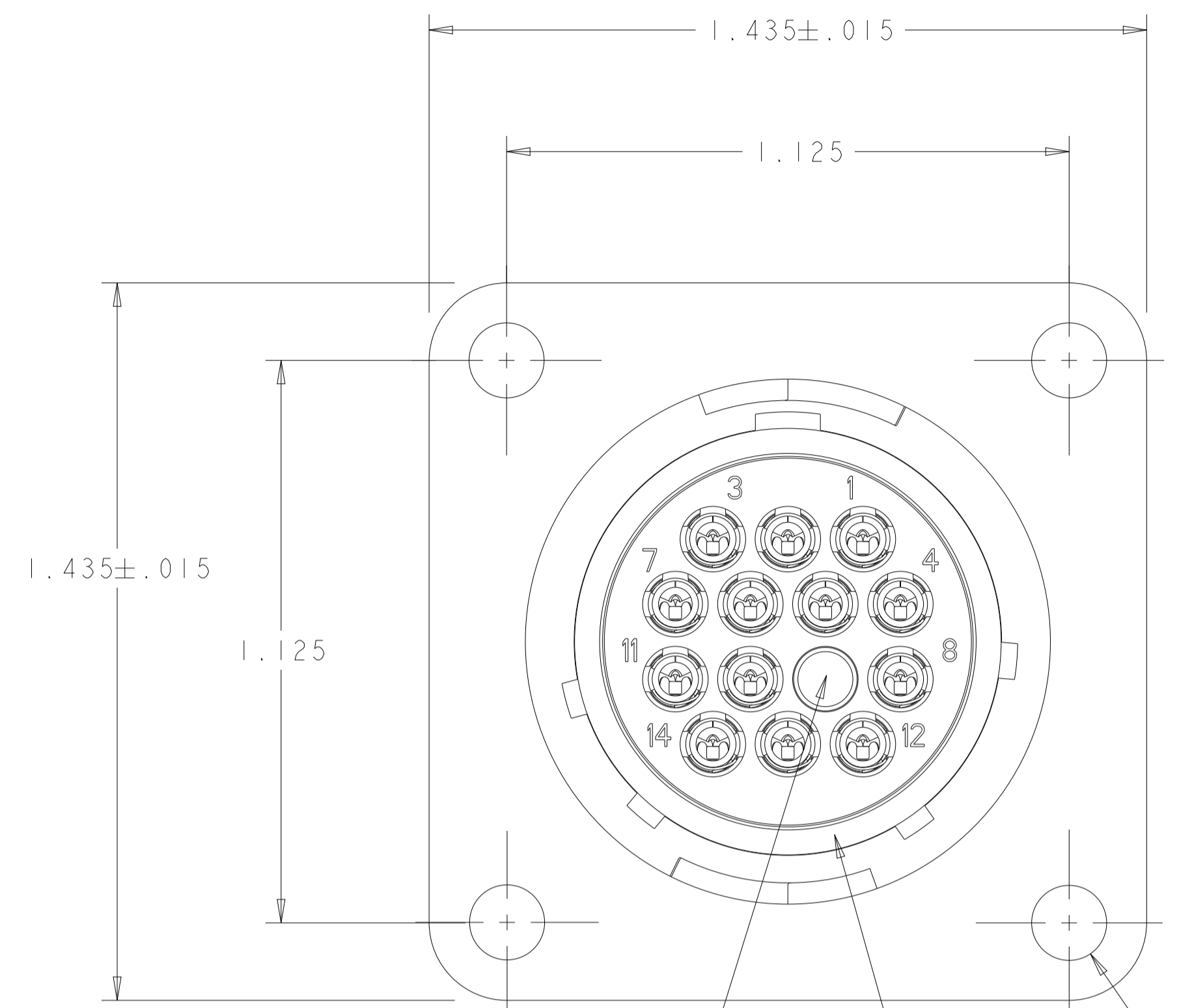
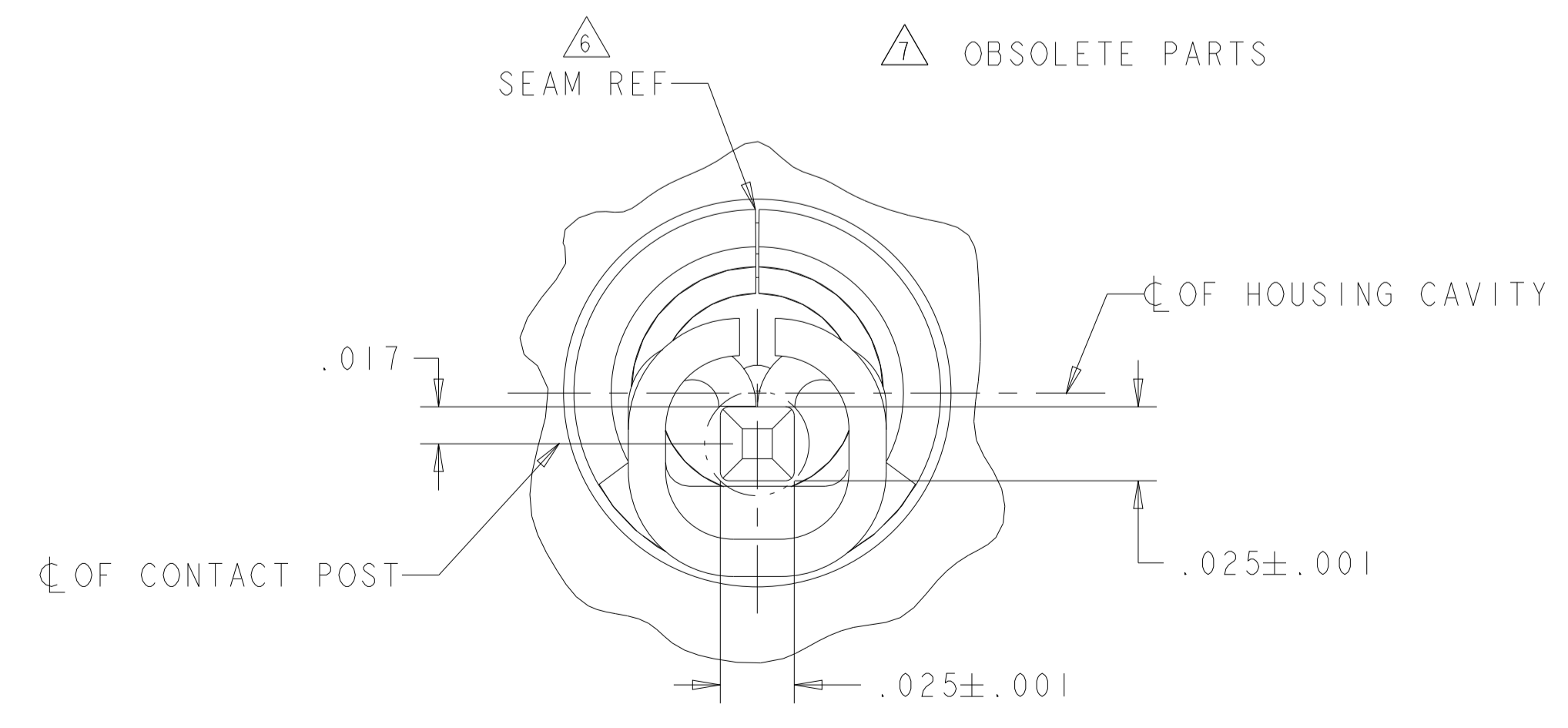


REVISIONS				
P	LTN	DESCRIPTION	DATE	APVD
T2		REVISED PER ECR-22-150475	29AUG2022	RK MZ



KEYING PLUG SEE TABLE
 PERIPHERAL SEAL SEE TABLE
 Ø .150±.003 4 PLC

- 1 HOUSING: NYLON, UL 94 V-0 RATED, BLACK.
- 2 CONTACT:
 BODY - BRASS, .000100 MIN TIN-LEAD OVER .000050 MIN NICKEL.
 POST - BRASS, .000100 MIN TIN-LEAD OVER .000050 MIN NICKEL.
- 3 CONTACT:
 BODY - BRASS, .000100 MIN TIN OVER .000050 MIN NICKEL.
 POST - BRASS, .000100 MIN TIN OVER .000050 MIN NICKEL.
- 4 PERIPHERAL SEAL: ELASTOMER, BLACK.
- 5 KEYING PLUG: NYLON, NATURAL.
- 6 .009 MAXIMUM CONTACT LEAD-IN SEAM GAP PERMISSIBLE ON MATING FACE END.
- 7 OBSOLETE PARTS



DETAIL V
 SCALE 20:1

STATUS	L	KEYING PLUG	PERIPHERAL SEAL	FINISH	QTY	SELECT LOAD IN POSITIONS	PART NUMBER
OBSOLETE				3	13	1-5, 7-14	213825-8
				3	14	ALL	1-213825-7
				3	11	1, 3, 4, 6, 8-14	1-213825-6
		POSN 9		3	13	1-8, 10-14	1-213825-5
				3	13	1-5, 7-14	1-213825-4
OBSOLETE				2	12	1, 2, 4, 5, 7-14	213825-3
OBSOLETE		POSN 9		2	13	1-8, 10-14	213825-2
OBSOLETE				2	13	1-5, 7-14	213825-1
OBSOLETE				2	11	1, 3, 4, 6, 8-14	213825-0
OBSOLETE		POSN 9		2	13	1-8, 10-14	213825-5
OBSOLETE				2	13	1-5, 7-14	213825-4
OBSOLETE				2	13	1-5, 7-14	213825-3
OBSOLETE				2	11	1, 3, 4, 6, 8-14	213825-2
OBSOLETE				2	14	ALL	213825-1

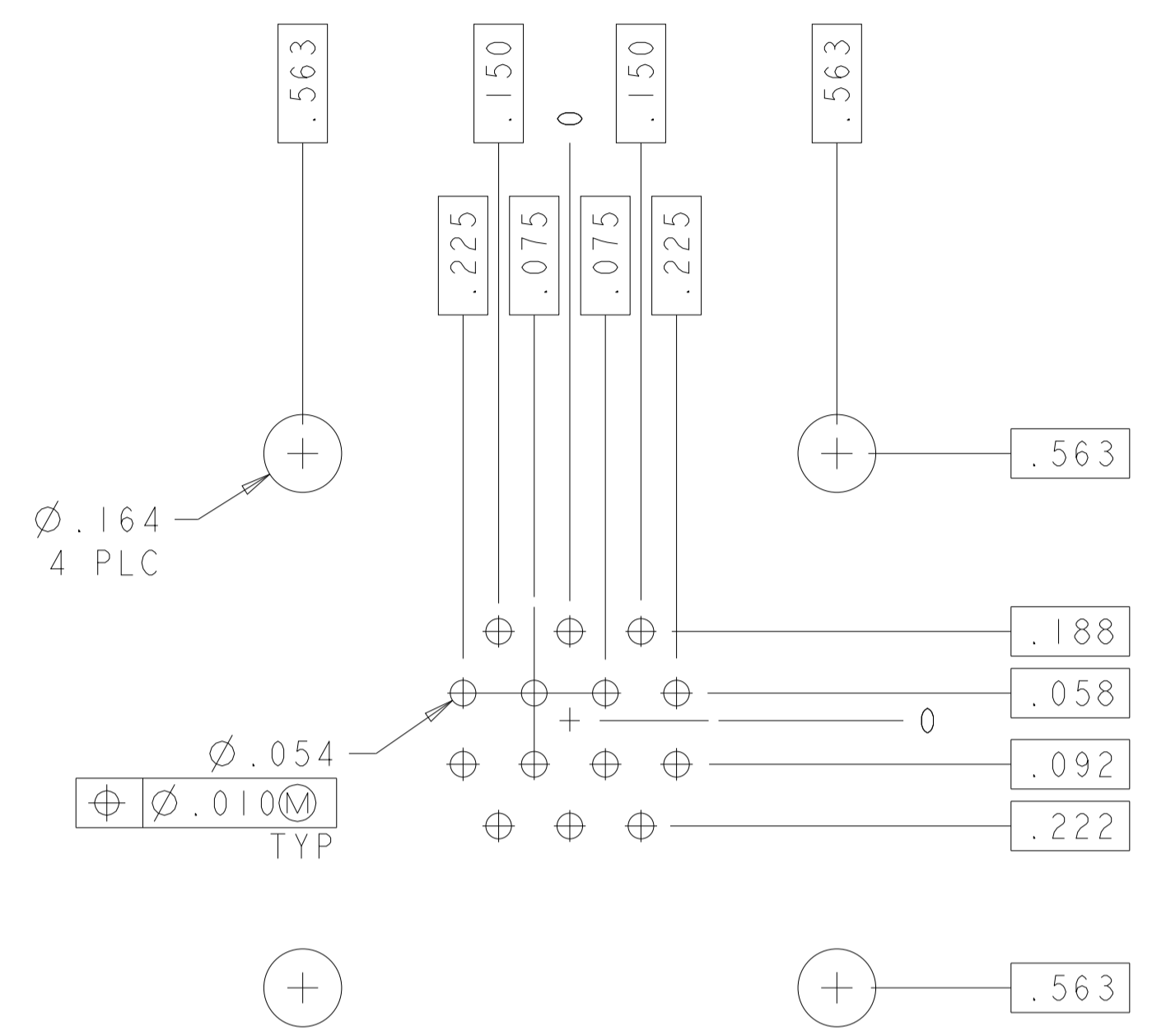
THIS DRAWING IS A CONTROLLED DOCUMENT. DWG: S.WELDON 23MAY2003
 CHK: S.HEADER 23MAY2003
 DIMENSIONS: INCHES TOLERANCES UNLESS OTHERWISE SPECIFIED:
 0 PLC ±.0
 1 PLC ±.0
 2 PLC ±.0
 3 PLC ±.0
 4 PLC ±.010
 ANGLES ±.0
 MATERIAL: FINISH: WEIGHT: CUSTOMER DRAWING

APVD: S.HEADER 23MAY2003
 PRODUCT SPEC: APPLICATION SPEC: SIZE: CAGE CODE: DRAWING NO: A100779
 NAME: RECEPTACLE ASSEMBLY, POSTED, SERIES 1, REVERSE SEX, CPC
 RESTRICTED TO: SCALE: 4:1 SHEET 1 OF 2 REV T2

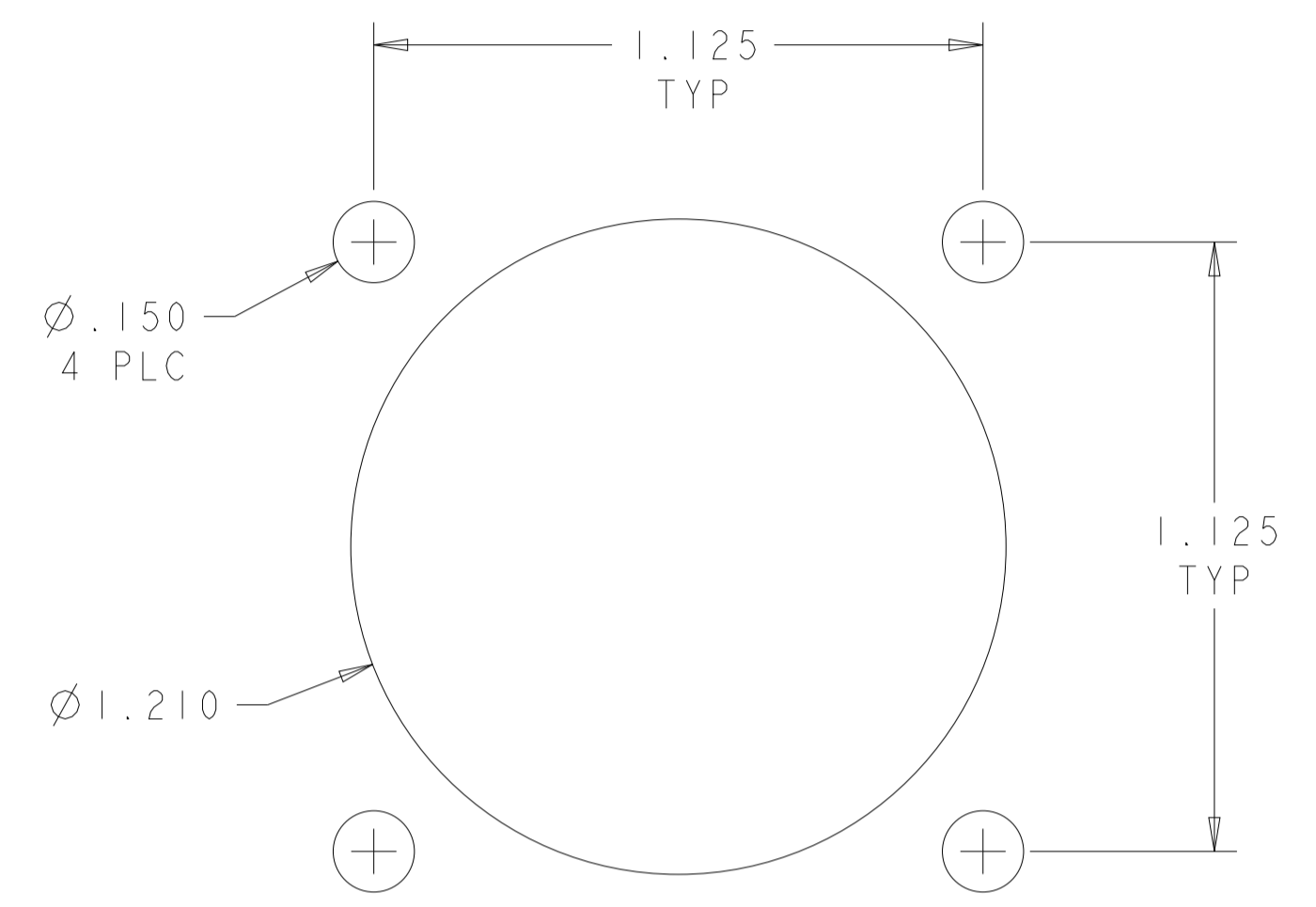
TE Connectivity

THIS DRAWING IS UNPUBLISHED. RELEASED FOR PUBLICATION 20
 © COPYRIGHT 20 BY - ALL RIGHTS RESERVED.

REVISIONS				
P	LTN	DESCRIPTION	DATE	APVD
-		SEE SHEET 1	-	-



RECOMMENDED PC BOARD LAYOUT
 SCALE 3:1



RECOMMENDED PANEL LAYOUT
 .125 MAX PANEL THICKNESS
 SCALE 3:1

THIS DRAWING IS A CONTROLLED DOCUMENT.		DWN S. WELDON 23MAY2003 CHK S. HEADER 23MAY2003 APVD S. HEADER 23MAY2003	
DIMENSIONS: INCHES	TOLERANCES UNLESS OTHERWISE SPECIFIED: 0 PLC ±0 1 PLC ±0 2 PLC ±0 3 PLC ±0.010 4 PLC ±0 ANGLES ±0 FINISH -	NAME RECEPTACLE ASSEMBLY, POSTED, SERIES 1, REVERSE SEX, CPC PRODUCT SPEC - APPLICATION SPEC -	
MATERIAL -	WEIGHT -	SIZE A1 CAGE CODE 00779 DRAWING NO C=213825	RESTRICTED TO -
CUSTOMER DRAWING		SCALE 4:1	SHEET 2 OF 2 REV T2