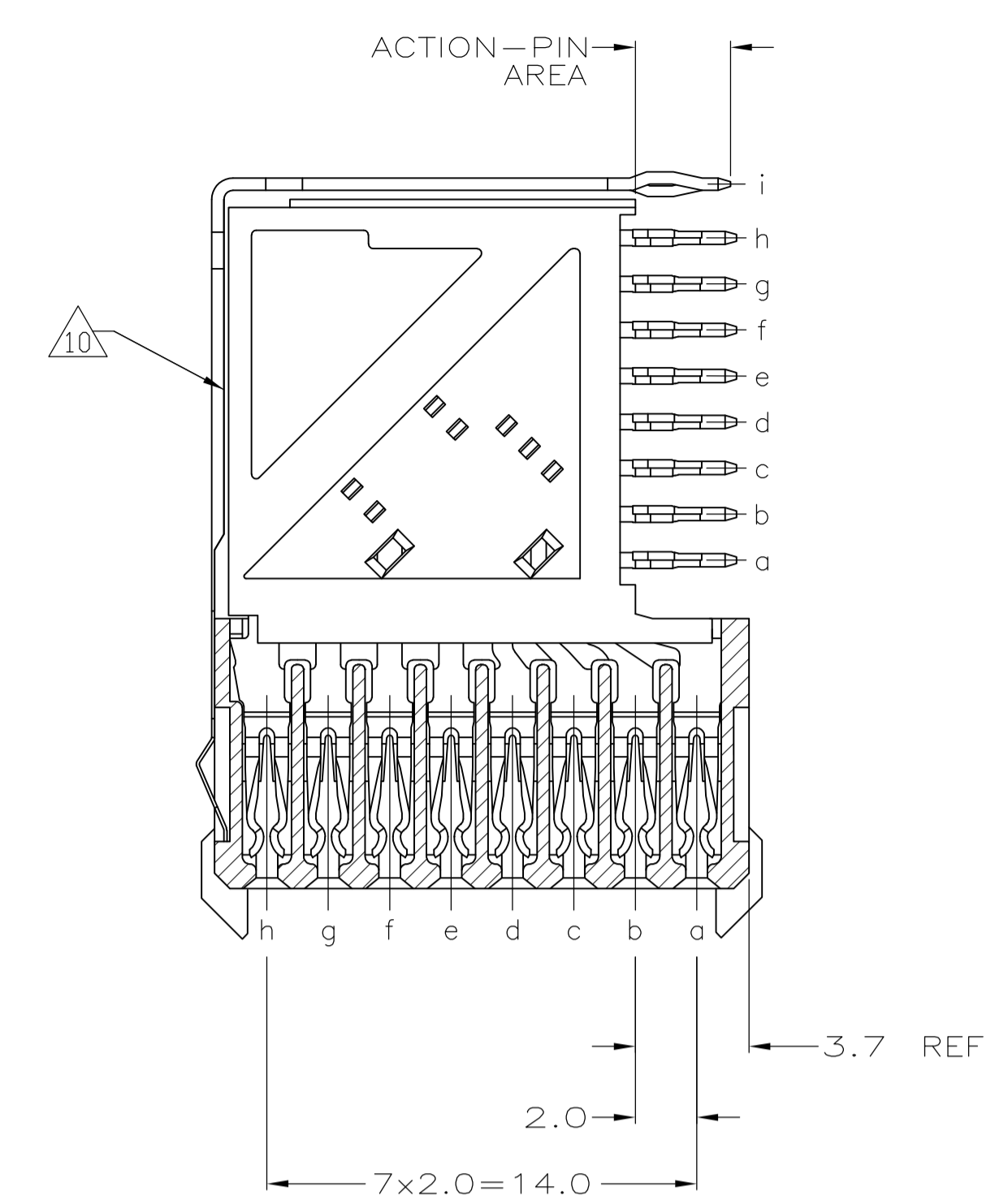
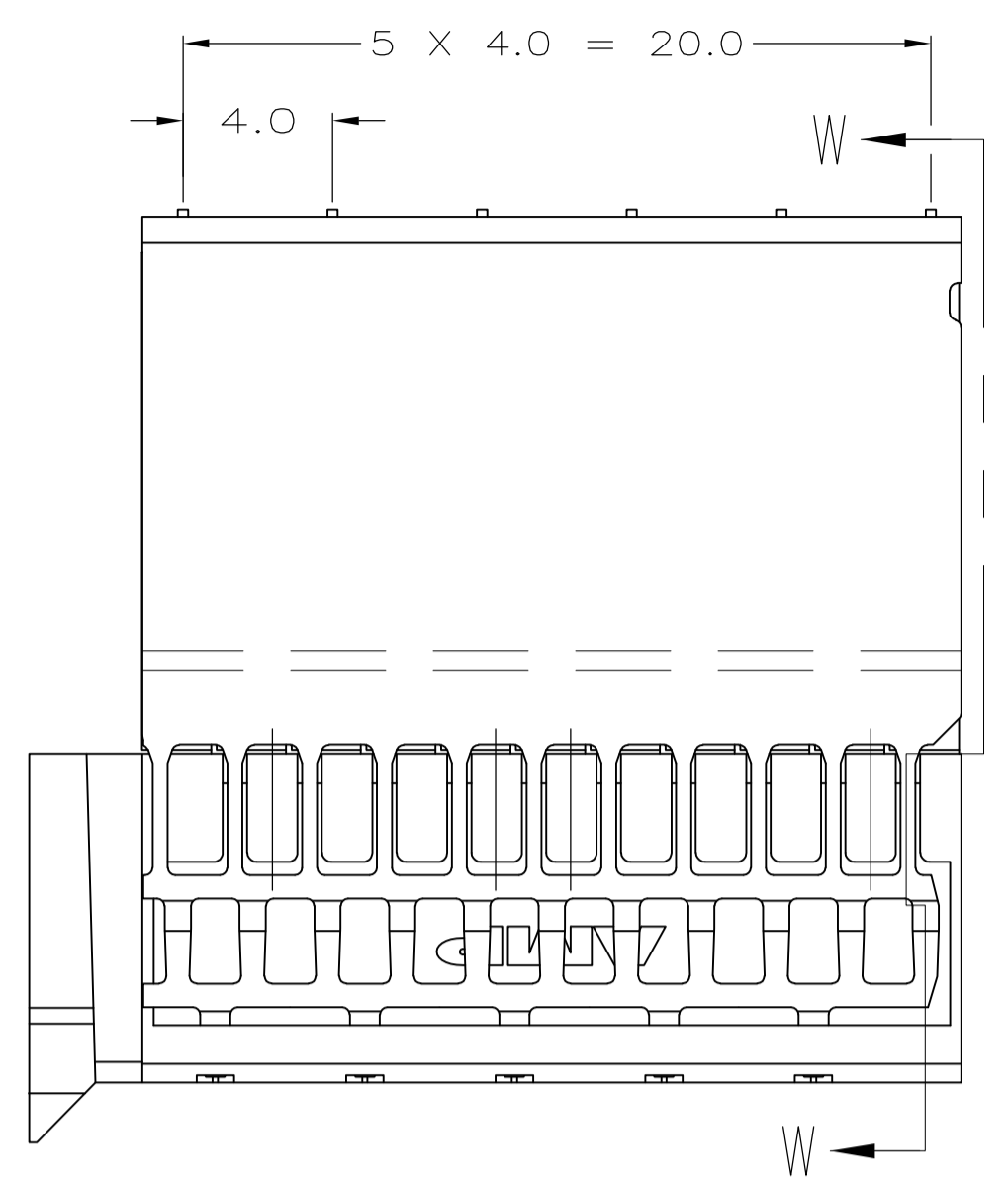
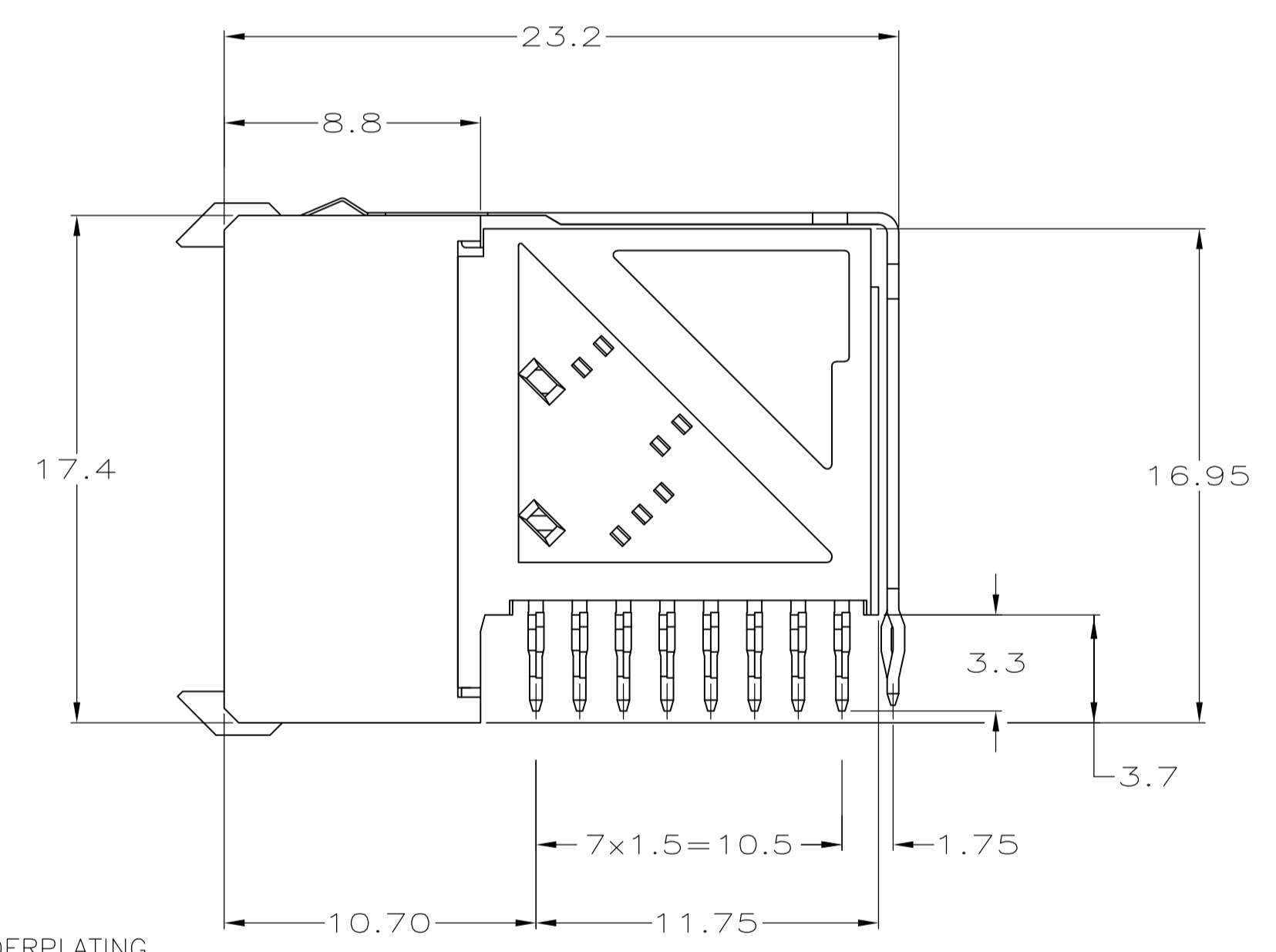
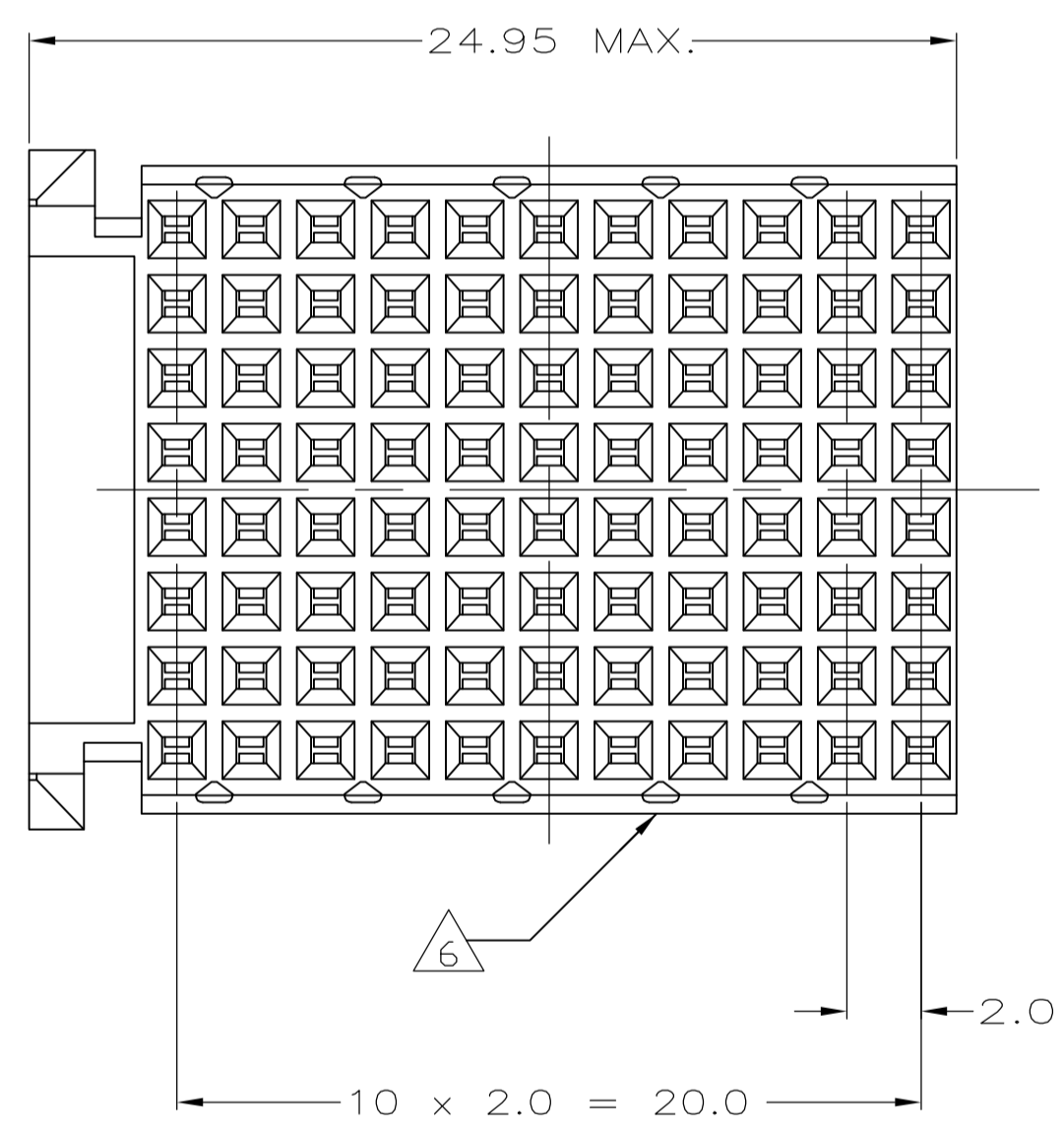


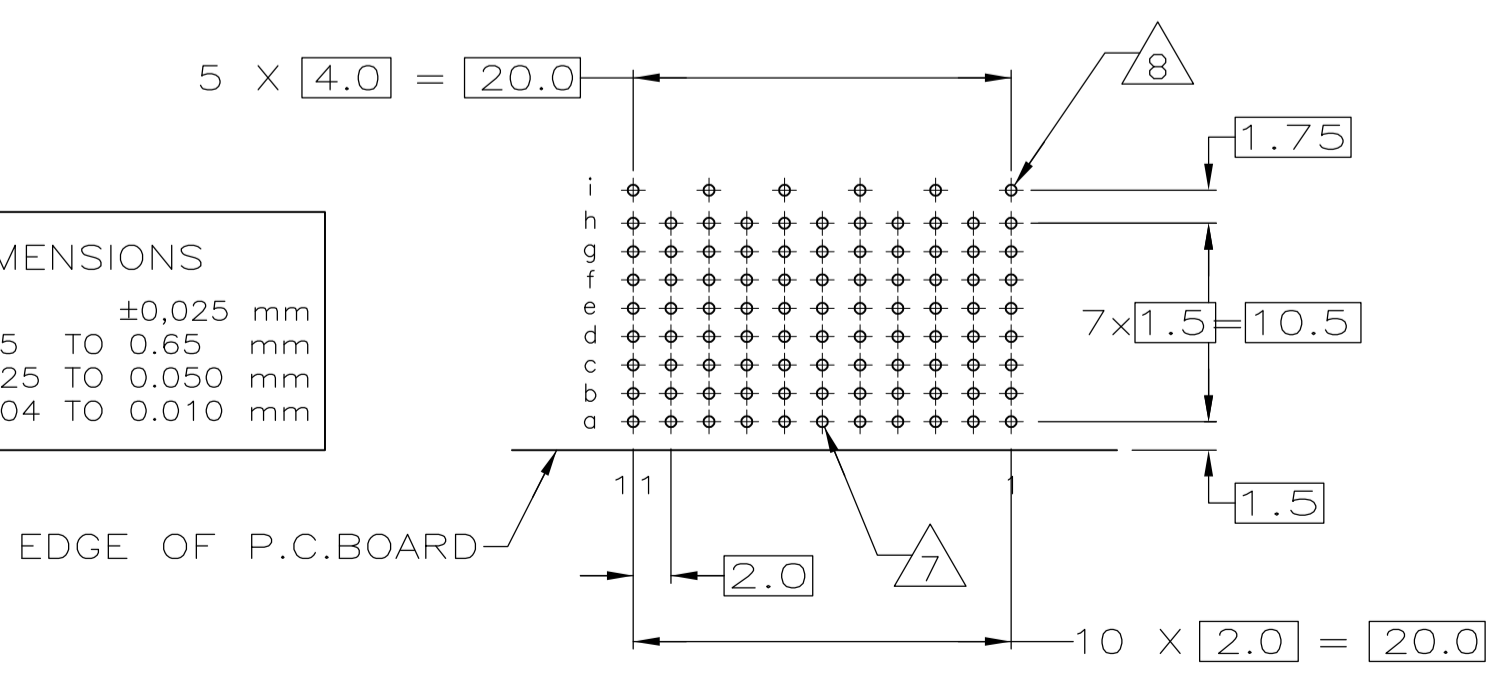
LOC		DIST		REVISIONS			
P	LTR	DESCRIPTION	DATE	DN	APVD		
J2		REVISED PER ECO-10-001916	09MAR2010	JY	SY		
K		ECR-10-018652	10SEP10	JS	MQW		
L		ECO-11-024491	13DEC11	SY	MQW		
M		ECR-12-010544	05DEC12	SY	AC		



SECTION W-W



PCB HOLE DIMENSIONS		
DRILLED HOLE	0.7	±0.025 mm
FIN. HOLE	0.55 TO 0.65	mm
Cu-thks	0.025 TO 0.050	mm
SnPb-thks	0.004 TO 0.010	mm



RECOMMENDED PCB HOLE LAYOUT
 COMPONENT SIDE
 SCALE 2.5:1

- 1 MATERIAL:
CONTACT: PHOSPHOR BRONZE.
HOUSING: GLASS-FILLED POLYESTER.
- 2 GENERAL PLATING SPECIFICATION: UNDERPLATING
(ENTIRE CONTACT): 1.27µm MIN NICKEL AND ACTION
PIN: 0.5µm MIN TIN/LEAD.
FOR PLATING OF MATING SURFACES SEE APPLICABLE
SPECIFICATION REFERENCE FOR EACH DASH NUMBER.
- 3 CONFORMS TO ALL TESTING ACCORDING TO IEC 61076-4-101
PERFORMANCE LEVEL 2.
- 4 CONNECTOR TESTED AND QUALIFIED AGAINST TELCORDIA GR-1217-CORE QUALITY LEVEL 3,
CENTRAL OFFICE APPLICATIONS.
- 5 CONNECTOR TESTED AND QUALIFIED AGAINST TELCORDIA GR-1217-CORE QUALITY LEVEL 3,
UNCONTROLLED ENVIROMENT APPLICATIONS.
- 6 CONNECTOR MARKED WITH PART NUMBER AND DATE CODE.
ADDITIONAL CHARACTERS OR MARKINGS, AS WELL AS THE LOCATION OF THE MARKINGS,
MAY BE ADDED FOR TRACEABILITY BASED UPON MANUFACTURERS DISCRETION.
- 7 PLATED-THROUGH HOLES AT 2x1.5mm GRID
88 TOTAL HOLES.
- 8 ROW "i" 6 PLATED THROUGH HOLES FOR UPPERSHIELD.
- 9 CONNECTOR & SHIELD LUBRICATED WITH BELCORE APPROVED LUBRICANT,
TECHNICAL REFERENCE: TR-NWT-001217 ISSUE 1, SEP 1992.
- 10 SHIELD MOUNTED ON CONNECTOR WITH DOUBLE SIDED ADHESIVE TAPE
OR ADHESIVE.
- 11 0.76µm MIN GOLD PLATING AT MATING SURFACES.

	2 3 11	3-646492-0
OBSOLETE	2 5 9	1-646492-9
OBSOLETE	2 4 9	646492-9
OBSOLETE	2 3	646492-1
	FINISH	PART NUMBER

THIS DRAWING IS A CONTROLLED DOCUMENT.		DIN B CARBO 06DEC05	Tyco Electronics Corporation Harrisburg, PA 17105-3608	
DIMENSIONS: mm		CHK G SKIPPER 06DEC05	NAME R/A RECEPTACLE ASSY, 88 POSN, TTR 8 ROW, TYPE F, Z-PACK 2mm HM	
TOLERANCES UNLESS OTHERWISE SPECIFIED:		APVD G SKIPPER 06DEC05	SIZE CAGE CODE DRAWING NO A1 00779 C=646492	
0-PLC ±		RESTRICTED TO		
1-PLC ±0.1		WEIGHT		
2-PLC ±		CUSTOMER DRAWING		
3-PLC ±		SCALE 5:1 SHEET 1 OF 1 REV M		
4-PLC ±				
ANGLES				
MATERIAL 1		FINISH SEE TABLE		