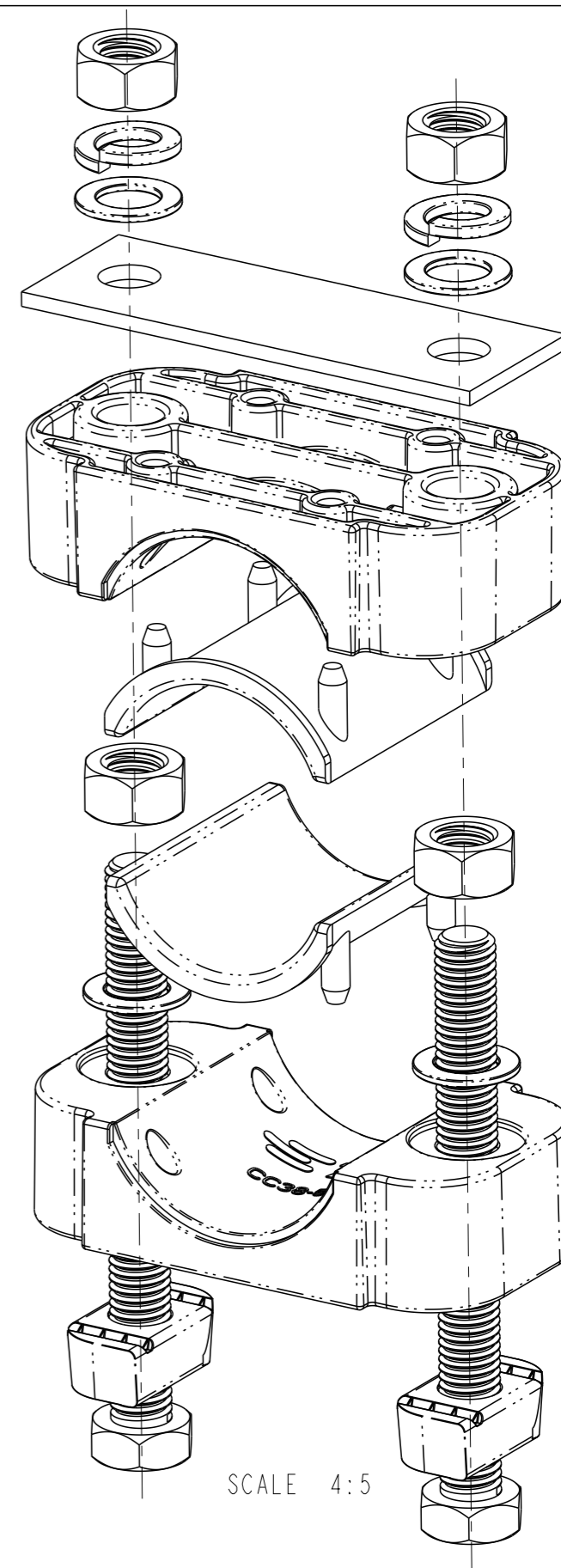
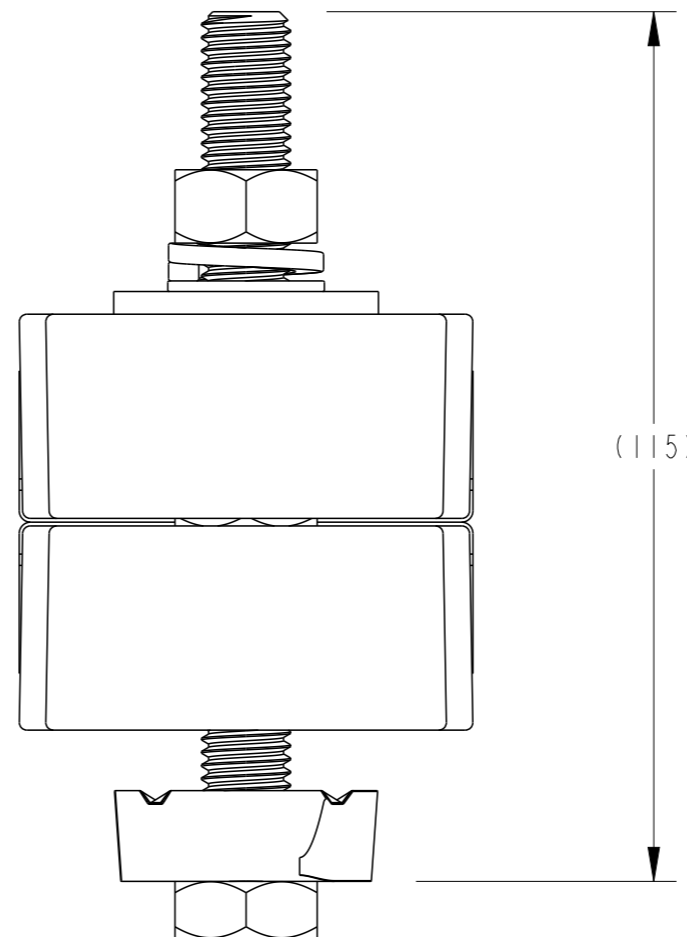
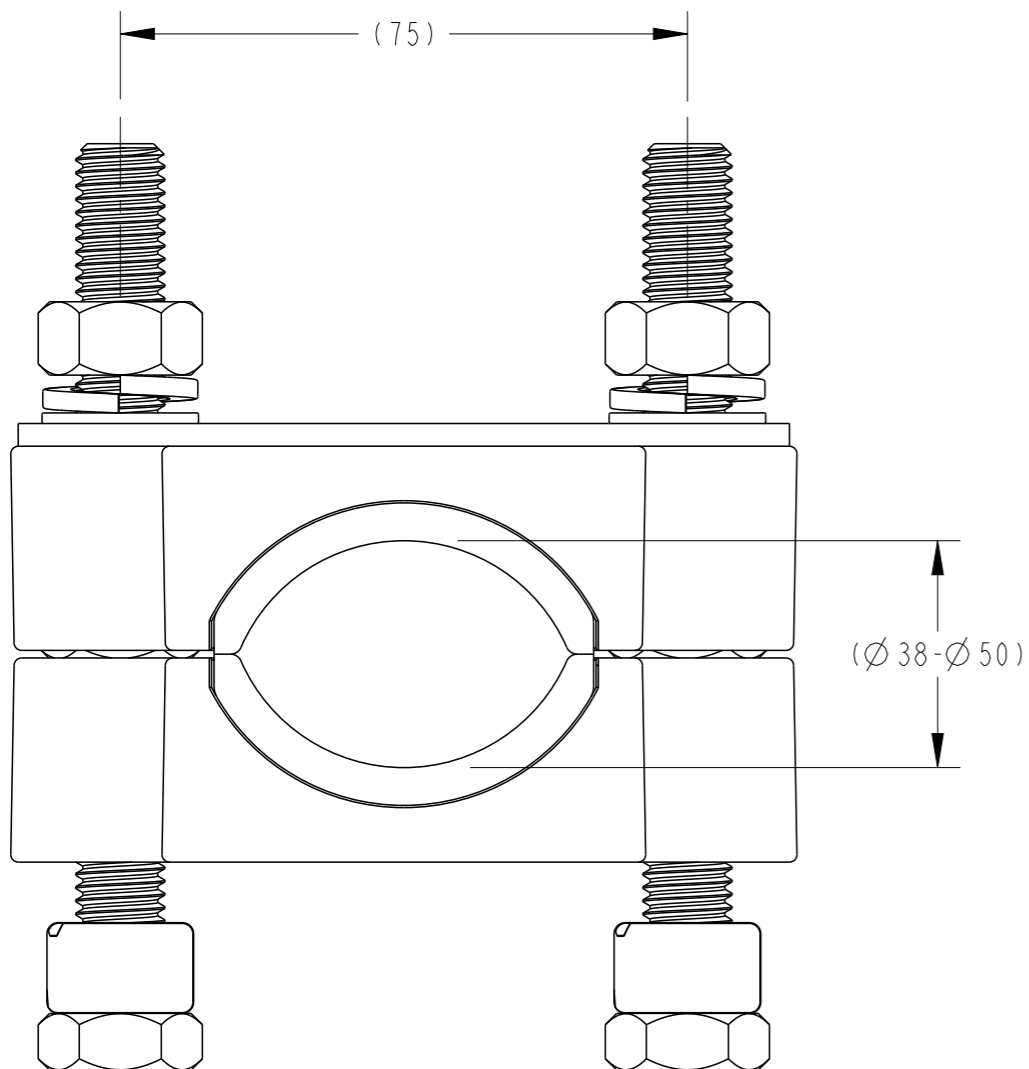


PART NO.	CATALOGUE NO.
EF3981-000	CC38-50-SN-M12



SCALE 4:5

THIS INFORMATION IS CONFIDENTIAL AND PROPRIETARY TO TE CONNECTIVITY CORPORATION AND ITS WORLDWIDE SUBSIDIARIES AND AFFILIATES. IT MAY NOT BE DISCLOSED TO ANYONE, OTHER THAN TE CONNECTIVITY PERSONNEL, WITHOUT WRITTEN AUTHORIZATION FROM TE CONNECTIVITY CORPORATION, AUSTRALIA.

LOC							<b>IMPLIED NOTES</b> BURRS AND SHARP EDGES REMOVED SCREW THREADS ARE TO AS 1275 DO NOT WORK TO DIMS MARKED REF SURFACE FINISH 6.3 U.N.O. DIMS ARE IN mm. DO NOT SCALE		<b>IMPLIED TOLERANCES</b> HOLE DIA AND LOCATIONS: ±0.5mm DIMENSIONS UP TO 30mm: ±1.5mm DIMENSIONS OVER 30mm: ±5% UP TO A MAX OF: ±5mm ANGULAR DIMENSIONS: ±5°		TCPN <b>EF3981-000</b> PART Alias UTX/DUL <b>CC38-50-SN-M12</b> Cat No <b>CC38-50-SN-M12</b>	TITLE <b>CABLE CLEAT Ø38-Ø50</b> <b>STRUT NUT M12</b>		TE Connectivity 2/3 Corella Close Berkeley Vale NSW 2261 Australia	
DIST	—	I	NEW RELEASE	28-04-2014	RN	AT	MATERIAL DESC				DRAWN RN CHECKED RN	DATE 28-04-2014 APPROVED AT	SIZE A3 PROJECTION 3RD ANGLE SCALE 1:1		DRAWING NO AU29453
POS	REV	REVISION RECORD		DATE	DWN	APVD	MATERIAL NO	MATL SPEC/STD/DRG NO	PROCESS SPEC HEAT TREAT/PLATING NO						

8

7

6

5

Format: generic\_m03.au.r1.fm 4

Template: tec\_generic\_03.metric.au.r1.drw 3

Dwg No from Pl Mod Fam Tbl: 2 AU29453

1