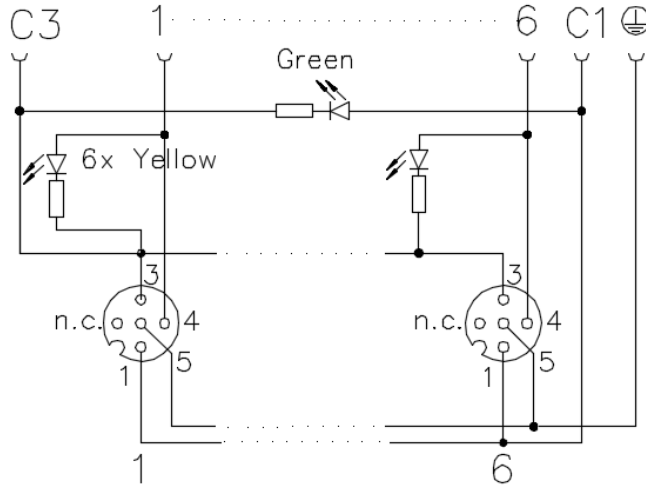
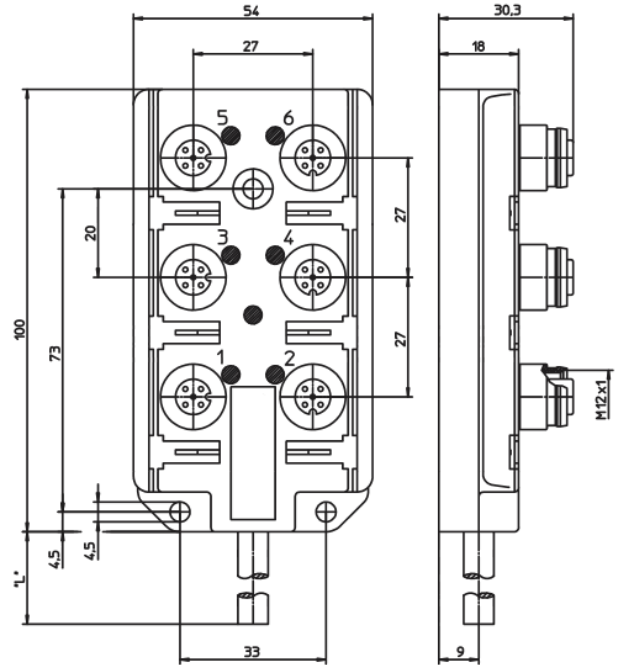


Dimensions



COLOR CODE

- | | | | | | | |
|-----------|------|-----------|-----|-------|-----|------------------------|
| 1 = Brown | (C1) | 4 = White | (1) | Slate | (4) | 5 = Green/Yellow (Gnd) |
| 2 = n.c. | | Green | (2) | Pink | (5) | |
| 3 = Blue | (C3) | Yellow | (3) | Red | (6) | |



Technical Data

Box Configuration

| | |
|-------------------|-----------------------------|
| Ports | 6 |
| Channels Per Port | 1 |
| LED | Yes |
| Code Type | A |
| Housing | Orange TPU, flame retardant |
| Contact | Copper Alloy, Gold Plated |
| Receptacle Shell | Copper Alloy, Nickel Plated |
| O-Ring | FKM |

Electrical

| | |
|-----------------------|----------------------------|
| Contact Resistance | ≤5mΩ |
| Voltage Rating | 10-30V DC |
| Current Rating | 4A per port/12A max. Total |
| Insulation Resistance | >10 ⁹ Ω |
| UL File | E485156 |

Cable Construction

| | |
|-----------------------|---|
| Conductor Size | 3 x 0.75mm ² & 6 x 0.34mm ² |
| Outer Jacket Material | Zero Halogen PUR |
| Outer Diameter | .299" |
| Color | Black |
| Suitable for C-Track | Yes |

Environmental

| | |
|--|--|
| | |
|--|--|

Issue: 1 Issue Date: 9/22/2016 Effective Date: 9/22/2016

| | | |
|----------------------------------|--|-----------------|
| Degree of Protection | IP 67/ NEMA 6P | |
| Operating Temperature Range | -15C (+5F)/ +80C (+176F) | |
| RoHS | All materials used in the manufacture of this part meet the requirements of European Directive 2011/65/EU regarding the restriction of use of certain hazardous substances in electrical and electronic equipment. Exemption used; 6a. | |
| REACH Regulation (EC 1907/2006) | This product does not contain Substances of Very High Concern (SVHC) listed on the European Union's REACH candidate list in excess of 0.1% mass of the item. | |
| Accessories Included | | |
| 2 Dust Covers for unused sockets | | |
| 10 attachable labels | | |
| Ordering Information | Description | Quantity |
| 912-5M NC032 | 5 Meters | Each |
| 912-10M NC032 | 10 Meters | Each |
| 912-CN NC032 | Connectorized | Each |

Although Alpha Wire ("Alpha") makes every reasonable effort to ensure their accuracy at the time of this publication, information and specifications described herein are subject to error or omission and to change without notice, and the listing of such information and specifications does not ensure product availability. Alpha provides the information and specification herein on an "AS IS" basis, with no representations or warranties, whether express, statutory or implied. In no event will Alpha be liable any damages (including consequential, indirect, incidental, special, punitive, or exemplary damages) whatsoever, even if Alpha has been advised of the possibility of such damages, whether in an action under contract, negligence or any other theory, arising out of or in connection with the use, or inability to use, the information or specification described herein.

Issue: 1 Issue Date: 8/20/2016 Effective Date: 8/20/2016