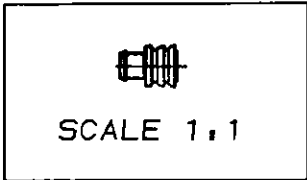


1 2 3 4

SCALA NON IMPEGNATIVA
(DO NOT SCALE)
DIMENSIONI IN mm
(DIMENSIONS IN)

METRIC

PROIEZIONE EUROPEA
(EUROPEAN PROJECTION)



A

A

B

B

C

C

D

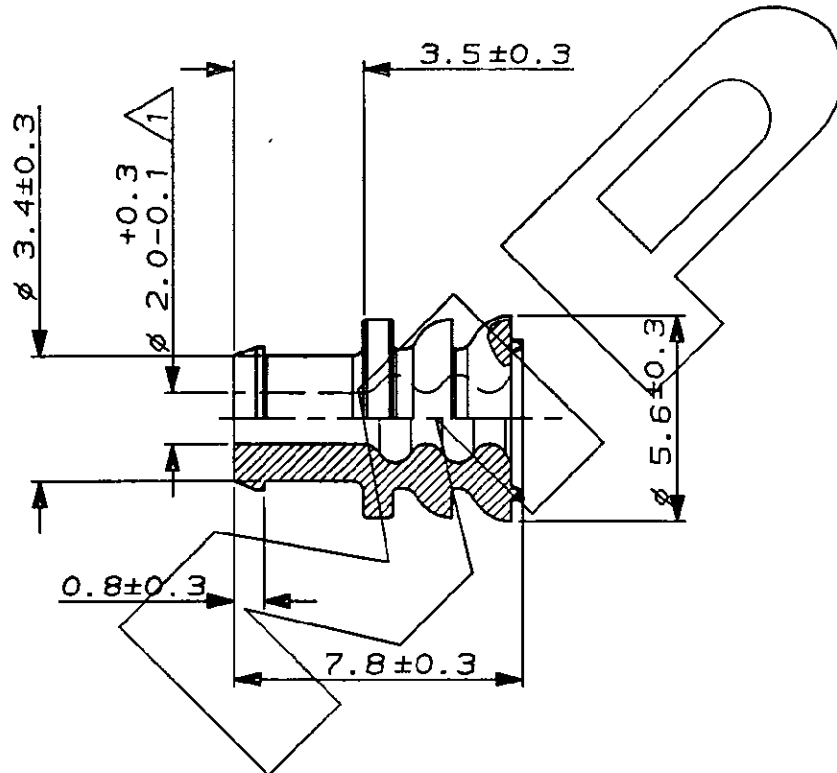
D

E

E

F

F



NOTE

1 FORO PER CAVO ISOLANTE RIDOTTO FASE 3: $\phi 2.7 - 3.0$
SECONDO TABELLA FIAT # 91107/03.
(SUITABLE FOR REDUCED INSULATION CABLE $\phi 2.7 - 3.0$)

GRIGIO (GREY)	GOMMA SILICONICA (SILICONE RUBBER)	282536-1
FINITURA / COLORE (FINISH / COLOUR)	MATERIALE (MATERIAL)	NUMERO (PART NUMBER)

CUSTOMER DWG. FOR REFERENCE ONLY DISEGNO PER CLIENTE SOLO PER RIFERIMENTO

THIS DRAWING IS UNPUBLISHED RELEASE FOR PUBLICATION -ts-

© COPYRIGHT 1989 BY AMP INCORPORATED, HARRISBURG, PA. ALL INTERNATIONAL RIGHT RESERVED. AMP PRODUCTS MAY BE COVERED BY U.S. AND FOREIGN PATENT AND/OR PATENT PENDING

TOLLERANZE, SE NON DIVERSAMENTE SPECIFICATE (TOLERANCES, UNLESS OTHERWISE SPECIFIED)	DIAM. ISOLANTE (INS. DIA. RANGED)	RANGO FILO (WIRE RANGE)	SCALA (SCALE)
± 0.3	see note 1	2.5 mm ²	--

ANGOLI (ANGLES) $\pm 2^\circ$

AMP AMP ITALIA S.p.A. Corso F. LLI Cervi, 15 COLLEGNO (TORINO)

DIS. 6 MAY 1993 (DR.) C. TARTARINI
DESCRIZIONE (DESCRIPTION) SINGLE WIRE SEAL

REV. 0	PRIMA EMISSIONE	DIS. (DR.)	DATA (DATE)	LOC. (LOC.)	SIZE	NUMERO (DWG NO)	REV.	FUOGGIO (SHEET)

DISTRIBUZIONE (PRINT DIST.)