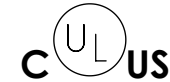
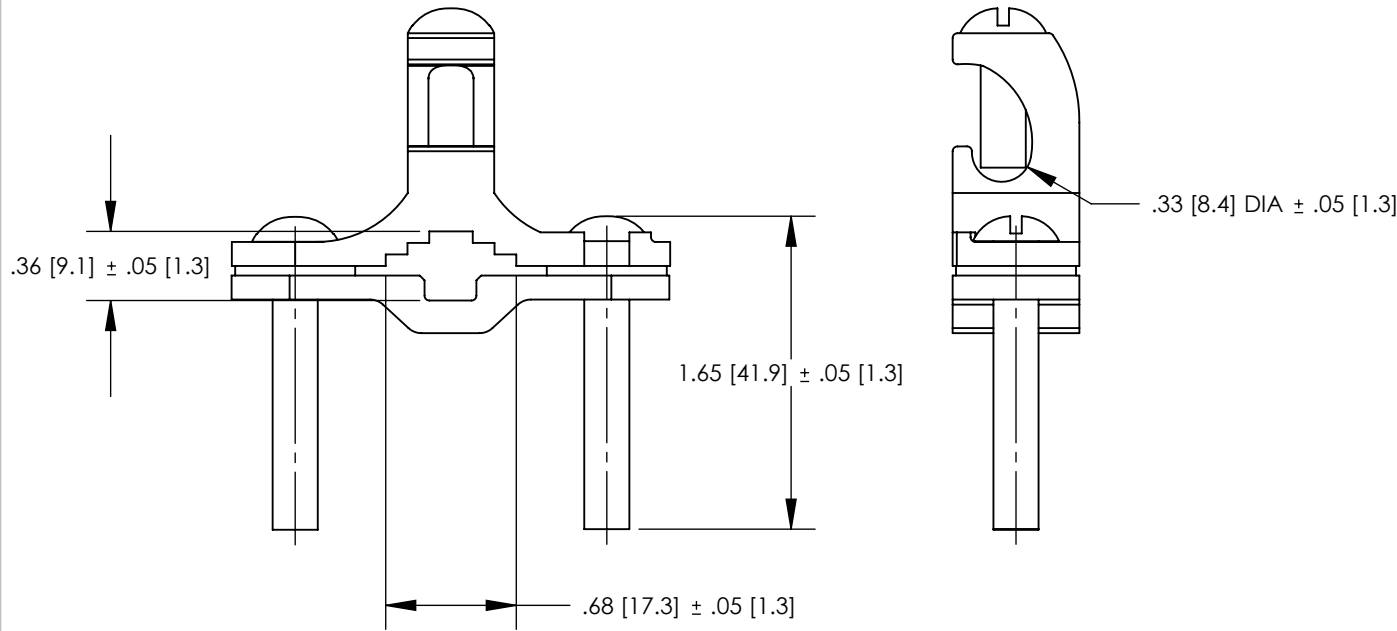


THIS COPY IS PROVIDED ON A RESTRICTED BASIS AND IS NOT TO BE USED IN ANY WAY DETRIMENTAL TO THE INTERESTS OF PANDUIT CORP.

NOTES:

1. MATERIAL:  
BODY - BRONZE (GUN METAL)  
SCREW - PHOS. BRONZE
2. PARTS ARE cULus LISTED TO UL467 AS  
GROUNDING & BONDING EQUIPMENT.
3. RATED FOR DIRECT BURIAL
4. SEE WWW.PANDUIT.COM FOR PART NUMBER  
SUFFIX DESIGNATION FOR PACKAGE SIZE.



PART NUMBER	DESCRIPTION	WATER PIPE	GROUNDING WIRE
GPLBC2-1	GROUND CLAMP FOR BARE WIRE, DIRECT BURIAL WITH LAY-IN FEATURE	1/2" - 1"	10 - 2 STR

REV	DATE	BY	CHK	APR	DESCRIPTION	ECN
00	7/12	JHNU	SRBI	RGB	DRAWING RELEASED	10J018AL-JC

TITLE  
YELLOW/RED BRASS GROUND PIPE CLAMP - 1/2"-1"  
(GPLBC2-1)  
CUSTOMER DRAWING

ITEM REVISION NAME 10J018AL/00

DATASET FILE NAME 10J018AL-JC/00.SLDDRW

UNLESS OTHERWISE SPECIFIED,  
DIMENSIONAL TOLERANCES ARE: IN [mm]

.X ± .XXX ±  
.XX ± ANGLES ±

THIRD ANGLE PROJECTION

DRAWN BY JHNU DATE 7/12 CHK SRBI SCALE N/A

**PANDUIT**™

MATERIAL  
SEE NOTES

DRAWING NUMBER 10J018AL-JC

SHEET 1 OF 1 SIZE A