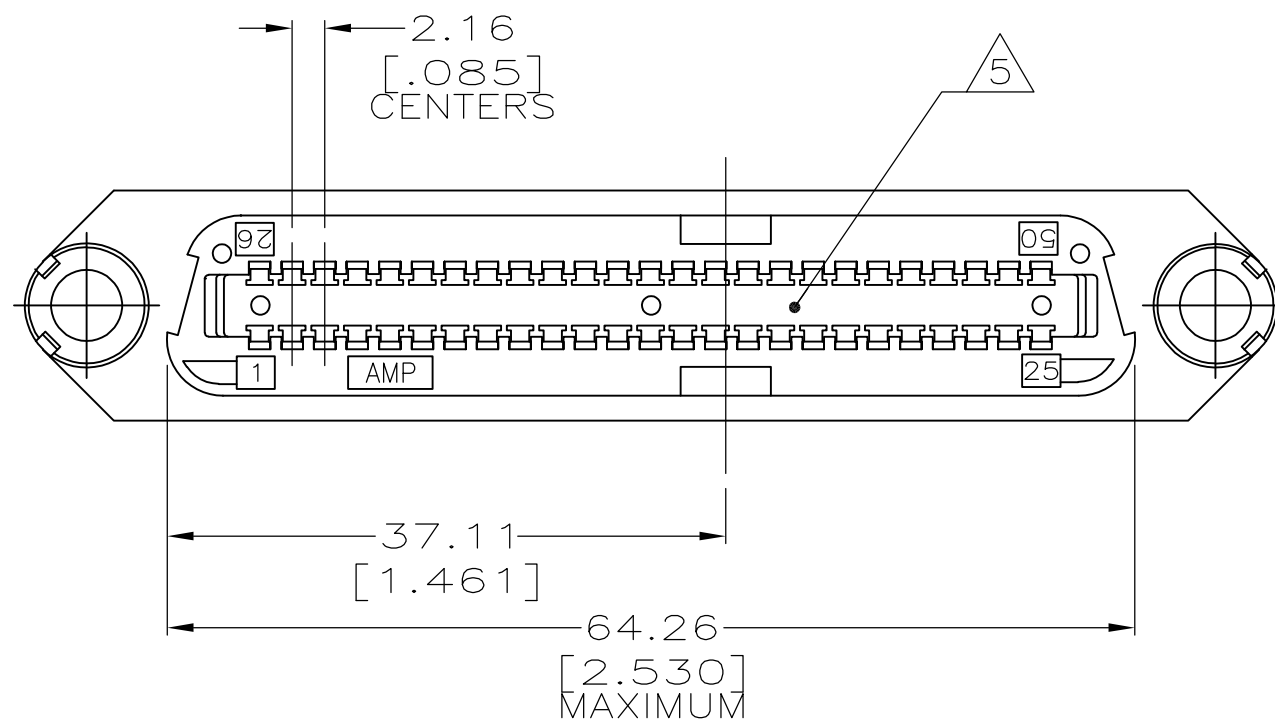
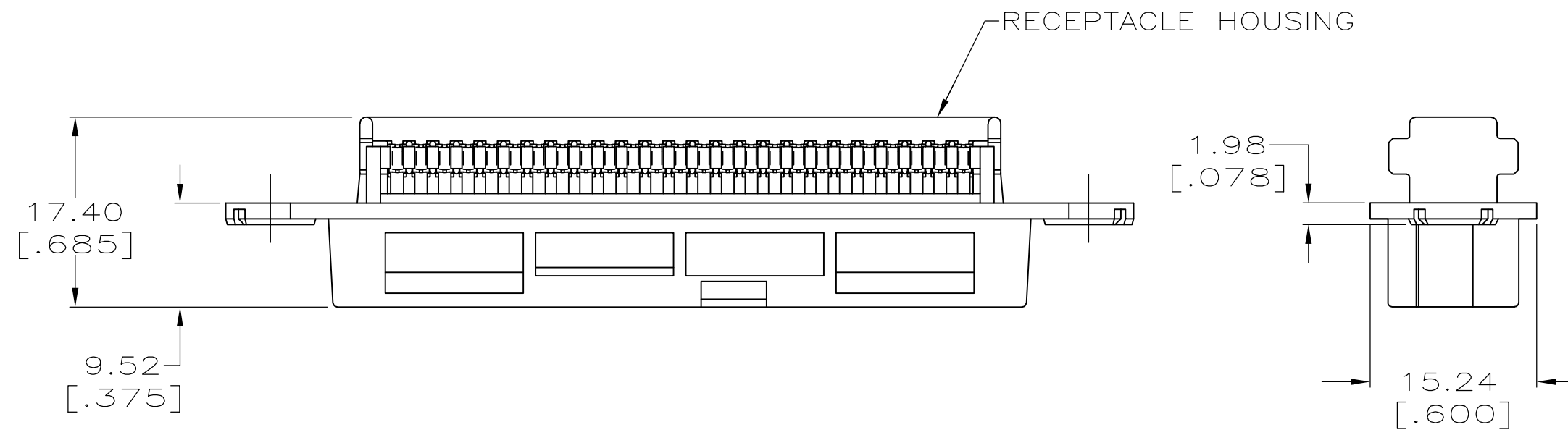
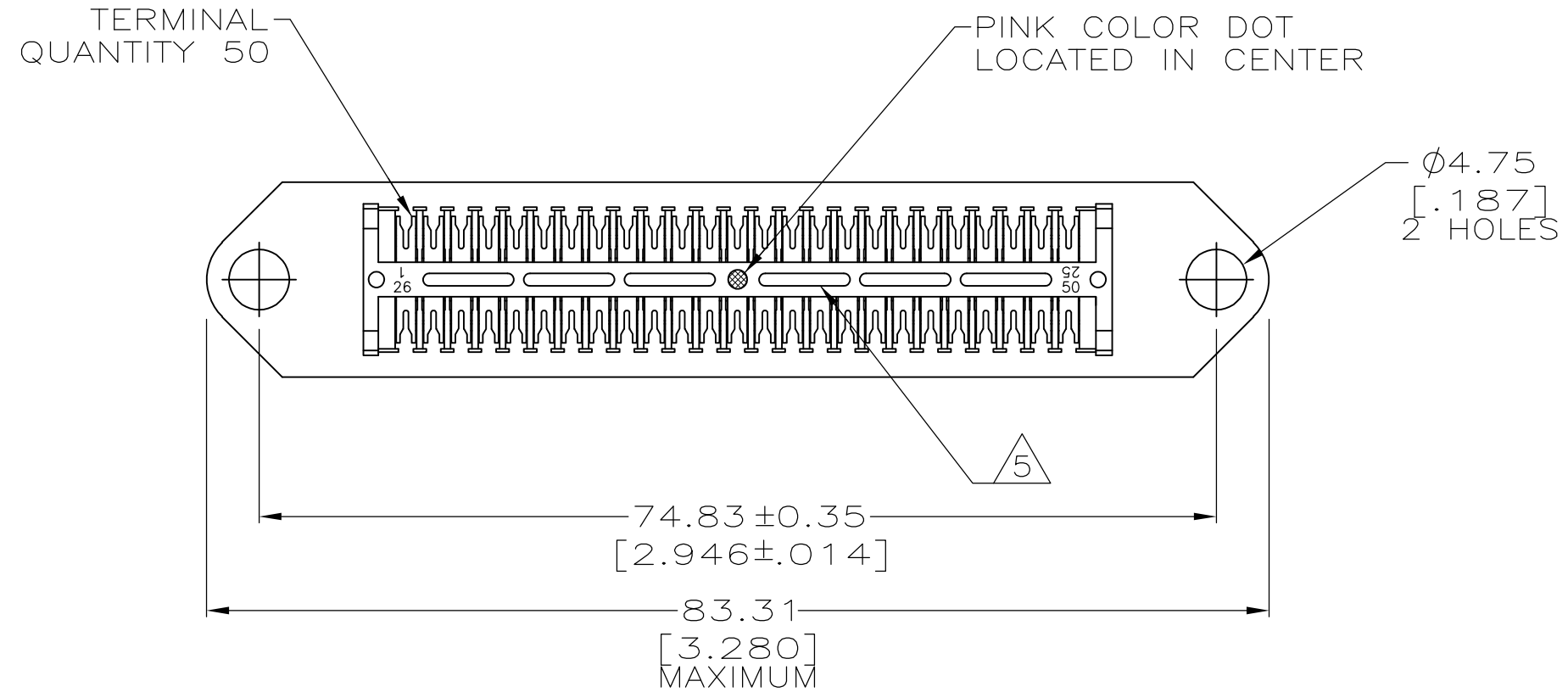


THIS DRAWING IS UNPUBLISHED. RELEASED FOR PUBLICATION
 © COPYRIGHT BY TYCO ELECTRONICS CORPORATION. ALL RIGHTS RESERVED.

LOC	DIST	REVISIONS			
P	LTR	DESCRIPTION	DATE	DWN	APVD
GP	00	F	REVISED PER ECO-08-007327	26JAN2009	ZMR WLM



1. THE CONTACT SURFACES OF THE TERMINALS ARE COATED WITH LUBRICANT.
2. ALL DIMENSIONS SHOWN ARE FOR REFERENCE ONLY UNLESS OTHERWISE SPECIFIED.
3. MATERIAL:
 HOUSING - POLYPHENYLENE OXIDE.
 TERMINALS - HIGH STRENGTH COPPER ALLOY PLATED WITH EITHER 0.76 μ m [.000030] MIN GOLD OR GOLD FLASH OVER PALLADIUM NICKEL 0.76 μ m [.000030] MIN TOTAL, ON CONTACT MATING SURFACE.
 1.27 μ m [.000050] MIN NICKEL UNDERPLATE OVER ENTIRE TERMINAL.
4. WIRE SIZE: TWO 24 AWG SOLID COPPER CONDUCTORS. MAX INSULATION ϕ .86 [.034] IS ACCEPTABLE FOR MOST APPLICATIONS.
5. CORING MAY OR MAY NOT APPEAR AND IS AT THE DISCRETION OF TYCO ENGINEERING.

COLOR	DESCRIPTION	PART NUMBER
BLACK	THIN FLANGE	552827-2
GRAY	THIN FLANGE	552827-1

THIS DRAWING IS A CONTROLLED DOCUMENT.		DWN DL DRUMMOND 01JUN01	Tyco Electronics Corporation Harrisburg, PA 17105-3608	
DIMENSIONS: mm [INCHES]		CHK DL DRUMMOND 01JUN01	NAME RECEPTACLE ASSEMBLY, 50 POSITION, J-SLOT, WITH .187 DIAMETER HOLES, MULTI-WIRE, THIN FLANGE, CHAMP-LOK	
TOLERANCES UNLESS OTHERWISE SPECIFIED:		APVD EW BEILES 01JUN01	PRODUCT SPEC	RESTRICTED TO
ϕ	0 PLC ± -	APPLICATION SPEC	SIZE A2	CAGE CODE 00779
\pm	1 PLC ± -	WEIGHT	DRAWING NO C=552827	REV F
\pm	2 PLC ± -	CUSTOMER DRAWING	SCALE 2:1	SHEET 1 of 1
\pm	3 PLC ± -			
\pm	4 PLC ± -			
ANGLES	± -			
FINISH	± -			