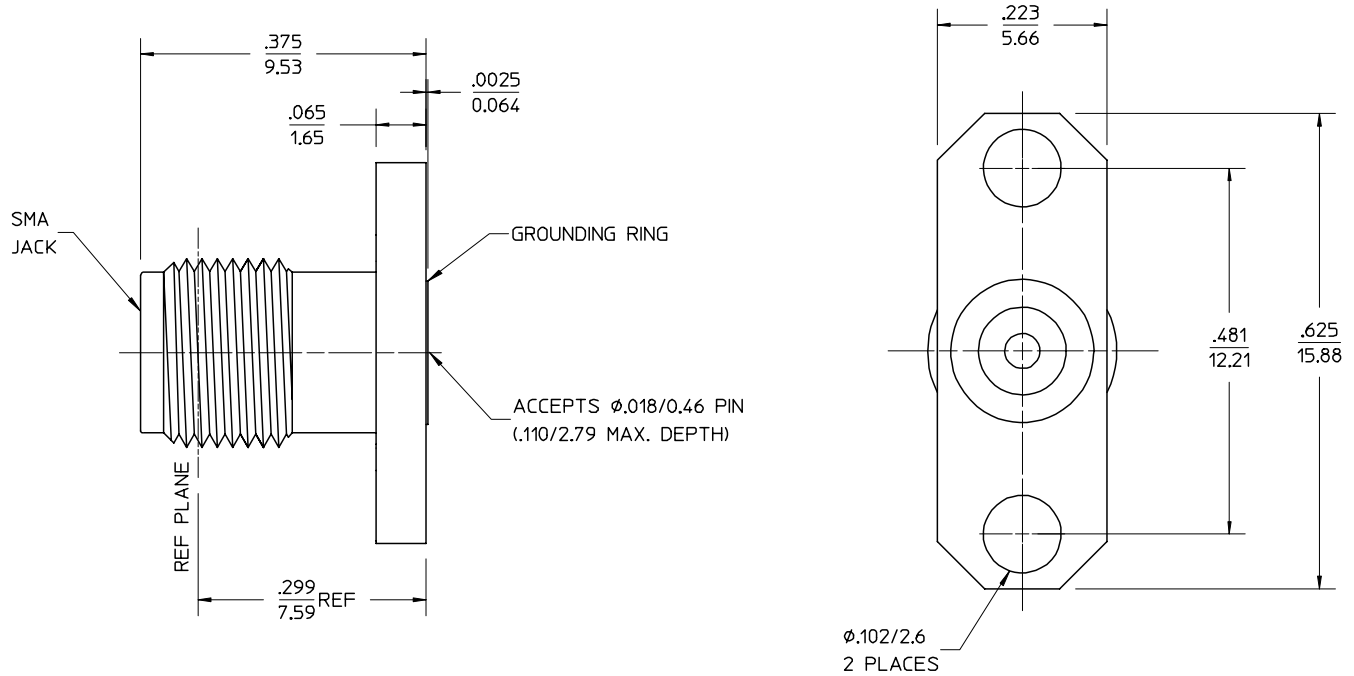


MATERIALS AND FINISHES:  
 BODY STAINLESS STEEL  
 PASSIVATED

CENTER CONTACT BERYLLIUM COPPER  
 PLATED GOLD

INSULATOR TEFLON



PART # 73251-0920

MIL-STD-348, FIGURE 310-2	INTERFACE
PS-89675-2910	ELECTRO/MECH PERFORMANCE
SPECIFICATION	DESCRIPTION

CHG: NEW RELEASE	EC NO. URF-0233	DESCRIPTION	UNLESS OTHERWISE SPECIFIED DIMS ARE INCHES AND ANGLES ARE DEGREES. 1. ✓ 63 ALL OVER. 2. NO CHATTER OR NON-UNIFORM SURFACE FINISH ALLOWED. 3. PARTS TO BE FREE OF BURRS & SHARP EDGES .005 MAX BREAK. 4. EXTERNAL THREADS TO BE ROLLED OR SINGLE POINT. 5. DIAMETERS TO BE CONCENTRIC WITHIN .003 TIR.
	DRWN: TEF 06/21/99		
	CHK: DHG 06/21/99 APPR: GMH 06/21/99		
A	REV		

QUALITY SYMBOLS	GENERAL TOLERANCES: (UNLESS SPECIFIED)	SCALE	DESIGN UNITS	THIRD ANGLE PROJECTION	DIMENSIONS:
MAJOR	mm	INCH	mm <input type="checkbox"/> INCH <input checked="" type="checkbox"/>	<input type="checkbox"/> mm <input checked="" type="checkbox"/> INCH <input type="checkbox"/> mm ONLY	SHT 1 REV A
CRITICAL	4 PLACES ± .0005	3 PLACES ± .005	2 PLACES ± .01	1 PLACE ± .1	REVISIONS
	ANGULAR: ±2°	DRAWN BY & DATE EDC 02/19/99			
		CHECKED BY & DATE DHG 02/19/99			
		APPROVED BY & DATE GMH 02/19/99			
		CAD FILENAME			
		MATERIAL NO. SEE NOTE			
		DRAWING NO. SD-73251-092			
		SHEET NO. 1 of 1			

THIS DRAWING CONTAINS INFORMATION THAT IS PROPRIETARY TO MOLEX INCORPORATED AND SHOULD NOT BE USED WITHOUT WRITTEN PERMISSION.

TITLE:  
 SMA JACK, RECEPTACLE, 2 HOLE  
 FLANGE MOUNT, ACCEPTS .018 DIA PIN  
 SMA-JR/F

MOLEX MOLEX INCORPORATED

SIZE B