

PART NAME: KNOB      SCALE: 1:1      DATE: 9/11/89      DR. BY HD

DAVIES MOLDING COMPANY  
CAROL STREAM, ILLINOIS 60188

P/N 1555

THIS DRAWING IS THE PROPERTY OF DAVIES MOLDING COMPANY, IS SUBMITTED SOLELY AS A DESIGN OR ENGINEERING PROJECT. WE ACCEPT NO RESPONSIBILITY WHATSOEVER FOR THE PRACTICAL APPLICATION OF THE PIECES MADE TO THIS DESIGN.

M NO. 14

CAVITY 1555

CORE 1555

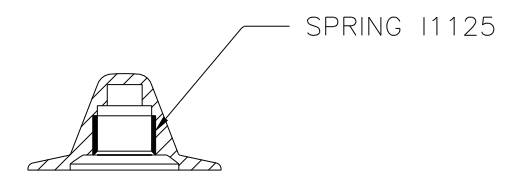
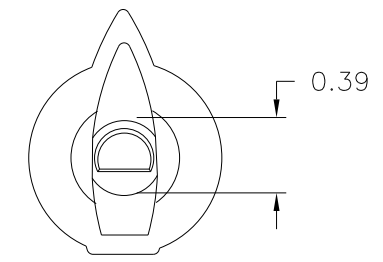
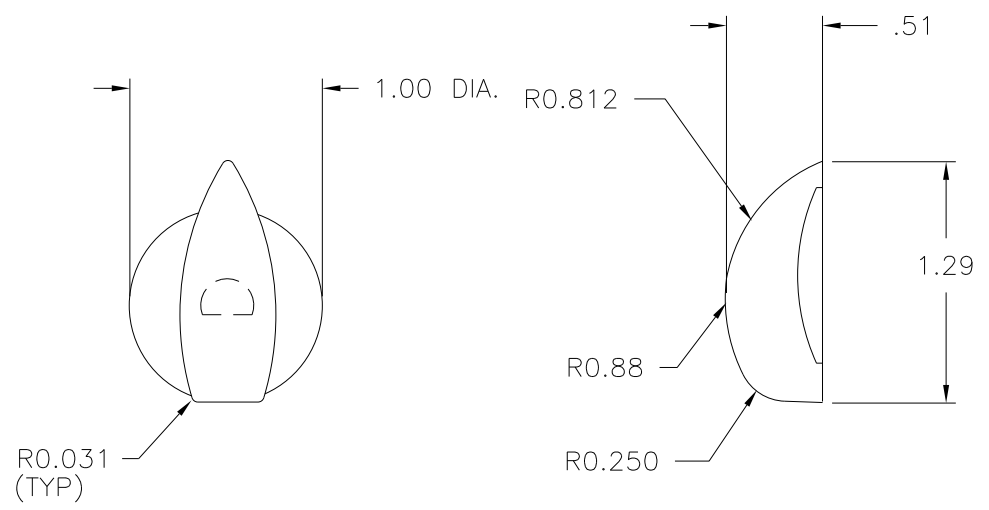
PIN 1555

PLATE SHIM 0.015

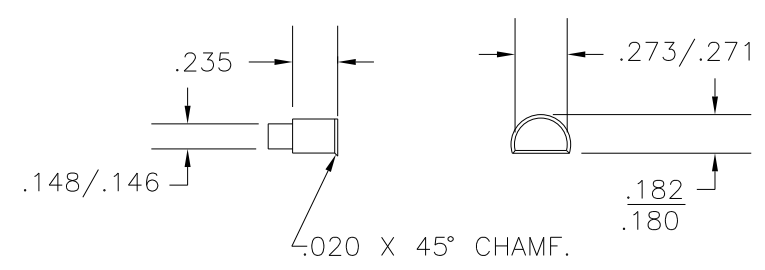
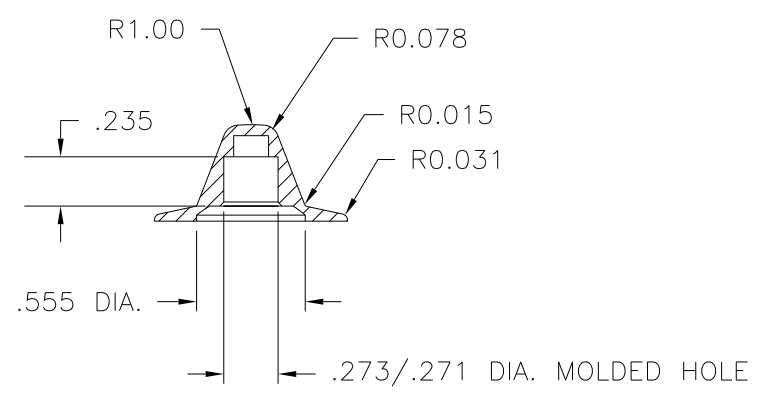
LEG SHIM 0.015

PILLAR SHIM 0.025

(A) SPRING I1125A



(A) SPRING I1125A, (.250 DIA. FLATTED TO .156) TO BE INSTALLED AT MOLDING PRESS.



MOLDED HOLE SIZE

(B) MATERIAL: NYLON 6/6 (ZY2), (ZY6)  
OR ENGINEERING APPROVED EQUIVALENT  
COLOR: BLACK

TOLERANCES: UNLESS OTHERWISE SPECIFIED	DO NOT SCALE DRAWING	B	ADDED ZY6	JAM	6/25/12
DECIMALS: X.XXX ± .005 X.XX ± .015	MM: X.XX ± 0.15MM X.X ± 0.4MM	A	WAS I1125	JAM	11/28/07
FRACTIONS ± 1/64	ANG. ± 1°	-	CAD/REDRAWN	HD	2/5/96
CHANGES					