

POWER FIELD EFFECT TRANSISTOR

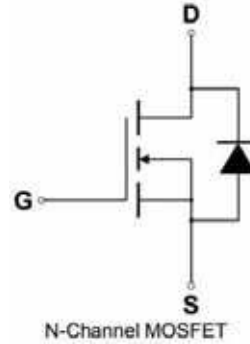
GENERAL DESCRIPTION

This high voltage MOSFET uses an advanced termination scheme to provide enhanced voltage-blocking capability without degrading performance over time. In addition, this advanced MOSFET is designed to withstand high energy in avalanche and commutation modes. The new energy efficient design also offers a drain-to-source diode with a fast recovery time. Designed for high voltage, high speed switching applications in power supplies, converters and PWM motor controls, these devices are particularly well suited for bridge circuits where diode speed and commutating safe operating areas are critical and offer additional and safety margin against unexpected voltage transients.

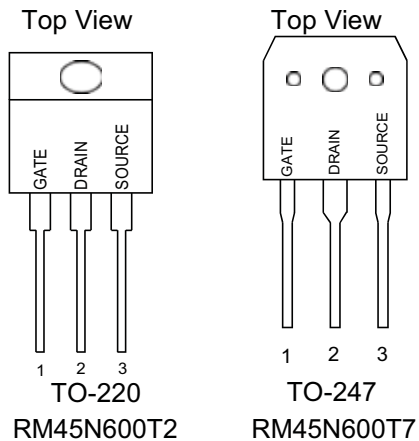
FEATURES

- ◆ Robust High Voltage Termination
- ◆ Avalanche Energy Specified
- ◆ Source-to-Drain Diode Recovery Time Comparable to a Discrete Fast Recovery Diode
- ◆ Diode is Characterized for Use in Bridge Circuits
- ◆ I_{DSS} and $V_{DS(on)}$ Specified at Elevated Temperature
- ◆ Isolated Mounting Hole Reduces Mounting Hardware

SYMBOL



PIN CONFIGURATION



ABSOLUTE MAXIMUM RATINGS

Rating	Symbol	Value	Unit	
Drain to Current – Continuous	$I_{D 25C(1)}$	44.5	A	
– Pulsed	$I_{D 100C(1)}$	28.2		
	I_{DM}	135		
Gate-to-Source Voltage – Continue	V_{GS}	± 30	V	
Total Power Dissipation TO-220 TO-247	P_D	50 431	W	
Derate above 25°C TO-220 TO-247		0.40 3.45	W/°C	
Junction and Storage Temperature Range		T_J, T_{STG}	-55 to 150	°C
Single Pulse Drain-to-Source Avalanche Energy – $T_J = 25^\circ\text{C}$ ($V_{DD} = 100\text{V}$, $V_{GS} = 10\text{V}$, $I_L = 12\text{A}$, $L = 10\text{mH}$, $R_G = 25\Omega$)	E_{AS}	809	mJ	
Thermal Resistance – Junction to Case TO-220	$R_{\theta JC}$	2.5	°C/W	
– Junction to Case TO-247		0.29		
– Junction to Ambient TO-220		$R_{\theta JA}$		62.5
– Junction to Ambient TO-247				40
Maximum Lead Temperature for Soldering Purposes, 1/8" from case for 10 seconds	T_L	260	°C	

ELECTRICAL CHARACTERISTICS

Unless otherwise specified, $T_J = 25^\circ\text{C}$.

Characteristic	Symbol	Min	Typ	Max	Units
Drain-Source Breakdown Voltage ($V_{GS} = 0\text{ V}$, $I_D = 250\ \mu\text{A}$)	$V_{(BR)DSS}$	600			V
Drain-Source Leakage Current ($V_{DS} = 600\text{ V}$, $V_{GS} = 0\text{ V}$)	I_{DSS}			10	μA
Gate-Source Leakage Current-Forward ($V_{gsf} = 30\text{ V}$, $V_{DS} = 0\text{ V}$)	I_{GSSF}			100	nA
Gate-Source Leakage Current-Reverse ($V_{gsr} = -30\text{ V}$, $V_{DS} = 0\text{ V}$)	I_{GSSR}			100	nA
Gate Threshold Voltage ($V_{DS} = V_{GS}$, $I_D = 250\ \mu\text{A}$)	$V_{GS(th)}$	2	3	4	V
Static Drain-Source On-Resistance ($V_{GS} = 10\text{ V}$, $I_D = 15.6\text{A}$) *	$R_{DS(on)}$		75	90	m Ω
Gate resistance (f=1MHz, open drain)	R_G		3.6		Ω
Input Capacitance	$(V_{DS} = 100\text{ V}$, $V_{GS} = 0\text{ V}$, $f = 1.0\text{ MHz}$)	C_{iss}	2808		pF
Output Capacitance		C_{oss}	125		pF
Reverse Transfer Capacitance		C_{rss}	37		pF
Turn-On Delay Time	$(V_{DD} = 300\text{ V}$, $I_D = 45\text{ A}$, $R_G = 4.7\Omega$) *	$t_{d(on)}$	37		ns
Rise Time		t_r	106		ns
Turn-Off Delay Time		$t_{d(off)}$	95		ns
Fall Time		t_f	93		ns
Total Gate Charge		Q_g		69	
Gate-Source Charge	VDD=480V, ID=45A, VGS=10V	Q_{gs}	18		nC
Gate-Drain Charge		Q_{gd}	30		nC
SOURCE-DRAIN DIODE CHARACTERISTICS					
Forward On-Voltage(1)	$(I_S = 45\text{ A}$, $di_S/dt = 100\text{A}/\mu\text{s})$	V_{SD}		1.5	V
Forward Turn-On Time		t_{on}		**	ns
Reverse Recovery Time		t_{rr}		170	ns

* Pulse Test: Pulse Width $\leq 300\mu\text{s}$, Duty Cycle $\leq 2\%$

** Negligible, Dominated by circuit inductance

RATING AND CHARACTERISTICS CURVES (RM45N600T7(T2))

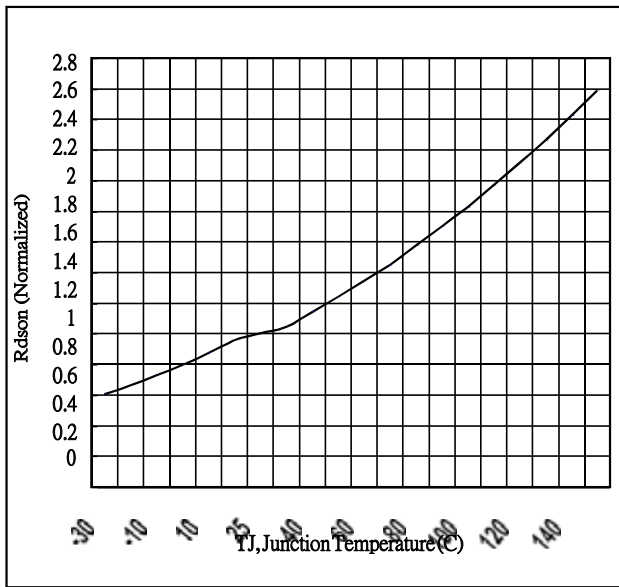


Fig 1. On-Resistance Variation with vs. Temperature

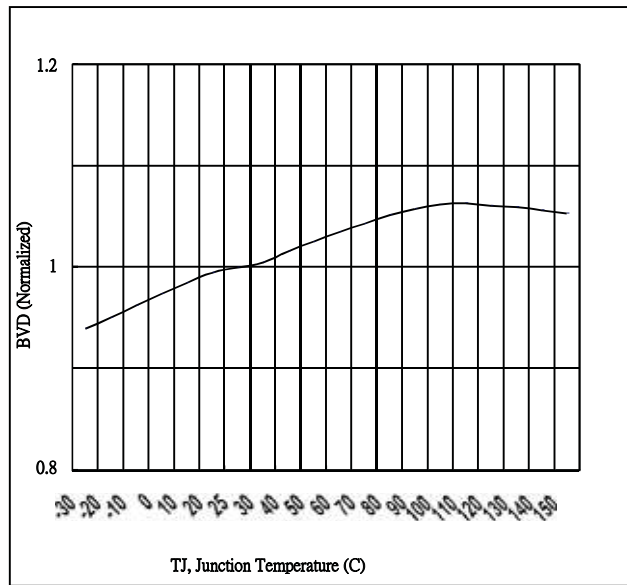


Fig.2 Breakdown Voltage Variation vs. Temperature

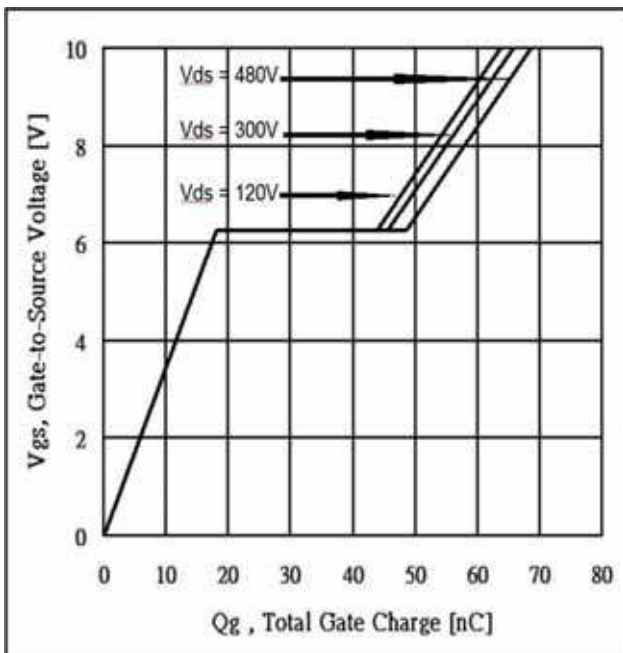


Fig 3. Typical Gate Charge vs. Gate-to-Source Voltage

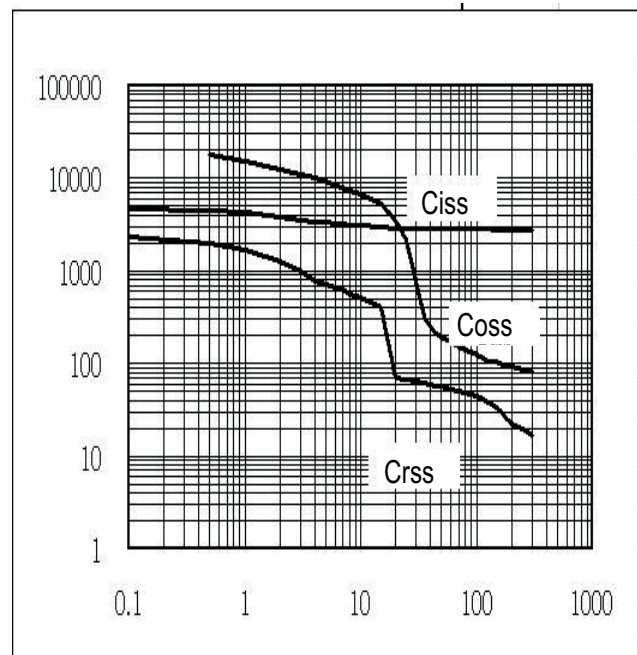


Fig 4. Typical Capacitance Vs. Drain-to-Source Voltage

RATING AND CHARACTERISTICS CURVES (RM45N600T7(T2))

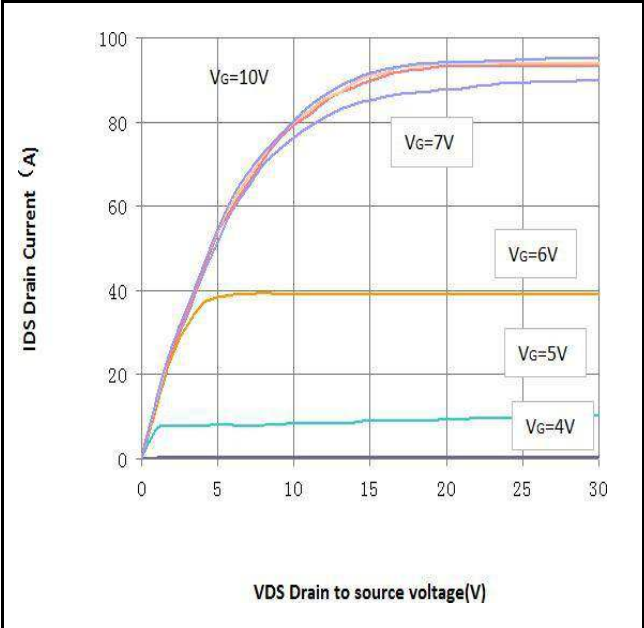


Fig 5. Typical Output Characteristics

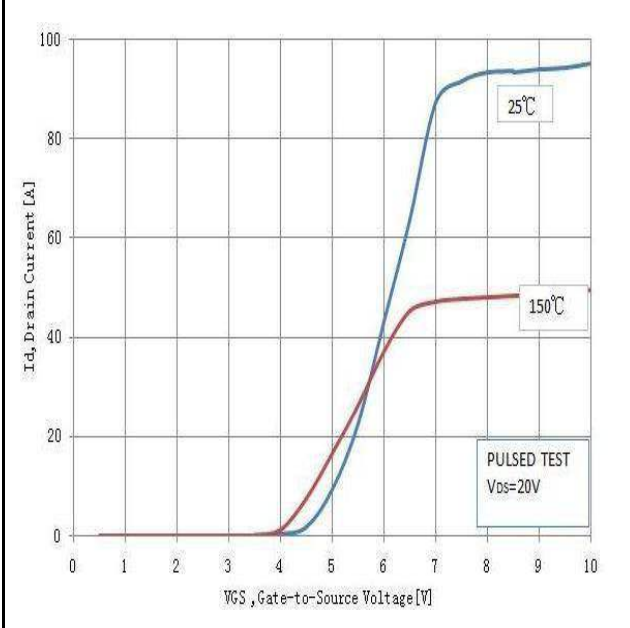
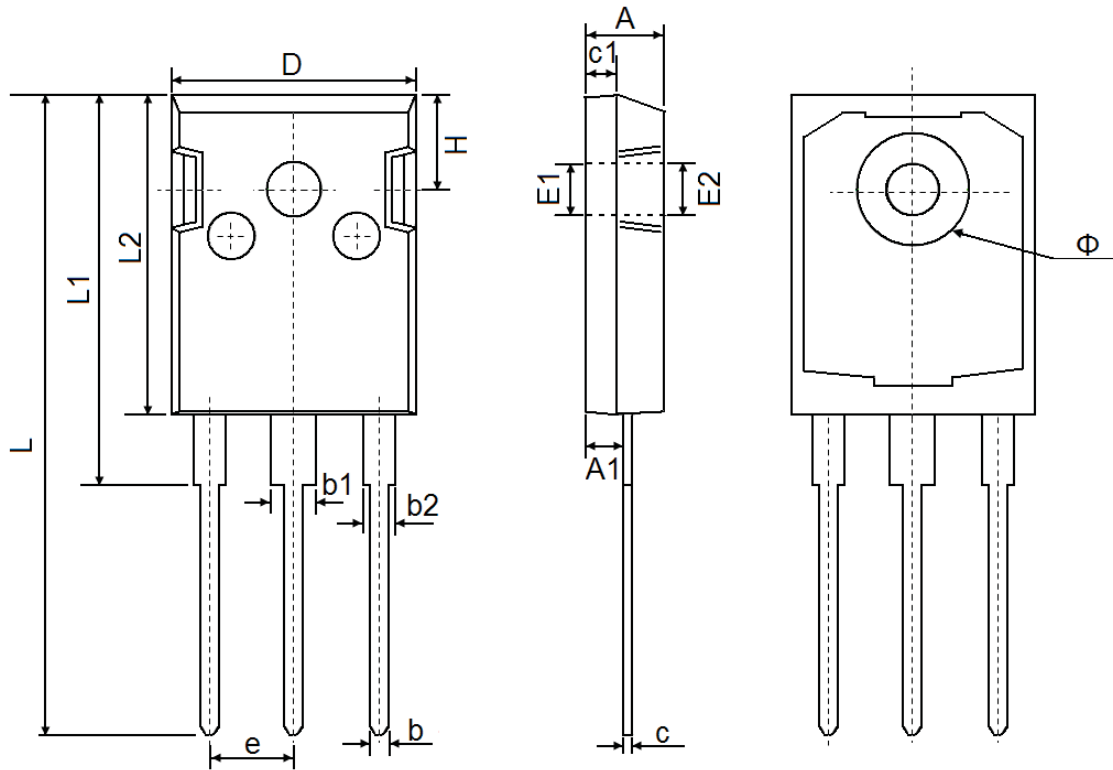


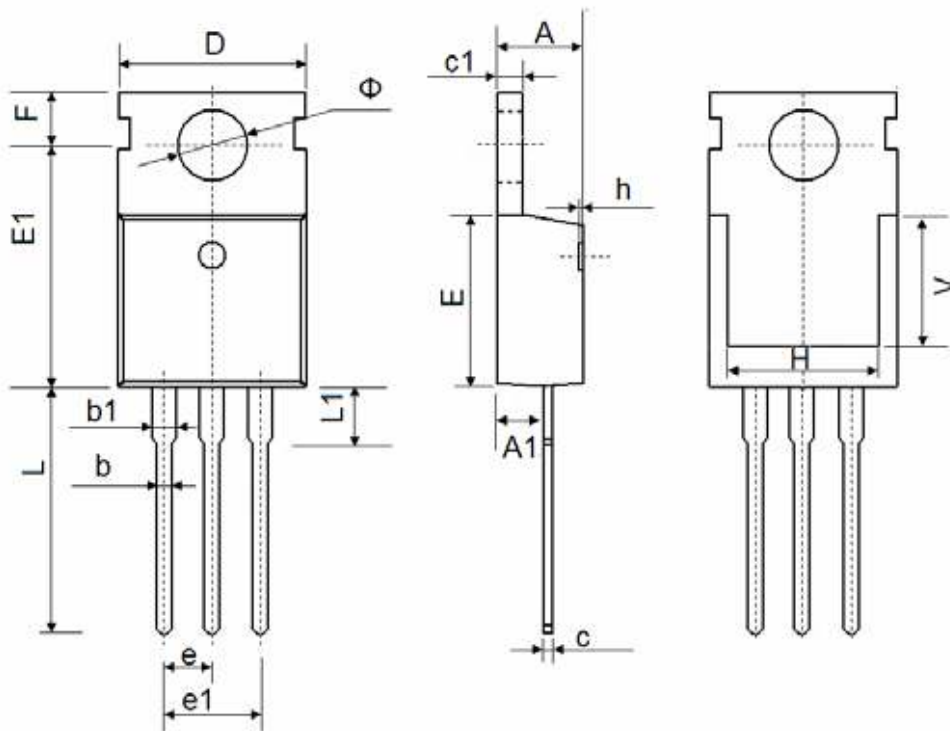
Fig 6. Typical Transfer Characteristics

TO-247 Package Information



Symbol	Dimensions In Millimeters		Dimensions In Inches	
	Min.	Max.	Min.	Max.
A	4.850	5.150	0.191	0.200
A1	2.200	2.600	0.087	0.102
b	1.000	1.400	0.039	0.055
b1	2.800	3.200	0.110	0.126
b2	1.800	2.200	0.071	0.087
c	0.500	0.700	0.020	0.028
c1	1.900	2.100	0.075	0.083
D	15.450	15.750	0.608	0.620
E1	3.500 REF		0.138 REF	
E2	3.600 REF		0.142 REF	
L	40.900	41.300	1.610	1.626
L1	24.800	25.100	0.976	0.988
L2	20.300	20.600	0.799	0.811
Φ	7.100	7.300	0.280	0.287
e	5.450 TYP		0.215 TYP	
H	5.980 REF		0.235 REF	

TO-220-3L Package Information



Symbol	Dimensions In Millimeters		Dimensions In Inches	
	Min.	Max.	Min.	Max.
A	4.400	4.600	0.173	0.181
A1	2.250	2.550	0.089	0.100
b	0.710	0.910	0.028	0.036
b1	1.170	1.370	0.046	0.054
c	0.330	0.650	0.013	0.026
c1	1.200	1.400	0.047	0.055
D	9.910	10.250	0.390	0.404
E	8.9500	9.750	0.352	0.384
E1	12.650	12.950	0.498	0.510
e	2.540 TYP.		0.100 TYP.	
e1	4.980	5.180	0.196	0.204
F	2.650	2.950	0.104	0.116
H	7.900	8.100	0.311	0.319
h	0.000	0.300	0.000	0.012
L	12.900	13.400	0.508	0.528
L1	2.850	3.250	0.112	0.128
V	7.500 REF.		0.295 REF.	
Φ	3.400	3.800	0.134	0.150

DISCLAIMER NOTICE

Rectron Inc reserves the right to make changes without notice to any product specification herein, to make corrections, modifications, enhancements or other changes. Rectron Inc or anyone on its behalf assumes no responsibility or liability for any errors or inaccuracies. Data sheet specifications and its information contained are intended to provide a product description only. "Typical" parameters which may be included on RECTRON data sheets and/ or specifications can and do vary in different applications and actual performance may vary over time. Rectron Inc does not assume any liability arising out of the application or use of any product or circuit.

Rectron products are not designed, intended or authorized for use in medical, life-saving implant or other applications intended for life-sustaining or other related applications where a failure or malfunction of component or circuitry may directly or indirectly cause injury or threaten a life without expressed written approval of Rectron Inc. Customers using or selling Rectron components for use in such applications do so at their own risk and shall agree to fully indemnify Rectron Inc and its subsidiaries harmless against all claims, damages and expenditures.