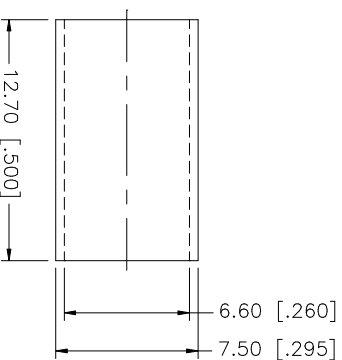
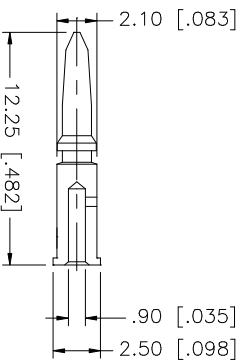
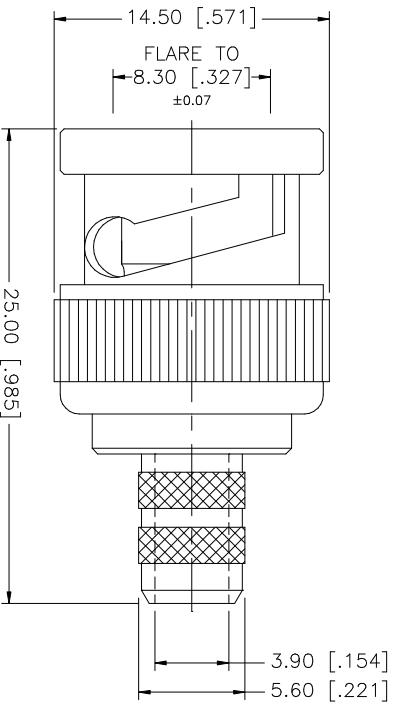
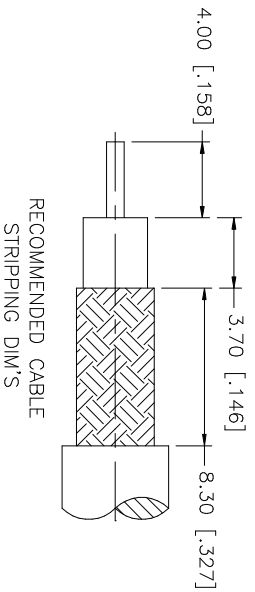


REV.	DATE	DESCRIPTION
NC	01/14/03	INITIAL RELEASE
A	04/19/06	REVISE CONTACT PIN MATERIAL AND PLATING
B	05/07/06	REVISE INSULATOR MATERIAL TO DELRIN



CRIMP NOTES:

1. CRIMPED FERRULE
HEX CRIMP SIZE .255"
2. CRIMPED CONTACT PIN
HEX CRIMP SIZE .068"

NO.	DESCRIPTION	MATERIAL	FINISH	QTY	DO NOT SCALE DRAWING	APPROVALS	DATE	PART DESCRIPTION	PART NO.	DWG. NO.	REV.	SIZE	SCALE
8								Amphenol Connex BNC CRIMP PLUG – RG59/U 20AWG CENTER CONTACT – 75ohm	112507	112507.DWG	B	A	NA
7													
6													
5													
4	FERRULE	BRASS	NICKEL	1									
3	INSULATOR	DELRIN	NATURAL	1									
2	CONTACT PIN	BRASS	GOLD	1									
1	HOUSING/BODY	BRASS	NICKEL	1									
					UNLESS OTHERWISE SPECIFIED DIMENSIONS ARE IN MILLIMETERS. DIMENSIONS IN [] ARE IN INCHES AND FOR CUSTOMER REFERENCE ONLY.								
					UNLESS OTHERWISE SPECIFIED TOLERANCES FOR MILLIMETERS ARE:								
					0.5 – 8mm ± 0.20mm								
					8 – 30mm ± 0.40mm								
					30 – 120mm ± 0.50mm								
					UNLESS OTHERWISE SPECIFIED TOLERANCES FOR INCHES ARE:								
					.020 – .315 = ± 0.007"								
					.315 – 1.180 = ± 0.015"								
					1.180 – 4.724 = ± 0.020"								
CAD FILE													
C:/112/112507.DWG													