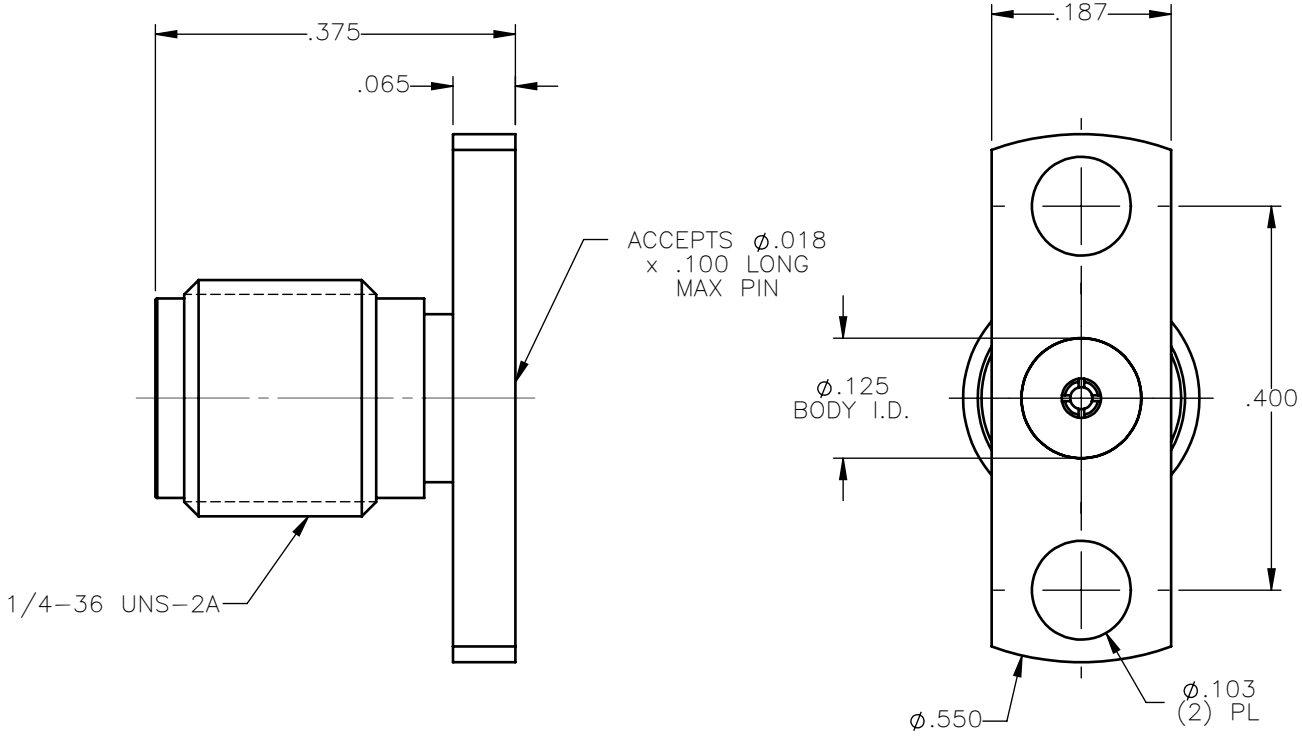


REVISIONS			
REV.	DESCRIPTION	DATE	APPROVED
A	INITIAL RELEASE	02/16/15	N.D.





NOTES:

MATERIALS:

1. BODY = STAINLESS STEEL PER ASTM A582, ALLOY 303, CONDITION "A".
2. INSULATOR = VIRGIN WHITE TEFLON PER ASTM D1710, GRADE 1, TYPE I, CLASS "B".
3. CONTACT = BERYLLIUM COPPER PER ASTM B196, ALLOY C17300, TEMPER TD04.

FINISHES:

1. BODY = PASSIVATE PER SAE-AMS-2700
2. CONTACT = GOLD PLATE PER ASTM B488-01, TYPE II, 50 μ in MIN, GRADE C, OVER 100 TO 200 μ in STRESS FREE SULFAMATE NICKEL PER QQ-N-290.

UNLESS OTHERWISE SPECIFIED DIMENSIONS ARE IN INCHES TOLERANCES ON	DWN: N.D.	DATE: 02/16/15	 Property of Radiall This document cannot be reproduced or communicated to a third party without prior written permission of RADIALL.		
	CHKD: D.N.	DATE: 02/16/15			
DECIMAL	ANGLE	APVD: J.M.	SMA STRAIGHT JACK 2 HOLE FLANGE MOUNT RECEPTACLE		
		DATE: 02/16/15			
REFERENCE:	MATERIALS AND FINISHES:	SIZE: A	FSCM NO.: 19505	DWG NO.: 9081-9513-000	REV: A
ORIGINATED: N.D. DATE: 02/16/15	SEE NOTES	SCALE: 5:1	THIRD ANGLE PROJECTION		SHEET 1 OF 1

9081-9513-000