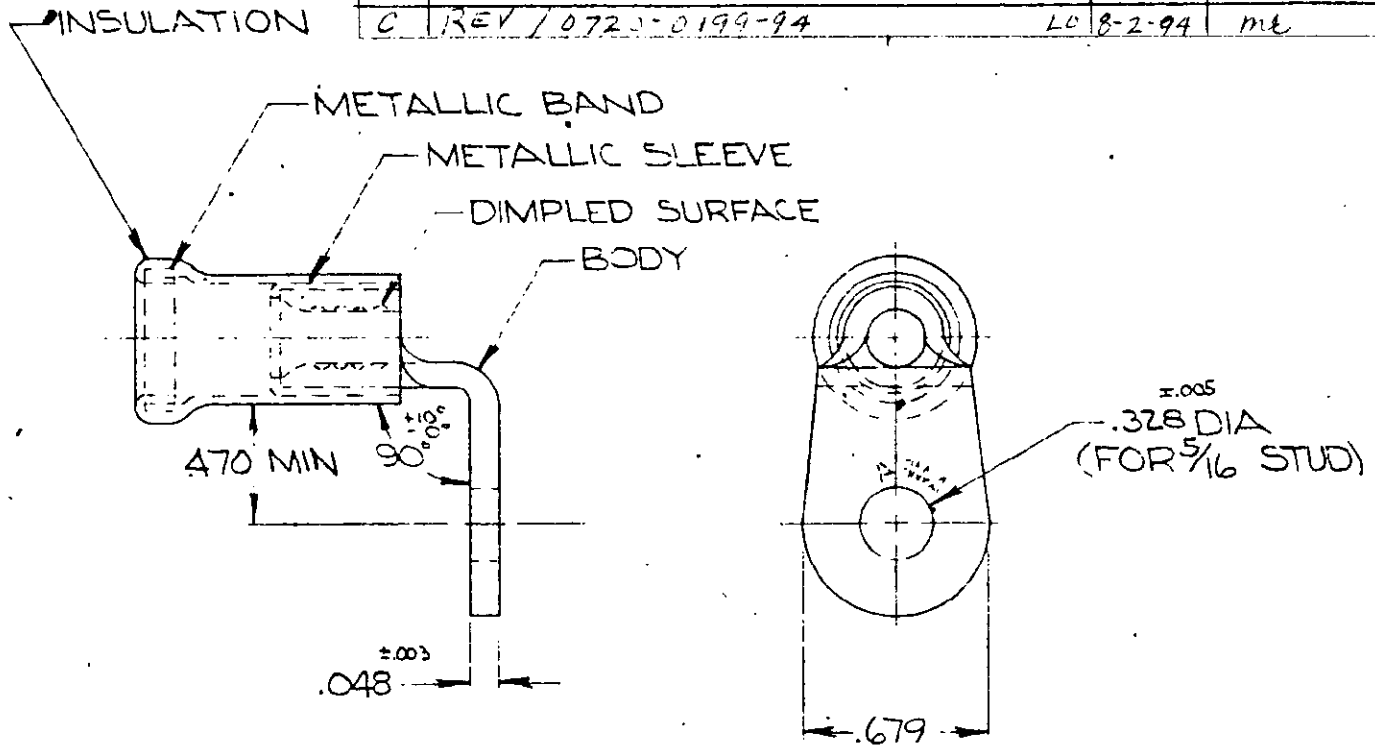


DRAWING MADE IN AMERICAN PROJECTION

LOC G PRINT 0137 14

© 1955 BY AMP INCORPORATED. ALL RIGHTS RESERVED. AMP PRODUCTS COVERED BY PATENTS AND/OR PATENTS PENDING.

REVISIONS					
LTR	DESCRIPTION	DATE	APPROVED		
A	REDRAW & REVISED PC-5563	LE 1-5-70	JMC		
B	REV G-4680	TMS 5-5-88	JT		
C	REV / 0723-0199-94	LC 8-2-94	ML		



FOR 436 MAX WIRE INS. DIA

WIRE TERMINAL	322897	BODY: COPPER (QQ-C-576)	
		TINI PL (MIL-T-10727)	
		INSULATION: PVC COLOR: YELLOW	
		METALLIC SLEEVE: COPPER (QQ-C-576)	
METALLIC BAND: STEEL (ASTM A109)		QQ-S-698	
QTY	DESCRIPTION	PART NO.	MATERIAL & FINISH
UNLESS OTHERWISE SPECIFIED DIMENSIONS ARE IN INCHES		CONTRACT NO.	 AMP INCORPORATED HARRISBURG, PENNSYLVANIA
TOLERANCES ON: DECIMALS ±.008 ANGLES ± 5°		DR. <i>J. Epler</i> 11-10-69	
MATERIAL SEE TABLE	CHK <i>AM Enaminger</i> 1-5-70	NAME	
	APPD <i>Livabel</i> 1-8-70	WIRE TERMINAL	
	REL <i>AM Enaminger</i> 1-7-70	AMPLI-BOND-RING TONGUE-BENT 90°	
	DSGN APPD	WIRE SIZE: 4	
OTHER APPD	SIZE A	CODE 00779	NUMBER 322897
SCALE		SHEET # OF #	