

PART NAME: KNOB

SCALE: 1:1

DATE: 10/18/94

DR. BY HD

DESIGNERS & MANUFACTURERS
OF KNOBS, HANDLES, CASES &
CUSTOM PLASTIC COMPONENTS

P/N 3050EH

THIS DRAWING IS THE PROPERTY OF DAVIES MOLDING COMPANY, IS SUBMITTED SOLELY AS A DESIGN OR ENGINEERING PROJECT.
WE ACCEPT NO RESPONSIBILITY WHATSOEVER FOR THE PRACTICAL APPLICATION OF THE PIECES MADE TO THIS DESIGN.M^{NO.} 3050

CAVITY 3050

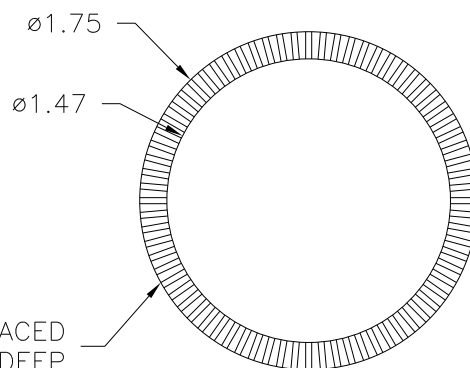
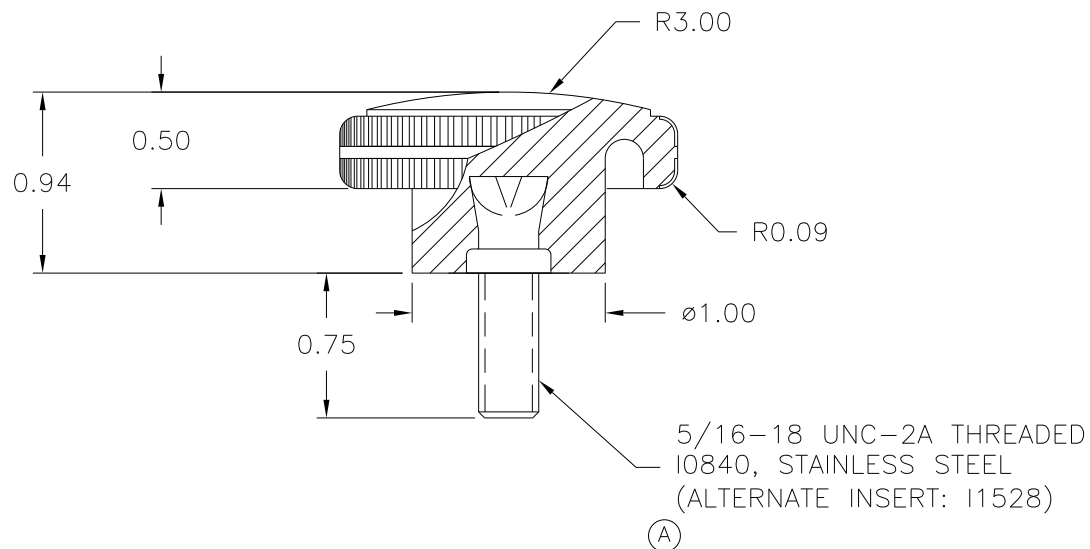
PLUNGER 3050

PINS 3000-E

PIN BAR SHIM .018

INSERT I0840

(A) ALT. INSERT I1528

72 KNURLS EQUALLY SPACED
0.03 WIDE X 0.02 DEEP5/16-18 UNC-2A THREADED
I0840, STAINLESS STEEL
(ALTERNATE INSERT: I1528)

(A)

MATERIAL: G.P. PHENOLIC (B11)
COLOR: BLACK

TOLERANCES: UNLESS OTHERWISE SPECIFIED	DO NOT SCALE DRAWING			
DECIMALS: X.XXX ± .005 X.XX ± .015	MM: X.XX ± 0.15MM X.X ± 0.4MM	A	ADDED ALT. INSERT	JAM 8/9/13
		-	REDRAWN	TL 9/1/99
FRACTIONS ± 1/64	ANG. ± 1°	CHANGES		