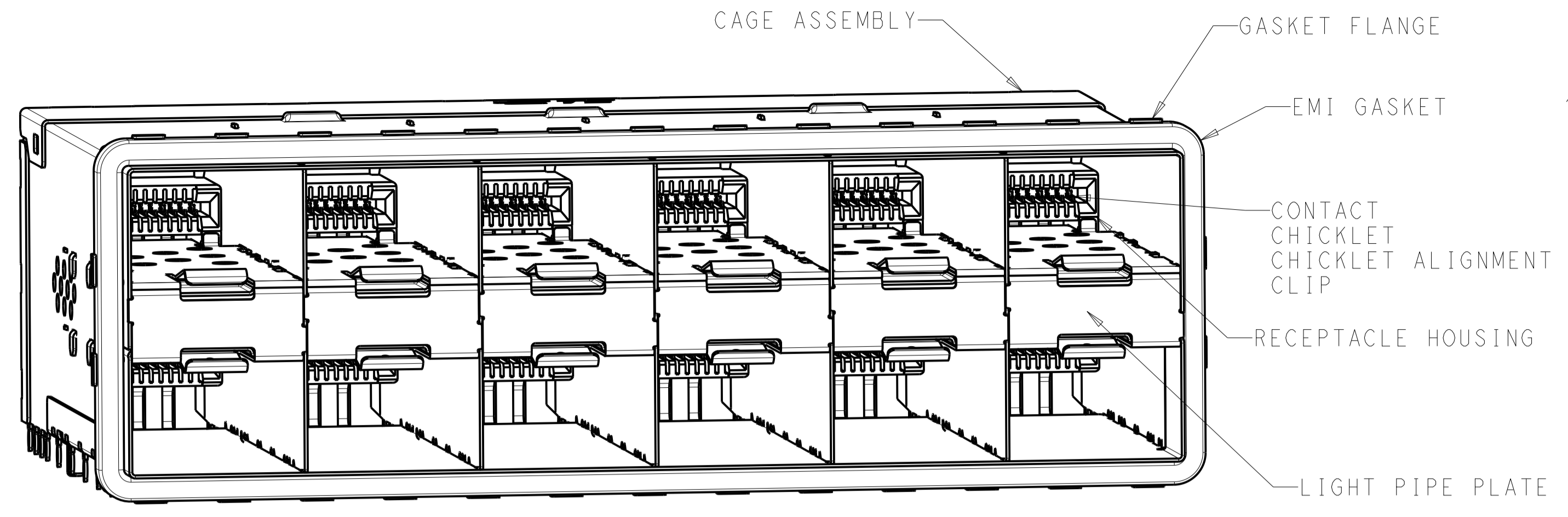


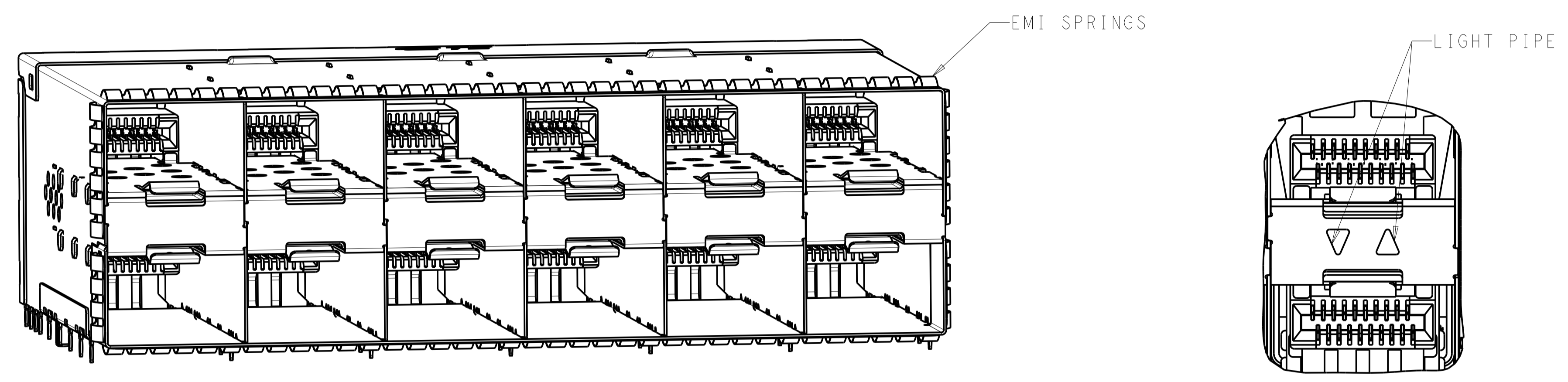
LOC	DIST	REVISIONS			
		REV	DATE	BY	APPV
GP	00	A	05 JUN 2019	JW	SH
		B	02 JUL 2020	JY	SH



- MATERIALS:
CAGE ASSEMBLY - NICKEL-SILVER ALLOY PER ASTM B 122
CONNECTOR HOUSING - LCP, BLACK, UL 94V-0 RATED
CHICKLET - LCP, BLACK, UL 94V-0 RATED
CHICKLET ALIGNMENT CLIP - LCP, BLACK, UL 94V-0 RATED
CONTACT - COPPER ALLOY
EMI GASKET - ELASTOMERIC
GASKET FLANGE - STAINLESS STEEL
EMI SPRINGS - PHOSPHOR BRONZE PER ASTM B 103, 0.8µm MIN TIN PER ASTM B 545
LIGHT PIPE - POLYCARBONATE
LIGHT PIPE PLATE - STAINLESS STEEL
- CONTACT FINISH:
CONFORMS TO THE REQUIREMENTS OF PRODUCT SPECIFICATION 108-2481, BASED ON EIA/ECA-364-1000.01A, (CONTROLLED ENVIRONMENT APPLICATIONS) ON MATING INTERFACE, TIN ON NEEDLE EYE
- PCB MINIMUM THICKNESS = 1.5mm

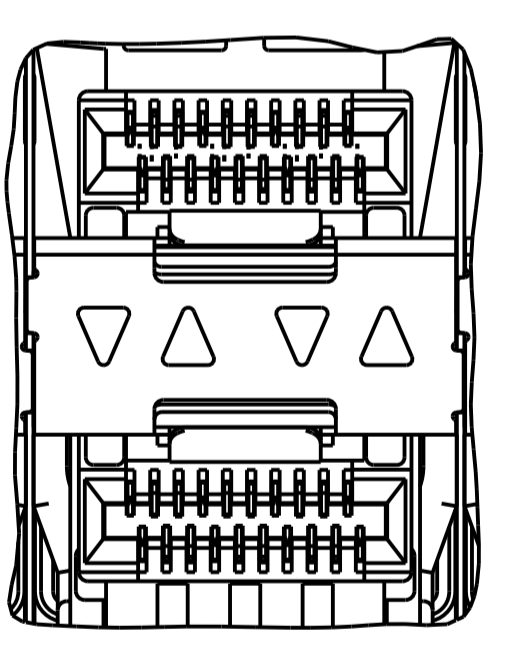
- △ FOR HOLE SIZE AND PLATINGS, SEE APPLICATION SPECIFICATION 114-13319
- △ LIGHT PIPE PAD LAYOUT IS FOR 0805 LOW PROFILE LED PACKAGE WITH A HEIGHT OF 0.8mm
- △ DIMENSIONS APPLY FOR EMI SPRINGS ONLY
- △ THE ENTIRE AREA OF THE CONNECTOR FOOTPRINT, INDICATED BY THE DASHED LINE, TO BE CONSIDERED THE KEEPOUT AREA FOR COMPONENTS AND SIGNAL TRACES, TOP SIDE ONLY, TOP SIDE TRACES ALLOWED WITHIN CONNECTOR HOLE PATTERN

2347721-1
SCALE 3:1

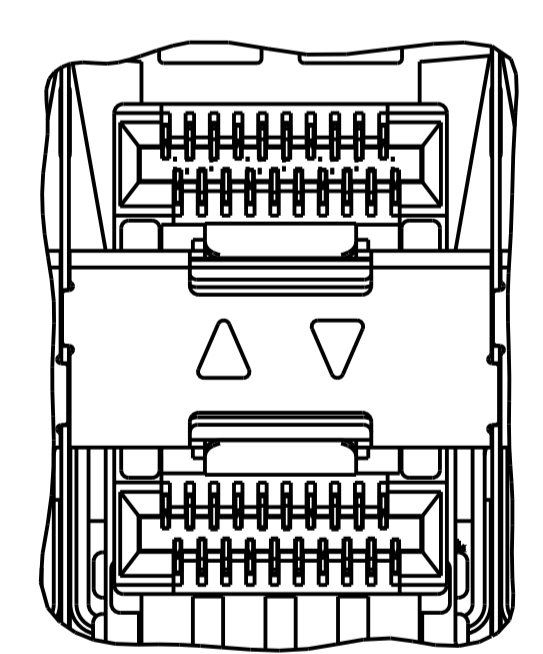


REVERSED INNER LIGHT PIPES
2-2347721-1, 1-2347721-3
SCALE 4:1

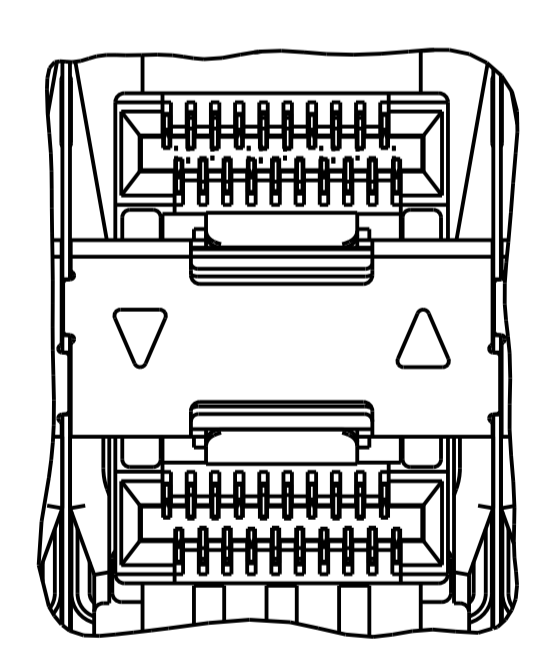
2347721-5
SCALE 3:1



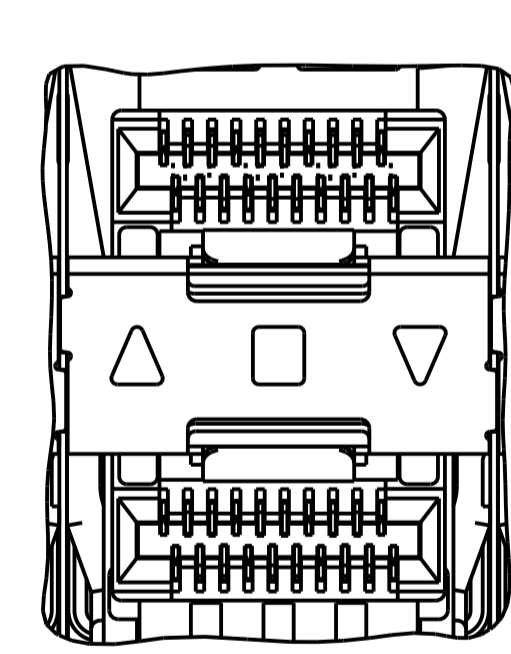
INNER/OUTER LIGHT PIPES
2347721-2, 2347721-6
SCALE 4:1



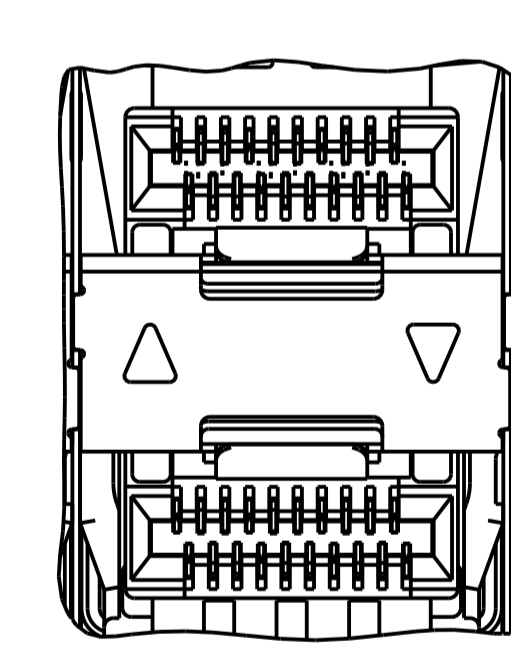
INNER LIGHT PIPES
2347721-3, 2347721-7
SCALE 4:1



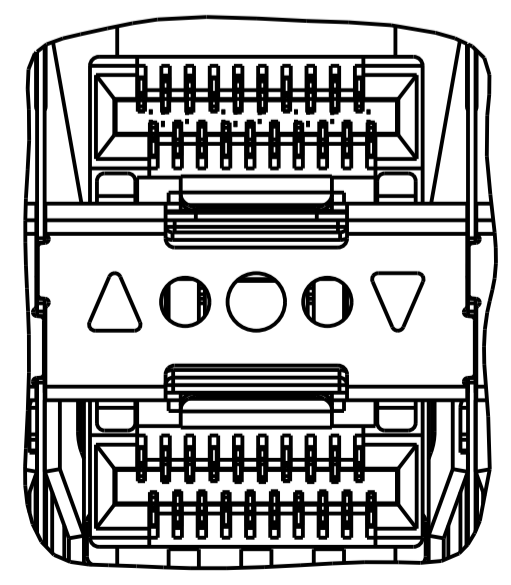
OUTER LIGHT PIPES
2347721-4, 2347721-8
SCALE 4:1



CENTER/REVERSED OUTER
1-2347721-7, 1-2347721-9
SCALE 4:1



REVERSED OUTER LIGHT PIPE
1-2347721-8, 2-2347721-0
SCALE 4:1



REVERSED OUTER LIGHT PIPE
3-2347721-3
SCALE 4:1

88	EMI SPRING AIRFLOW ENHANCE TYPE	REVERSED OUTER	3-2347721-3
88	EMI SPRING AIRFLOW ENHANCE TYPE	NONE	3-2347721-1
90.75	EMI GASKET AIRFLOW ENHANCE TYPE	NONE	3-2347721-0
88	EMI SPRINGS	REVERSED INNER	2-2347721-1
		REVERSED OUTER	2-2347721-0
		CENTER/REVERSED OUTER	1-2347721-9
90.75	EMI GASKET	REVERSED OUTER	1-2347721-8
		CENTER/REVERSED OUTER	1-2347721-7
88	EMI SPRINGS WITH NICKEL PLATING ONLY	REVERSED INNER	1-2347721-3
		OUTER	1-2347721-2
		INNER	1-2347721-1
		INNER/OUTER	1-2347721-0
		NONE	2347721-9
88	EMI SPRINGS	OUTER	2347721-8
		INNER	2347721-7
		INNER/OUTER	2347721-6
		NONE	2347721-5
90.75	EMI GASKET	OUTER	2347721-4
		INNER	2347721-3
		INNER/OUTER	2347721-2
		NONE	2347721-1
(E)	CAGE TYPE	LIGHT PIPE CONFIGURATION	PART NUMBER

THIS DRAWING IS A CONTROLLED DOCUMENT.

DIMENSIONS: mm. TOLERANCES UNLESS OTHERWISE SPECIFIED: 0 PLC ±0.25, 1 PLC ±0.25, 2 PLC ±0.25, 3 PLC ±0.25, 4 PLC ±0.25, ANGLES ±°.

MATERIAL: SEE NOTES. FINISH: SEE NOTES.

DWN: J. WANG, 26FEB2019. CHK: S. HAN, 26FEB2019. APPV: S. HAN, 26FEB2019.

PRODUCT SPEC: 108-2481. APPLICATION SPEC: 114-13319.

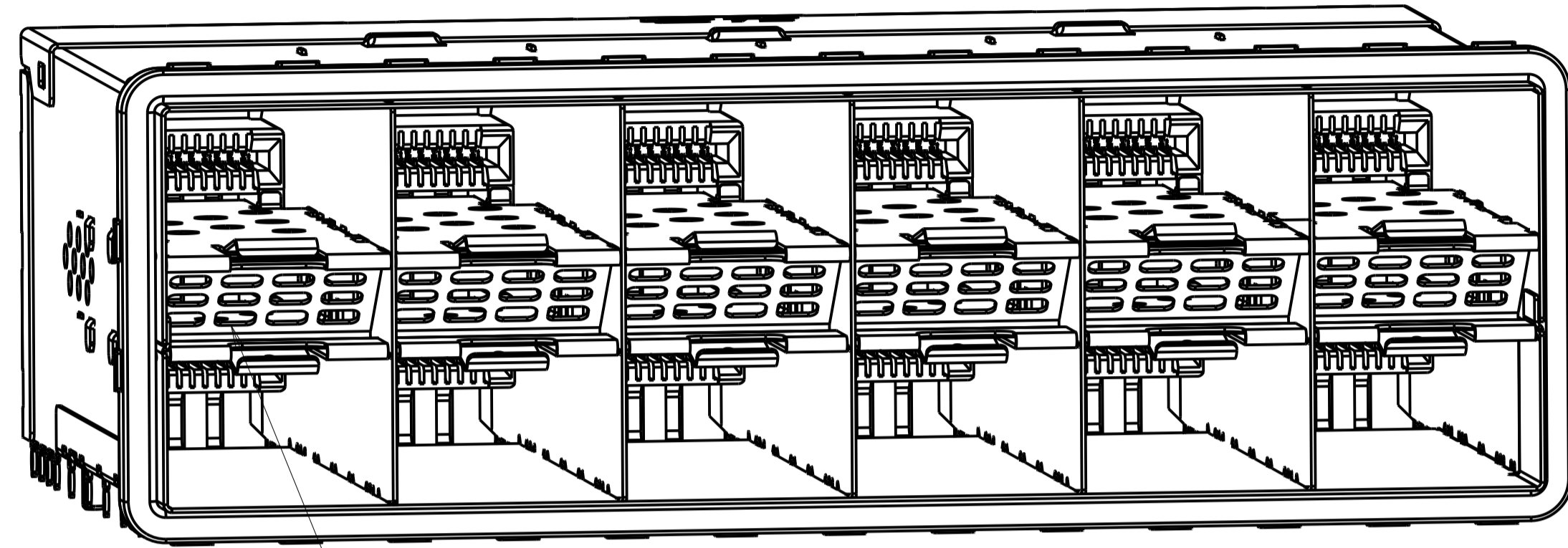
WEIGHT: -. CUSTOMER DRAWING.

RESTRICTED TO: A100779. SCALE: 1:1. SHEET 1 OF 7. REV B.

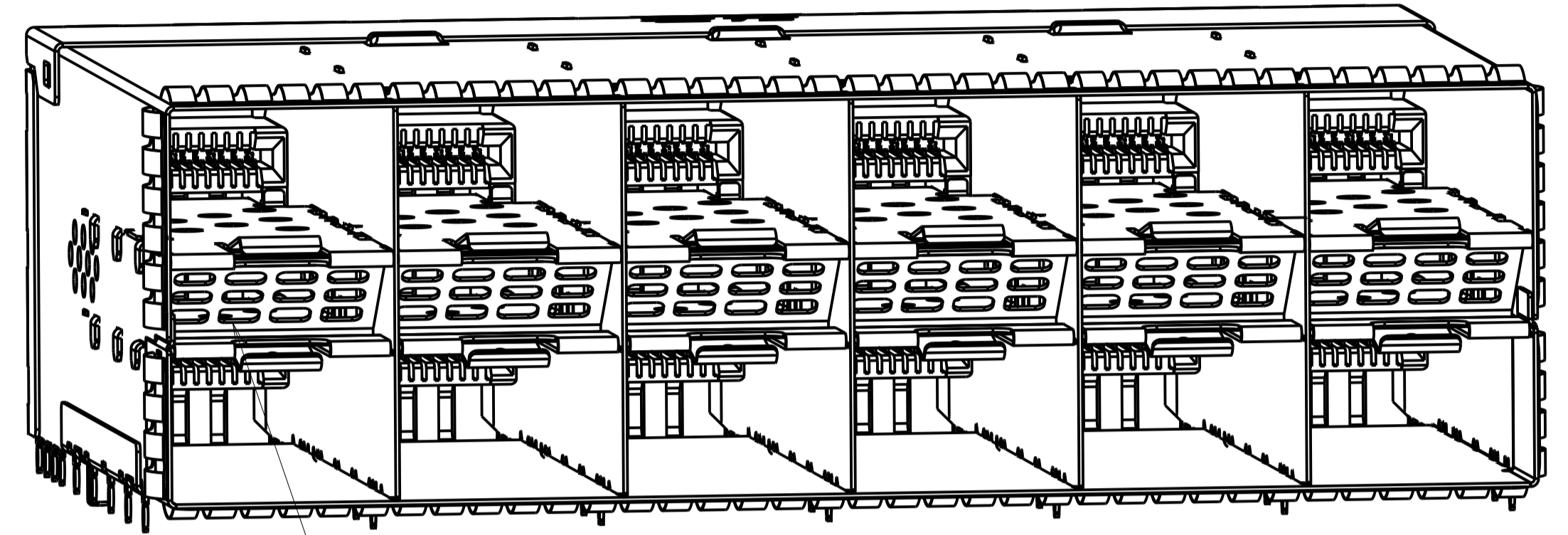
STE TE Connectivity

RECEPTACLE ASSEMBLY, 2X6, STACKED, SFP56

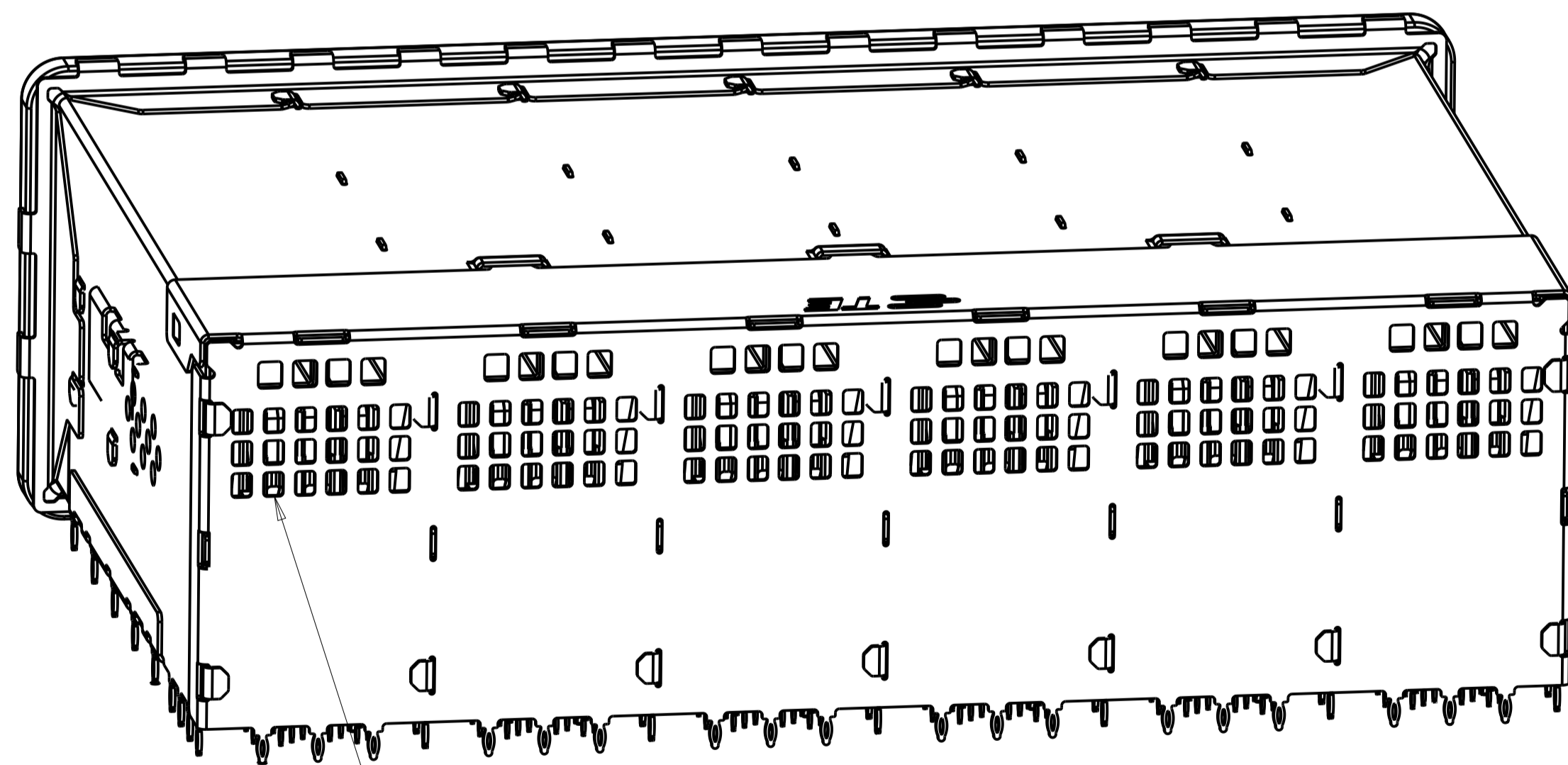
AIRFOLW ENHANCE TYPE



AIR VENTS

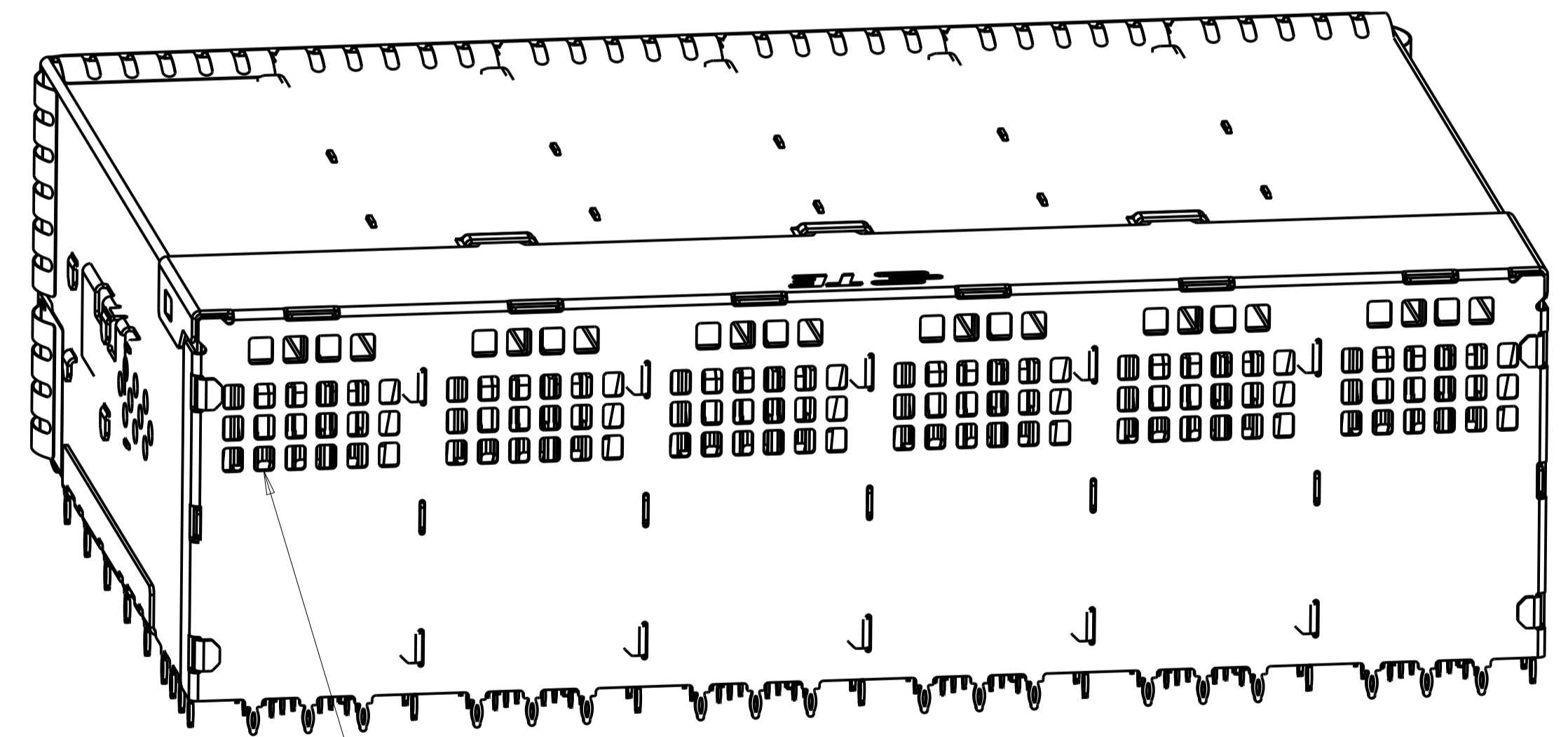


AIR VENTS



AIR VENTS

3-2347721-0
EMI GASKET TYPE



AIR VENTS

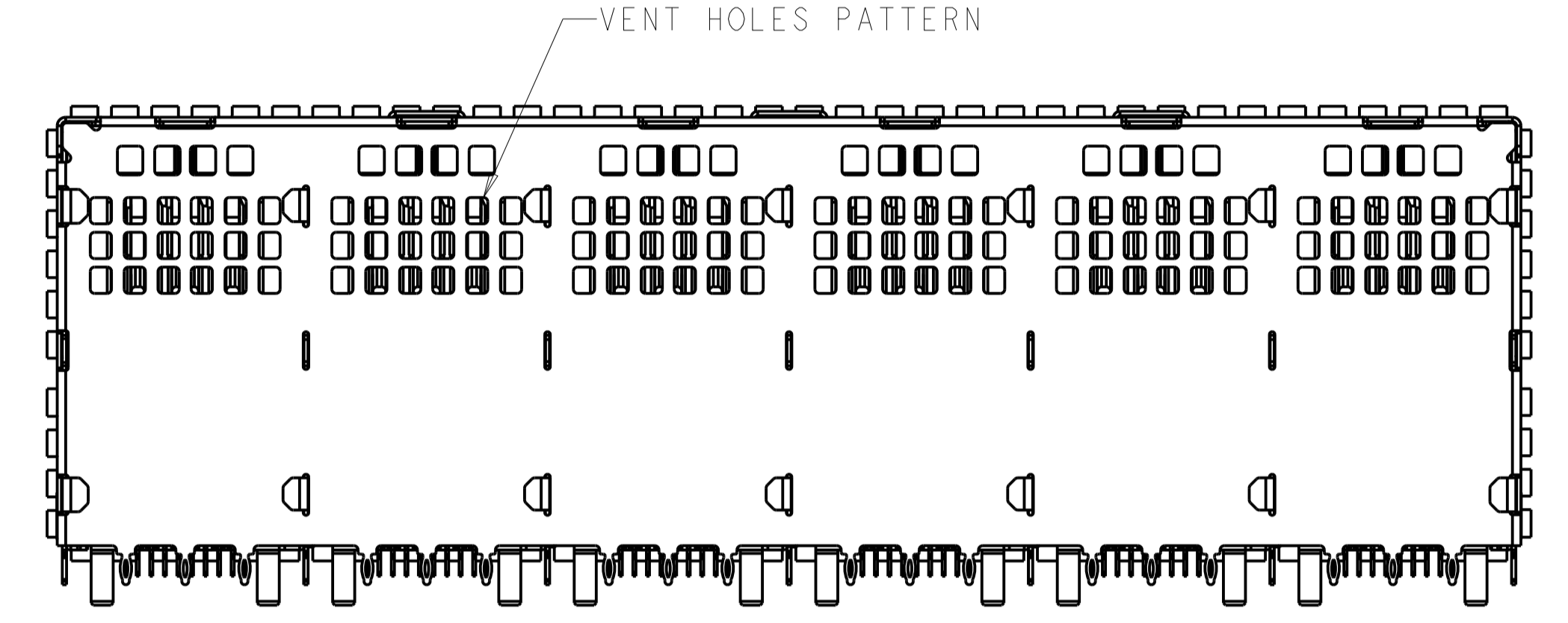
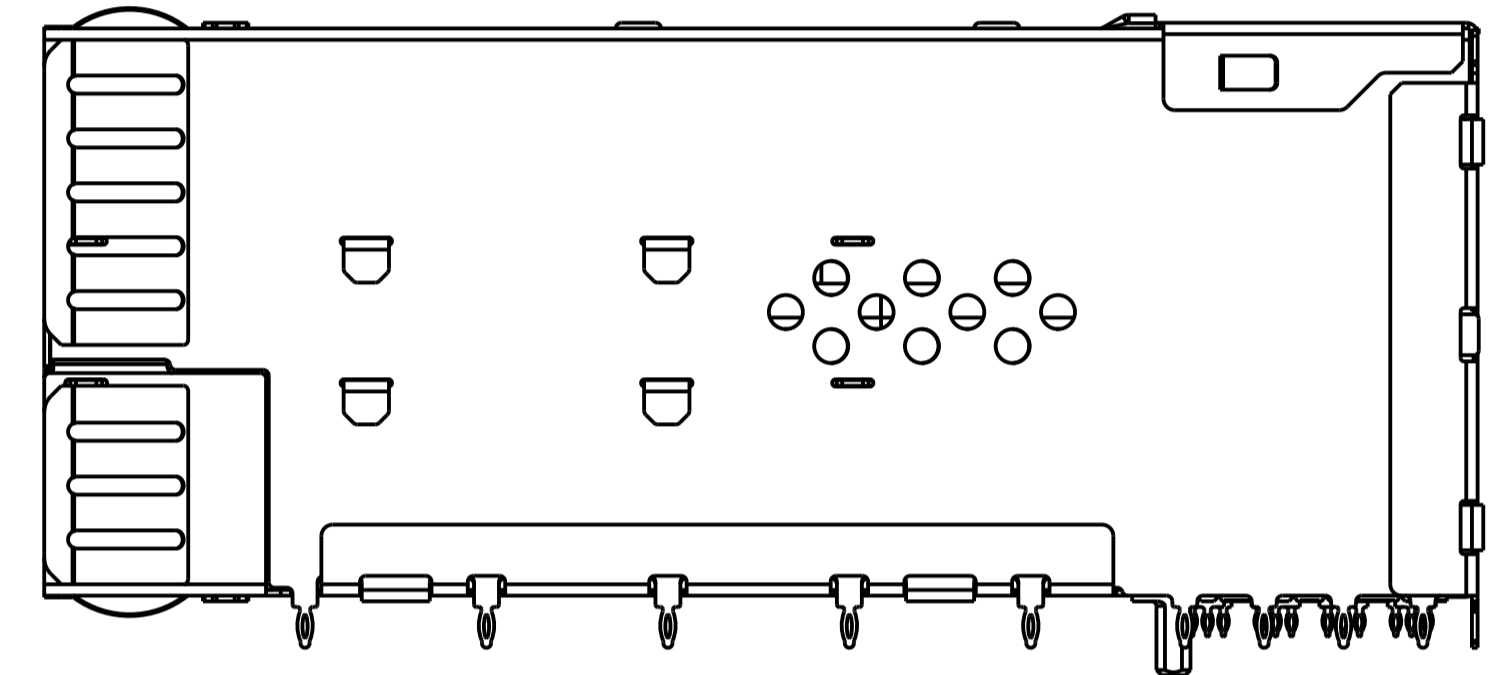
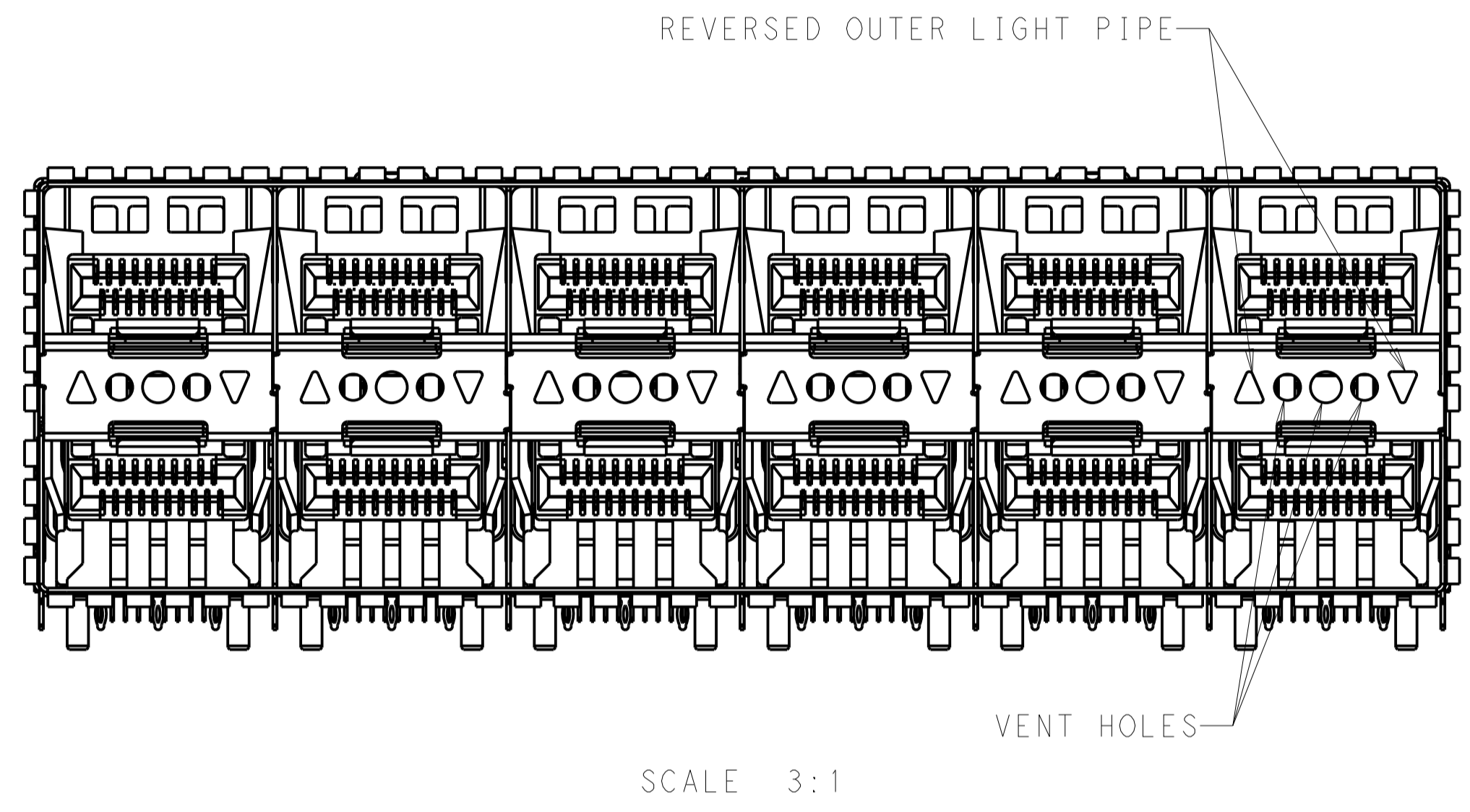
3-2347721-1
EMI SPRING TYPE

LOC	DIST	REVISIONS			
GP	00	REV	DATE	BY	APPV
		1	SEE SHEET 1		

THIS DRAWING IS A CONTROLLED DOCUMENT.		OWN: J. WANG 26FEB2019	TE Connectivity
DIMENSIONS: mm		CHK: S. HAN 26FEB2019	
TOLERANCES UNLESS OTHERWISE SPECIFIED:		APVD: S. HAN 26FEB2019	NAME: RECEPTACLE ASSEMBLY, 2X6, STACKED, SFP56
0 PLC ±0.25	1 PLC ±0.25	PRODUCT SPEC 108-2481	SIZE: A1
2 PLC ±0.25	3 PLC ±0.25	APPLICATION SPEC 114-13319	CAGE CODE: 00779
4 PLC ±0.25	ANGLES ±°	WEIGHT	DRAWING NO: 2347721
MATERIAL: SEE NOTES	FINISH: SEE NOTES	CUSTOMER DRAWING	SCALE: 1:1
		SHEET 2 OF 7	REV B

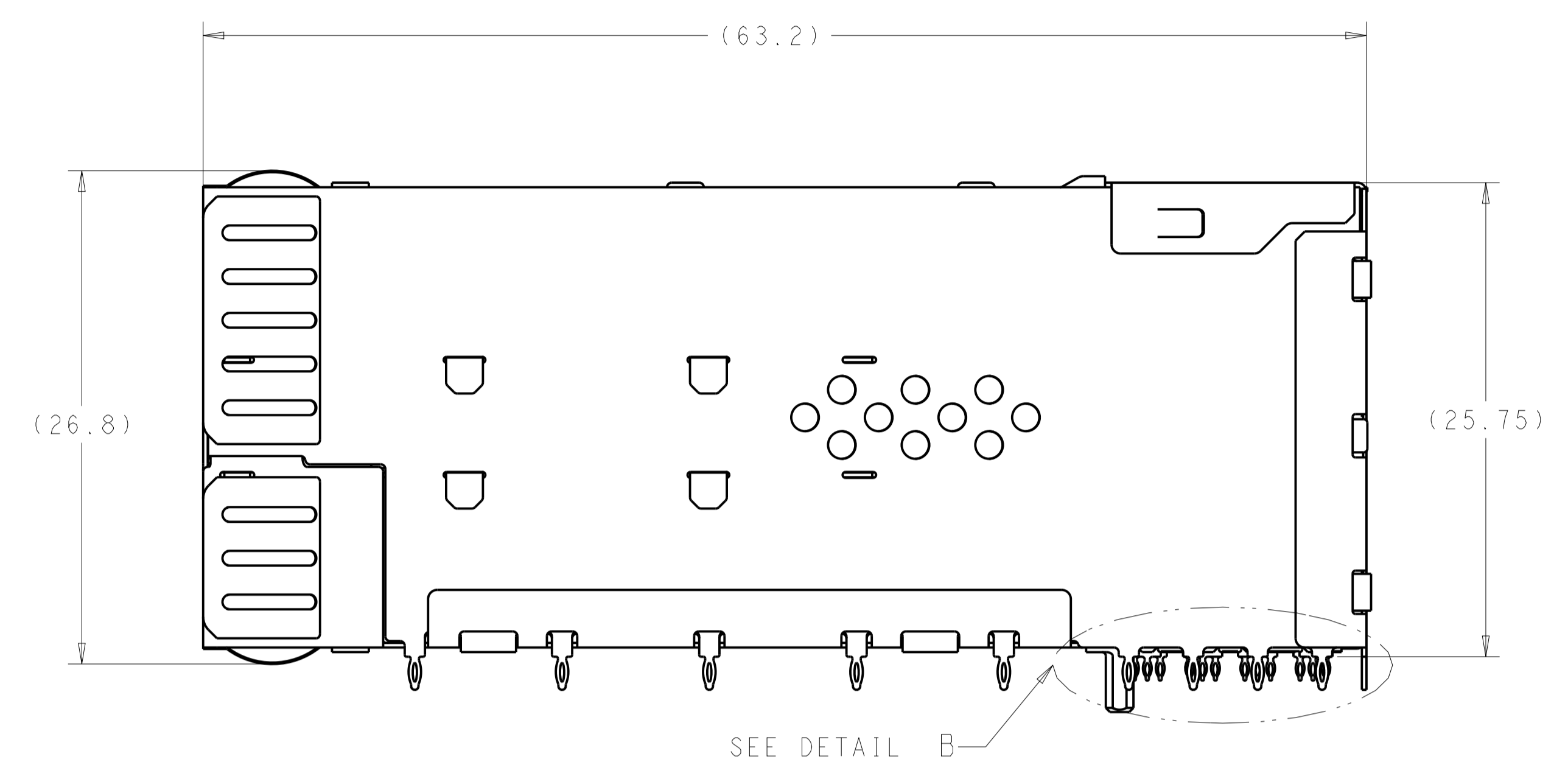
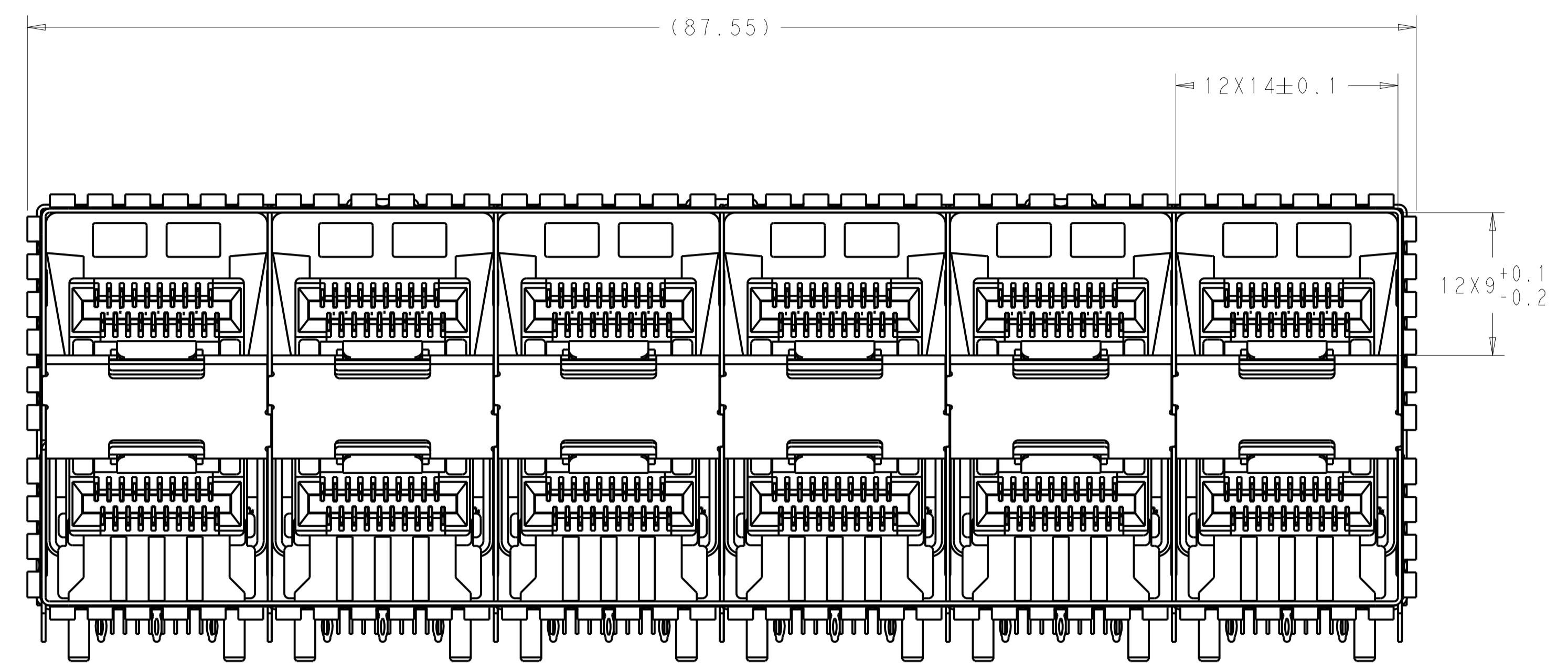
3-2347721-3 AIR FLOW ENHANCED VERSION
 UNMARKED DIMENSION SAME AS 2347721-5

LOC	DIST	REVISIONS					
GP	00	P	LYR	DESCRIPTION	DATE	DWN	APVD
		-		SEE SHEET 1		-	-

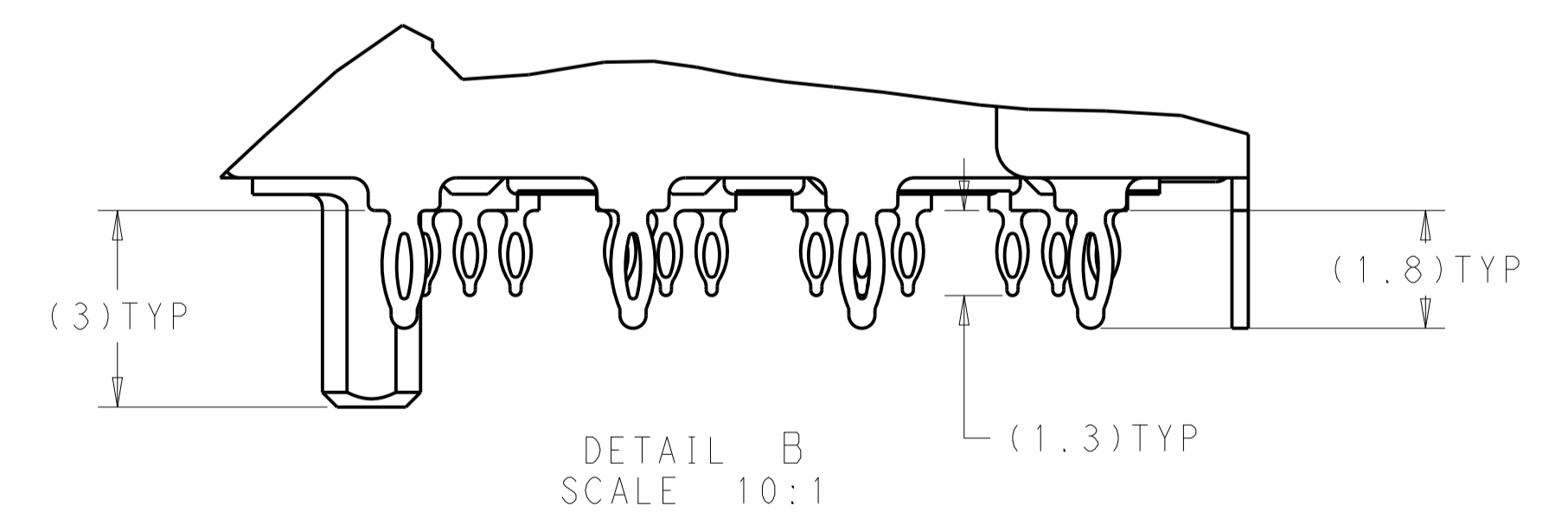
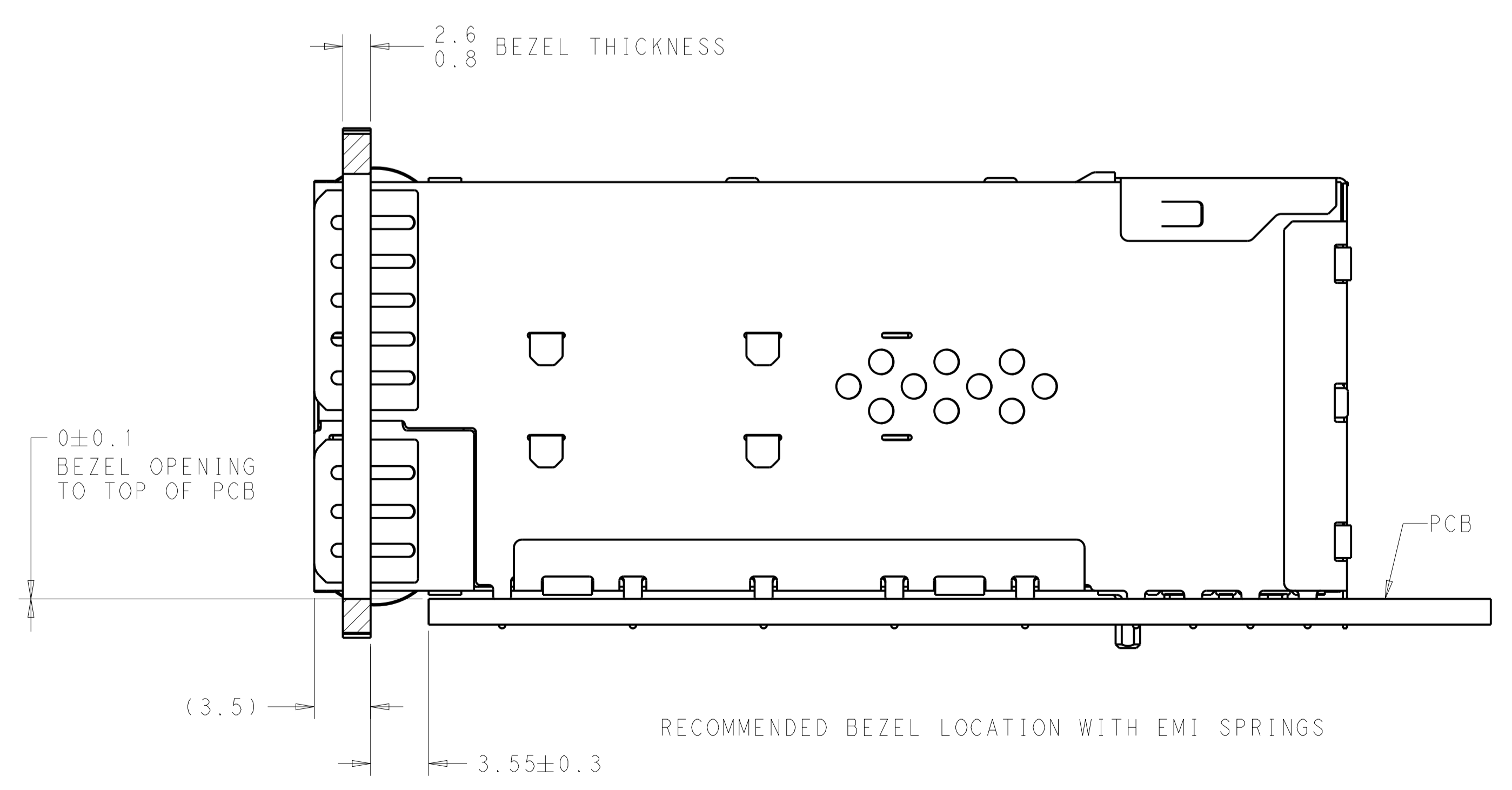


THIS DRAWING IS A CONTROLLED DOCUMENT.		DWN J. WANG 26FEB2019	TE Connectivity												
DIMENSIONS: mm		CHK S. HAN 26FEB2019													
TOLERANCES UNLESS OTHERWISE SPECIFIED:		APVD S. HAN 26FEB2019	NAME RECEPTACLE ASSEMBLY, 2X6, STACKED, SFP56												
<table border="1"> <tr><td>0 PLC</td><td>±0.25</td></tr> <tr><td>1 PLC</td><td>±0.25</td></tr> <tr><td>2 PLC</td><td>±0.25</td></tr> <tr><td>3 PLC</td><td>±0.25</td></tr> <tr><td>4 PLC</td><td>±0.25</td></tr> <tr><td>ANGLES</td><td>±°</td></tr> </table>		0 PLC	±0.25	1 PLC	±0.25	2 PLC	±0.25	3 PLC	±0.25	4 PLC	±0.25	ANGLES	±°	PRODUCT SPEC 108-2481	SIZE A100779
0 PLC	±0.25														
1 PLC	±0.25														
2 PLC	±0.25														
3 PLC	±0.25														
4 PLC	±0.25														
ANGLES	±°														
MATERIAL SEE NOTES		APPLICATION SPEC 114-13319	CAGE CODE DRAWING NO C=2347721												
FINISH SEE NOTES		WEIGHT -	RESTRICTED TO -												
CUSTOMER DRAWING		SCALE 1:1	SHEET 3 OF 7												
		REV B													

LOC	DIST	REVISIONS					
		REV	LTN	DESCRIPTION	DATE	DWN	APVD
GP	00	-	-	SEE SHEET 1	-	-	-

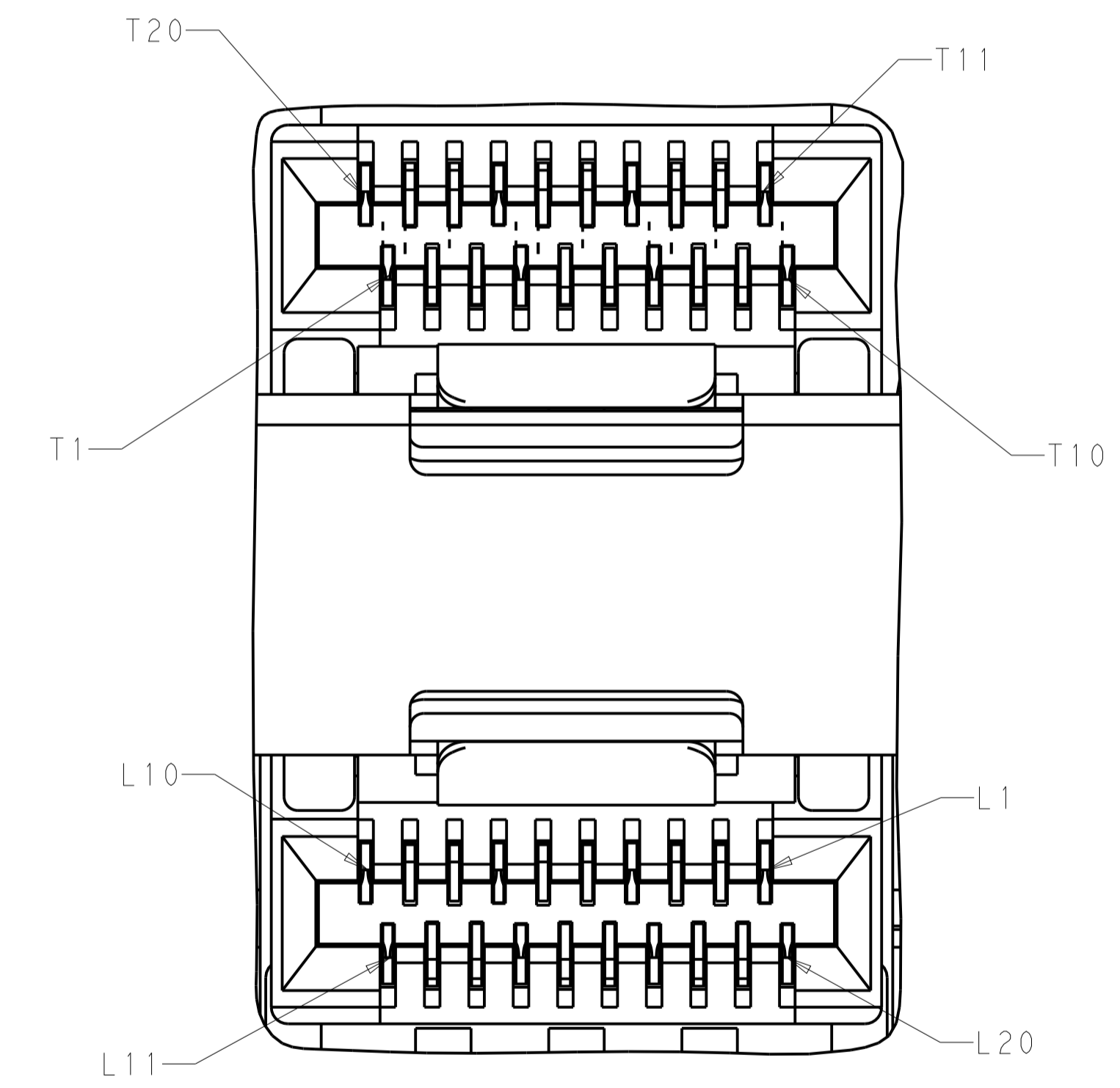
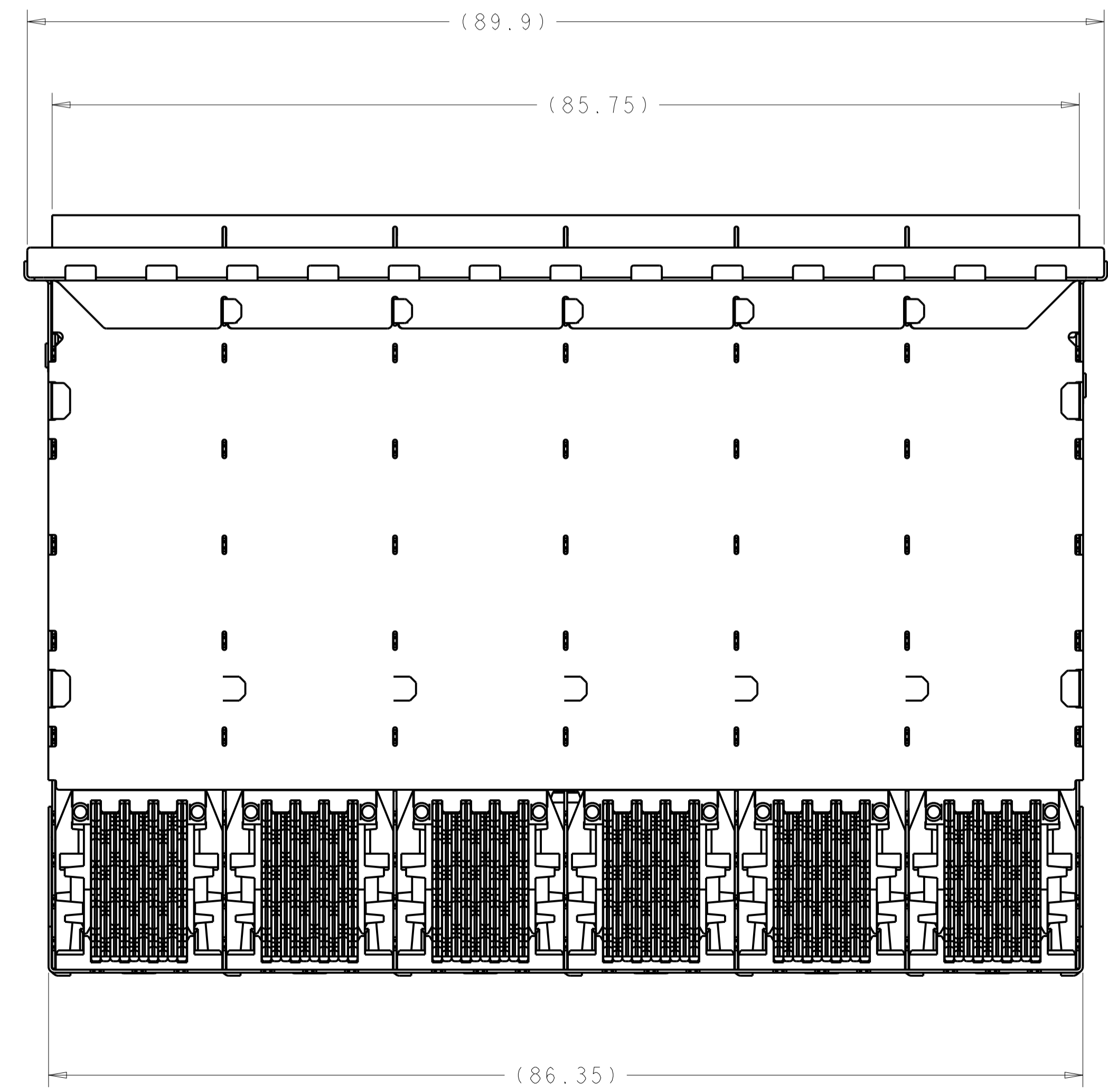
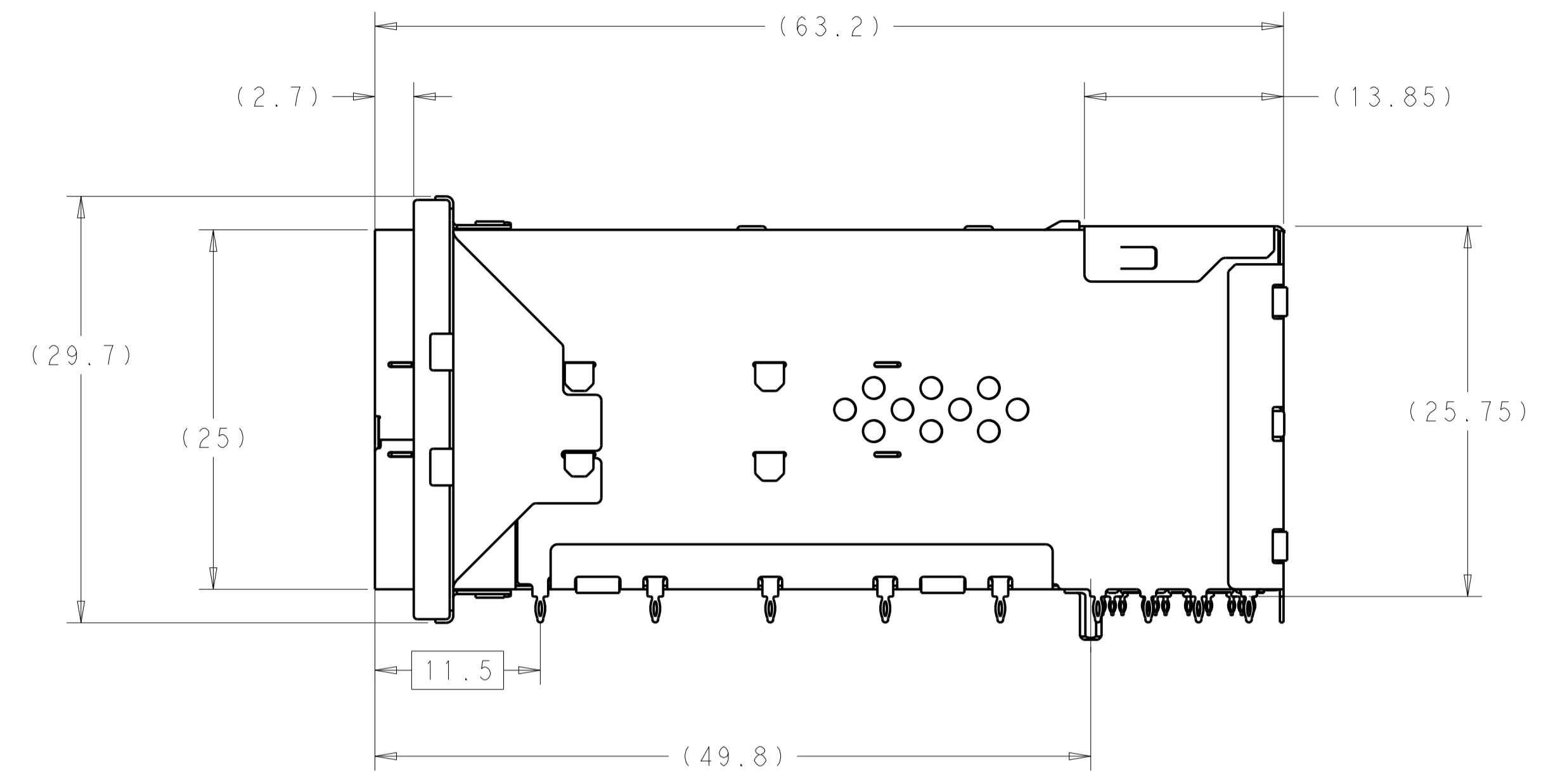
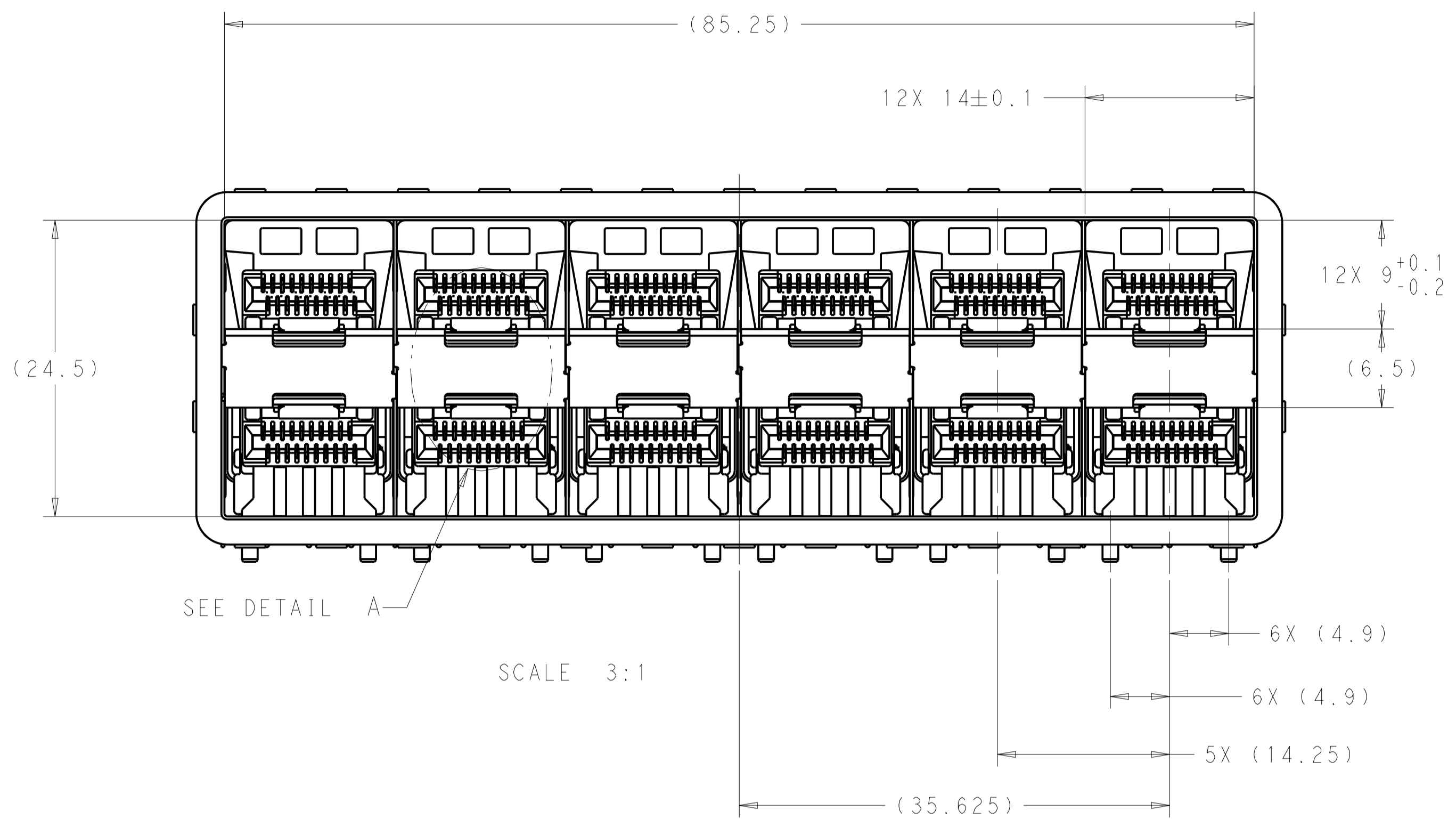


2347721-5 THRU 1-2347721-2, 1-2347721-9, 2-2347721-0, 2-2347721-1
 EMI SPRINGS ONLY
 SCALE 4:1



THIS DRAWING IS A CONTROLLED DOCUMENT.		DWN: J. WANG 26FEB2019	TE Connectivity
DIMENSIONS: mm		CHK: S. HAN 26FEB2019	
TOLERANCES UNLESS OTHERWISE SPECIFIED:		APVD: S. HAN 26FEB2019	NAME: RECEPTACLE ASSEMBLY, 2X6, STACKED, SFP56
0 PLC	±0.25	PRODUCT SPEC	SIZE: CAGE CODE DRAWING NO
1 PLC	±0.25	108-2481	RESTRICTED TO
2 PLC	±0.25	APPLICATION SPEC	A100779C=2347721
3 PLC	±0.25	114-13319	SCALE 1:1 SHEET 4 OF 7 REV B
4 PLC	±0.25	WEIGHT	
ANGLES	±4°	CUSTOMER DRAWING	
MATERIAL: SEE NOTES	FINISH: SEE NOTES		

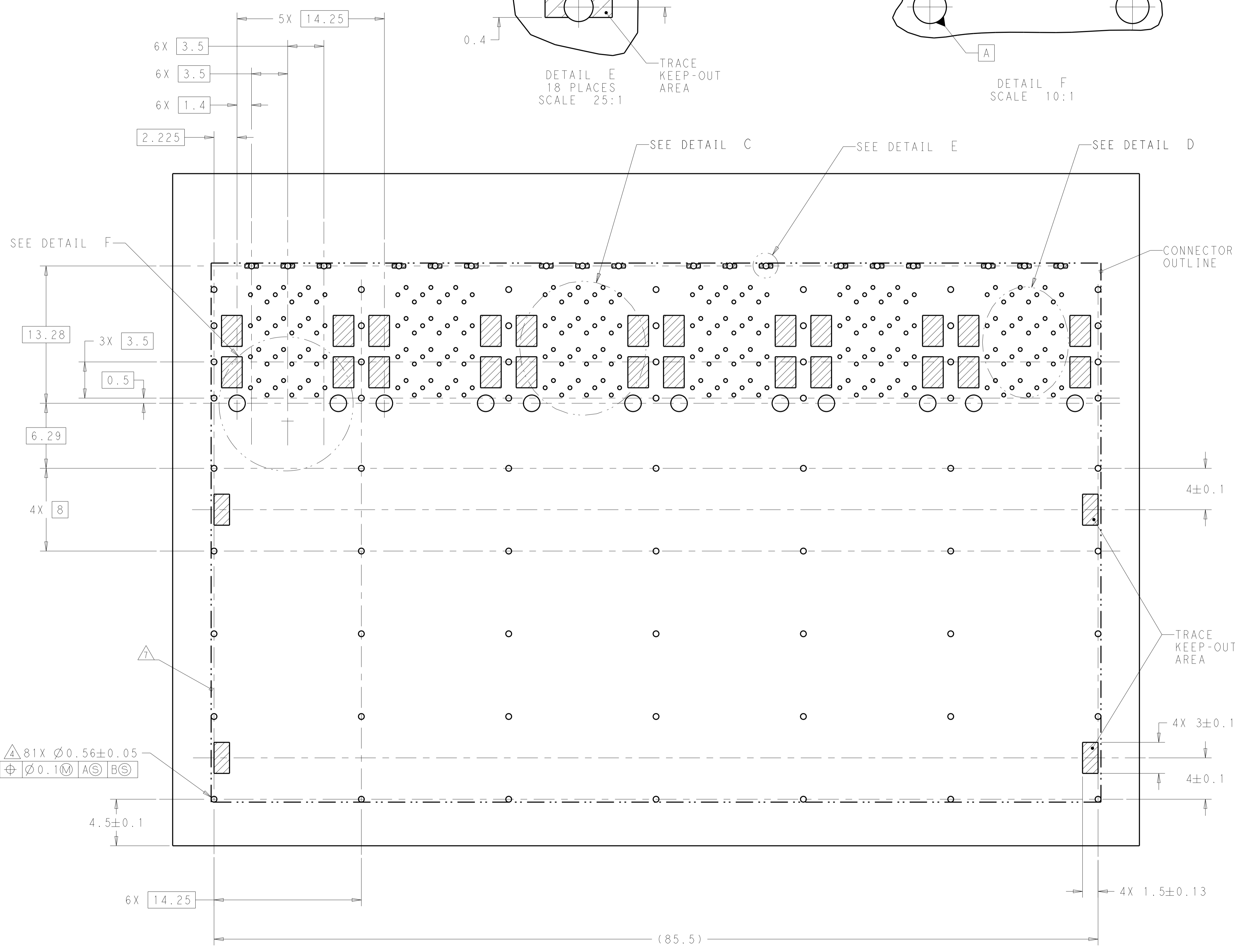
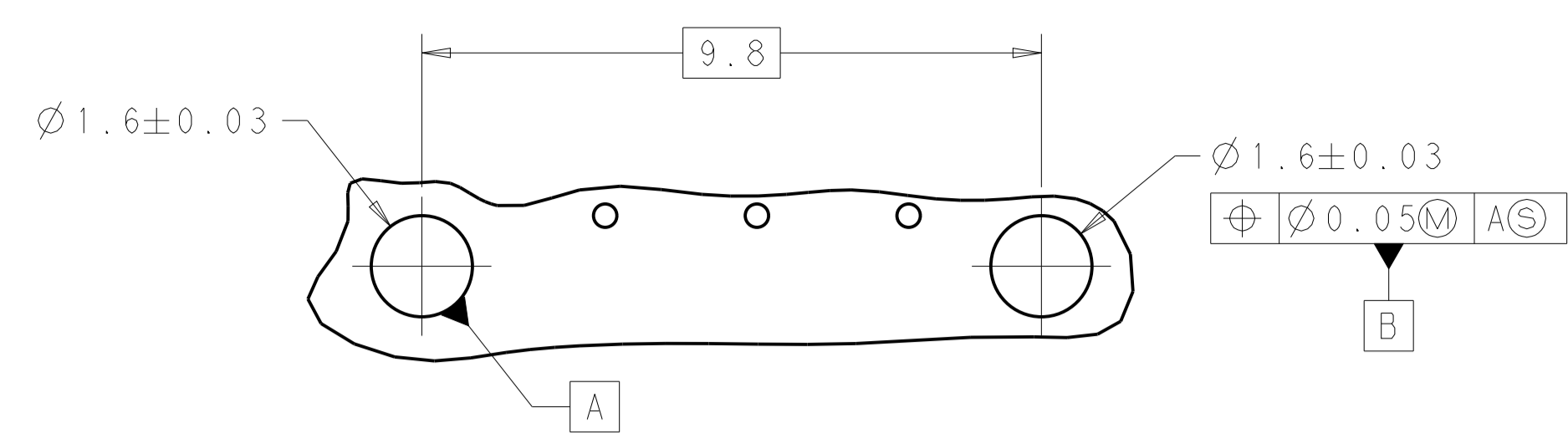
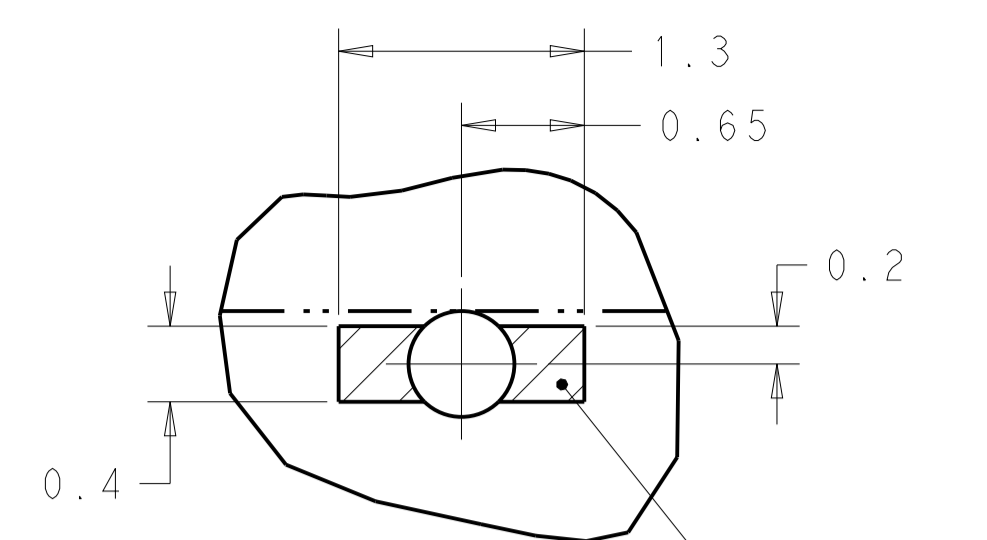
LOC		DIST		REVISIONS			
GP	00	P	LTN	DESCRIPTION	DATE	DWN	APVD
		-		SEE SHEET 1	-	-	-



DETAIL A
 6X INDIVIDUALLY
 SCALE 10:1

THIS DRAWING IS A CONTROLLED DOCUMENT.		DWN: J. WANG 26FEB2019	TE Connectivity
DIMENSIONS: mm		CHK: S. HAN 26FEB2019	
TOLERANCES UNLESS OTHERWISE SPECIFIED:		APVD: S. HAN 26FEB2019	NAME: RECEPTACLE ASSEMBLY, 2X6, STACKED, SFP56
0 PLC ±0.25 1 PLC ±0.25 2 PLC ±0.25 3 PLC ±0.25 4 PLC ±0.25 ANGLES ±°		PRODUCT SPEC: 108-2481	SIZE: A1
MATERIAL: SEE NOTES		FINISH: SEE NOTES	APPLICATION SPEC: 114-13319
		WEIGHT: -	RESTRICTED TO: -
		CUSTOMER DRAWING	SCALE: 1:1 SHEET 5 OF 7 REV B

LOC	DIST	REVISIONS			
GP	00	REV	DATE	BY	APPV
		1	SEE SHEET 1		



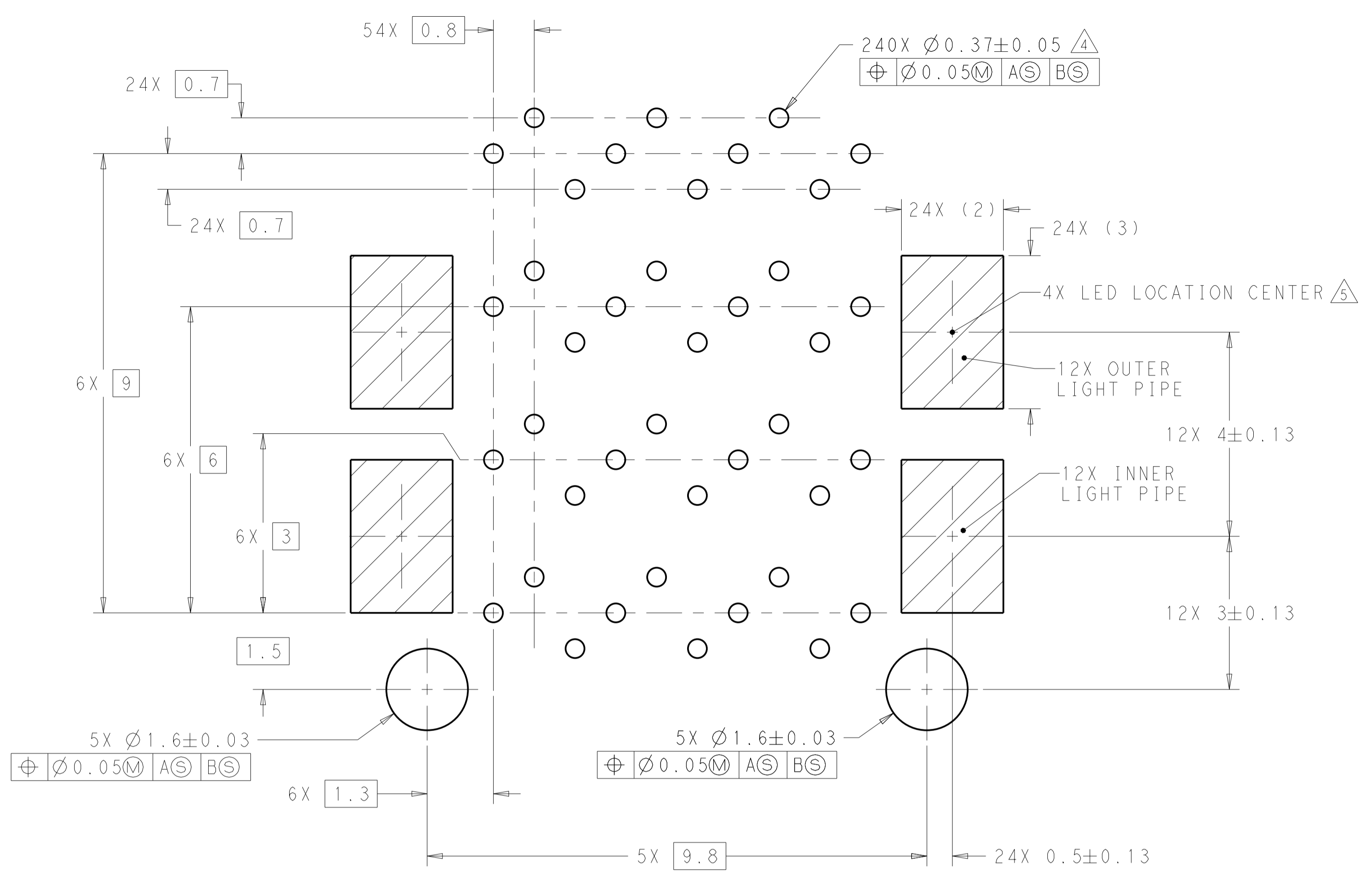
4 81X $\varnothing 0.56 \pm 0.05$
 $\varnothing 0.1$ M A S B S

RECOMMENDED PCB LAYOUT
 SCALE 5:1

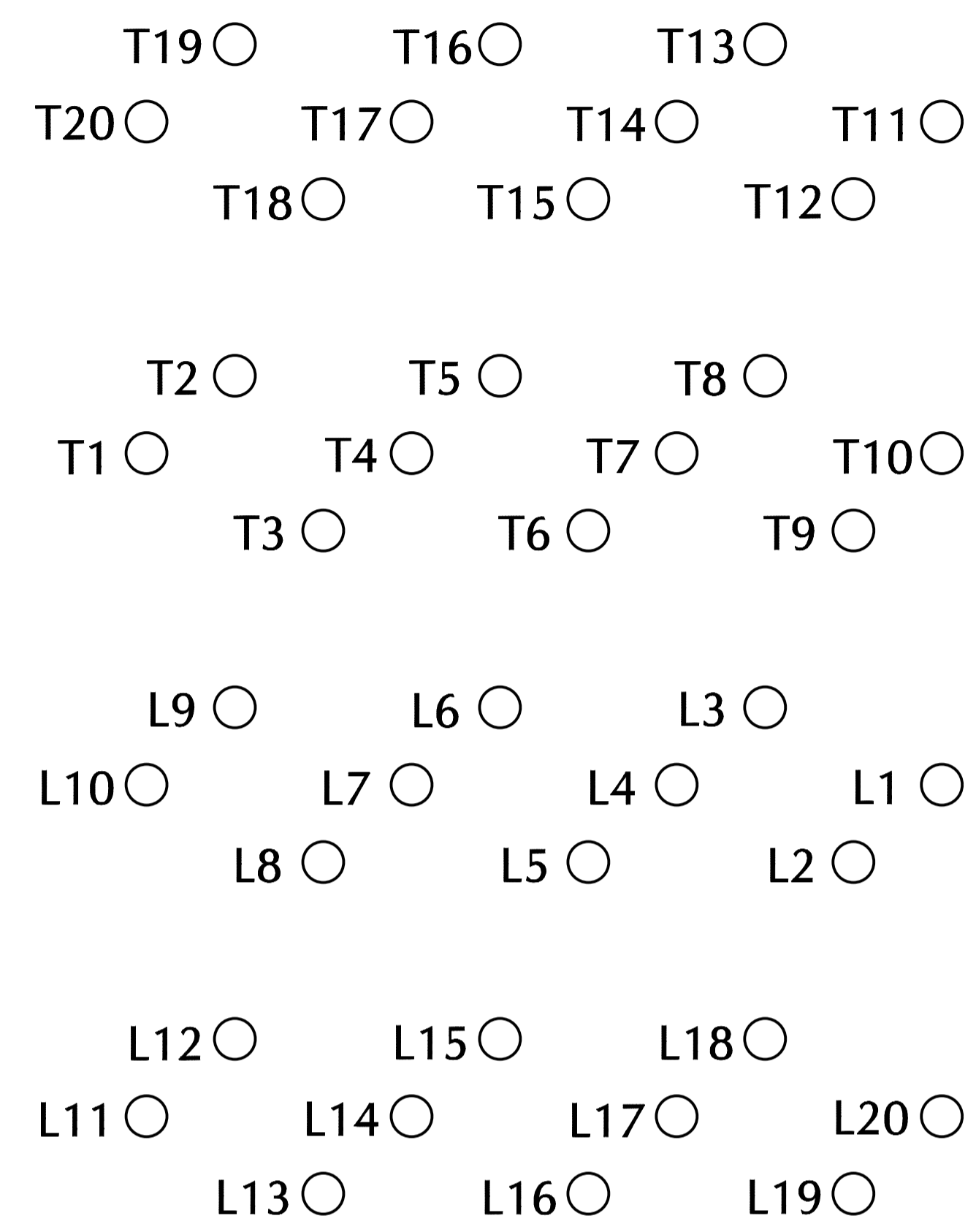
THIS DRAWING IS A CONTROLLED DOCUMENT.		OWN J. WANG 26FEB2019	TE Connectivity
DIMENSIONS: mm		CHK S. HAN 26FEB2019	
TOLERANCES UNLESS OTHERWISE SPECIFIED:		APVD S. HAN 26FEB2019	NAME
0 PLC ± 0.25 1 PLC ± 0.25 2 PLC ± 0.25 3 PLC ± 0.25 4 PLC ± 0.25 ANGLES $\pm 0.4^\circ$		PRODUCT SPEC 108-2481	RECEPTACLE ASSEMBLY, 2X6, STACKED, SFP56
MATERIAL SEE NOTES		APPLICATION SPEC 114-13319	RESTRICTED TO
FINISH SEE NOTES		WEIGHT	SIZE CAGE CODE DRAWING NO. A100779C=2347721
		CUSTOMER DRAWING	SCALE 1:1 SHEET 6 OF 7 REV B

LOC	DIST	REV	DATE	BY	APPV
GP	00				

REVISIONS			
NO.	DESCRIPTION	DATE	BY
-	SEE SHEET 1	-	-

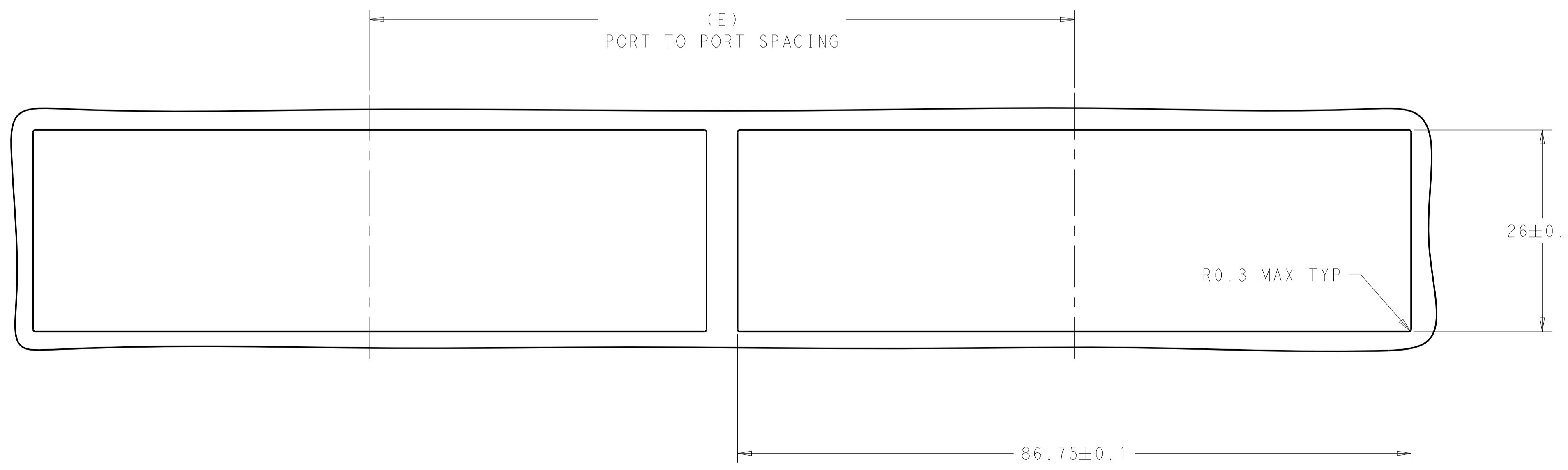


DETAIL C
 RECOMMENDED PIN AND LIGHT PIPE LAYOUT
 SCALE 15:1

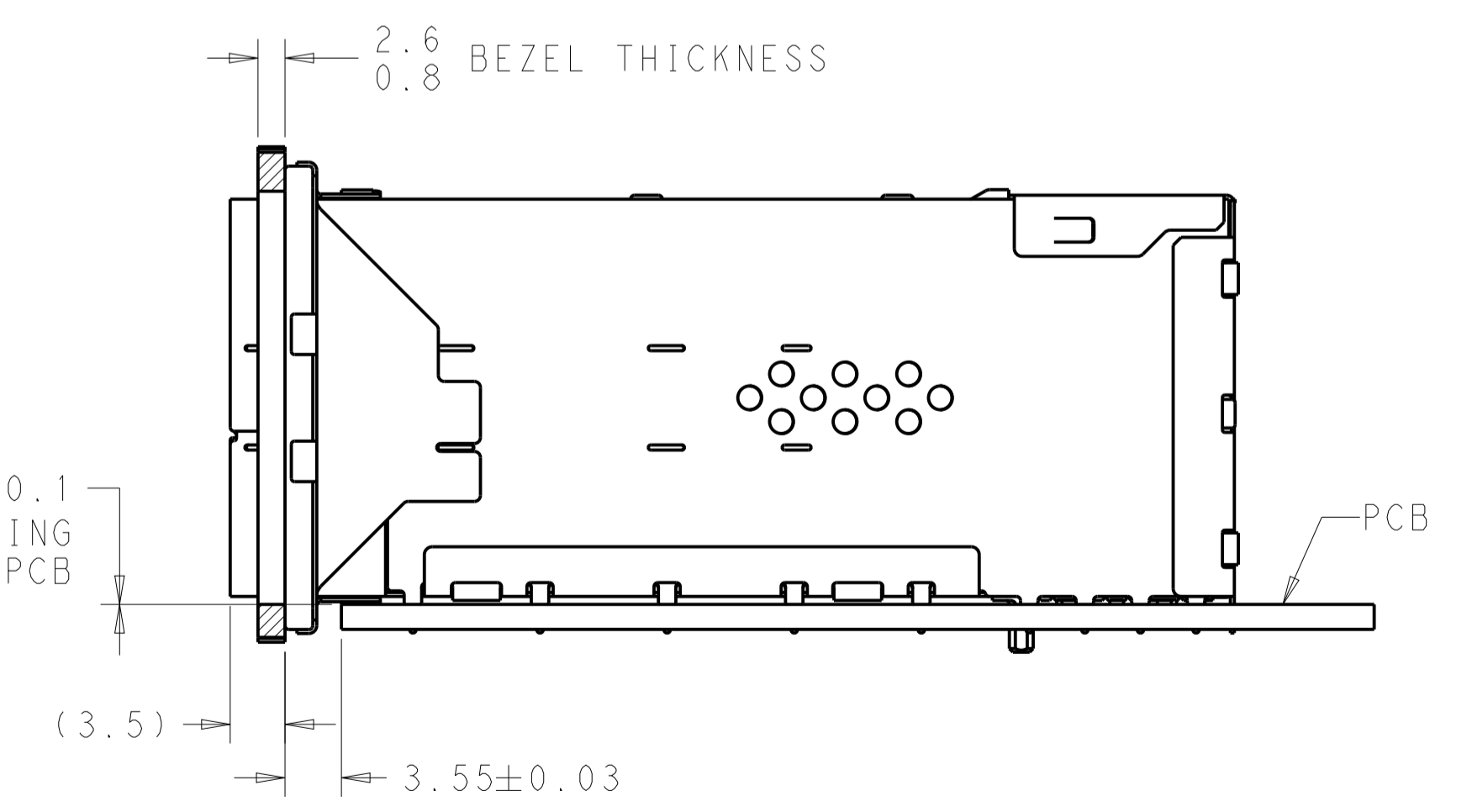


PIN MAP LEGEND	
PIN NUMBER	FUNCTION
L1/T1	VEET
L2/T2	TX-FAULT
L3/T3	TX-DISABLE
L4/T4	SDA
L5/T5	SCL
L6/T6	MOD_ABS
L7/T7	RSO
L8/T8	RX_LOS
L9/T9	RS1
L10/T10	VEER
L11/T11	VEER
L12/T12	RD-
L13/T13	RD+
L14/T14	VEER
L15/T15	VCCR
L16/T16	VCCT
L17/T17	VEET
L18/T18	TD+
L19/T19	TD-
L20/T20	VEET

DETAIL D
 PIN MAP
 6 PLACES
 SCALE 20:1



RECOMMENDED BEZEL CUT-OUT DETAIL
 SCALE 5:2



RECOMMENDED BEZEL LOCATION WITH EMI GASKET
 SCALE 5:2

THIS DRAWING IS A CONTROLLED DOCUMENT.		OWN: J. WANG 26FEB2019	TE Connectivity
DIMENSIONS: mm		CHK: S. HAN 26FEB2019	
TOLERANCES UNLESS OTHERWISE SPECIFIED:		APPV: S. HAN 26FEB2019	NAME: RECEPTACLE ASSEMBLY, 2X6, STACKED, SFP56
0 PLC ±0.25 1 PLC ±0.25 2 PLC ±0.25 3 PLC ±0.25 4 PLC ±0.25 ANGLES ±°		PRODUCT SPEC: 108-2481	
MATERIAL: SEE NOTES		FINISH: SEE NOTES	RESTRICTED TO: -
CUSTOMER DRAWING		SCALE: 1:1	SHEET 7 OF 7 REV B