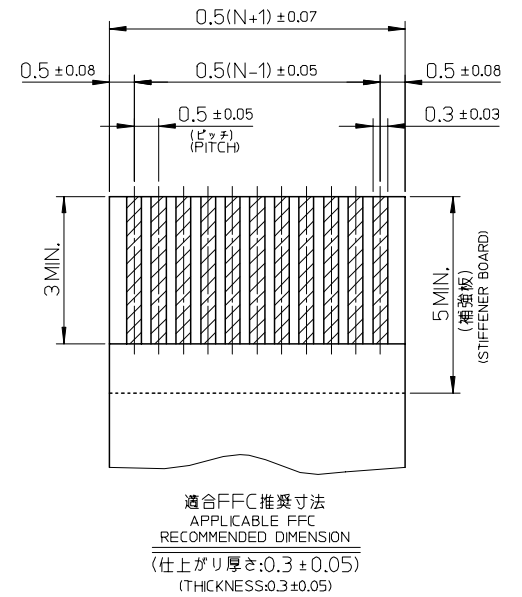
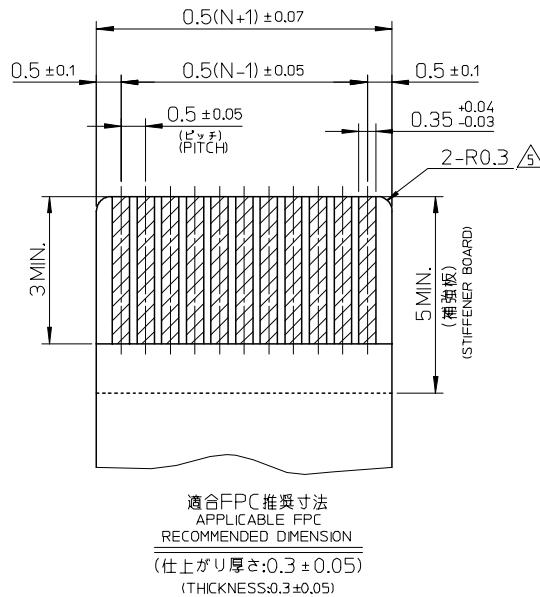
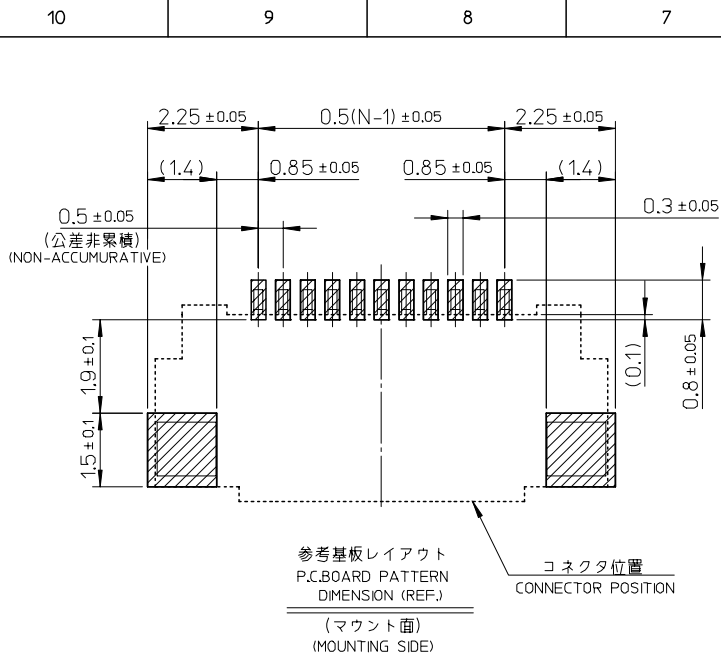


501896-6511	65
製品番号 MATERIAL NO.	極数 Ckt

501896-**x11	MODEL NO.
DESIGN UNITS METRIC	THIRD ANGLE PROJECTION

REVISED EC NO: J2007-1362 DRWN:Y.TAKAYASU 2006/11/09 CHKD:H.HIRATA 2006/11/09 APPR:H.HIRATA 2006/11/10	GENERAL TOLERANCES (UNLESS SPECIFIED)		DIMENSION STYLE MM ONLY	SCALE 5:1	DESIGN UNITS METRIC	TITLE 0.5 FPC CONN ZIF E/O HSG ASSY (HGT=1.3) -LEAD FREE-
	10 UNDER	±0.2	DRAWN BY Y.TAKAYASU	DATE 2005/08/01	MOLEX INCORPORATED	
	10 OVER 30 UNDER	±0.25	CHECKED BY H.HIRATA	DATE 2005/08/01		
	30 OVER	±0.3	APPROVED BY H.HIRATA	DATE 2005/08/01		
ANGULAR	±3 °	MATERIAL NO.	DOCUMENT NO.	SHEET NO. 1 OF 2		
DRAFT WHERE APPLICABLE MUST REMAIN WITHIN DIMENSIONS		SEE CHART		SD-501896-001		
THIS DRAWING CONTAINS INFORMATION THAT IS PROPRIETARY TO MOLEX INCORPORATED AND SHOULD NOT BE USED WITHOUT WRITTEN PERMISSION						



注記 NOTES

1. 使用材料 MATERIAL

- ハウジング : 液晶ポリマー ガラス充填, UL94-V0(ベージュ)
HOUSING LIQUID CRYSTAL POLYMER GLASS FILLED, UL94-V0(BEIGE)
- アクチュエータ : ポリアミド9T ガラス充填, UL94-V0(黒)
ACTUATOR POLYAMIDE 9T GLASS FILLED, UL94-V0(BLACK)
- ターミナル : リン青銅(t=0.18)
TERMINAL PHOSPHOR BRONZE
- 金具 : リン青銅(t=0.15)
FITTING NAIL PHOSPHOR BRONZE

△ パターン剥離止め用金具
FITTING NAIL FOR PREVENTION OF PEELING OF PCB PATTERN.

△ R0.3は、FPC導体部にかからないこと。
R0.3 MUST NOT BE OVERLAPPED TO PATTERN OF FPC.

6. N : 極数 N : CIRCUIT.

2. めっき仕様 PLATING

- ターミナル TERMINAL
ニッケル下地金めっき(Niバリア)
GOLD(AU) OVER NICKEL(NI) PLATING. Ni BARRIER.

- 金具 FITTING NAIL
ニッケル下地金めっき
TIN(Sn) OVER NICKEL(Ni) PLATING.

3. エンボスタープ梱包時は、アクチュエータが閉じた状態とする。
IN THE PACKAGE, ACTUATOR OF PART 501896-**11 SHOULD BE CLOSED.

FPC/FFC について:

打ち抜き方向は導体側から補強板側を推奨します。
導体部については軟銅箔35μmまたは50μmを推奨します。

ABOUT FPC/FFC

RECOMMENDED PUNCHER DIRECTION : FROM CONDUCTOR SIDE TO STIFFENER FILM SIDE.
RECOMMENDED CONDUCTOR THICKNESS OF SOFT COPPER FOIL : 35 μm OR 50 μm.

FPC について:

補強フィルム材質はポリイミドを推奨します。
接着剤は熱硬化接着剤を推奨します。ベースフィルムは25μmを推奨します。
尚、接着剤の接点部への付着は導通不良の原因になりますので、染み出しが無い様、お願い致します。

ABOUT FPC

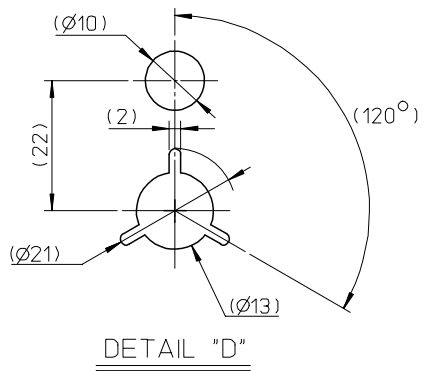
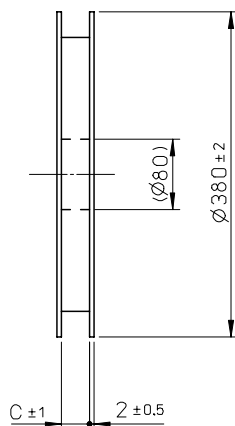
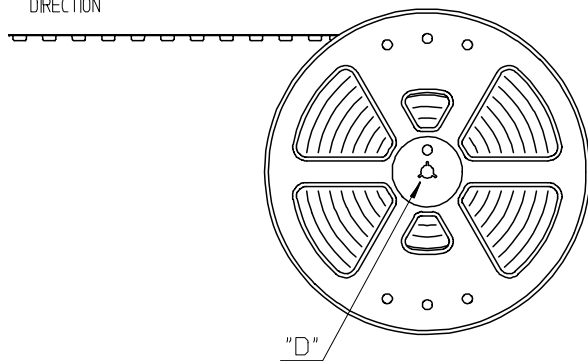
RECOMMENDED MATERIAL/THICKNESS.
STIFFENER FILM : POLYIMIDE
BONDING AGENT : THERMOSETTING BONDING AGENT
BASE FILM THICKNESS : 25μm
PLEASE PUT APPROPRIATE AMOUNT OF ADHESIVE ON THE CONTACT AREA BECAUSE THE EXTRA ADHESIVE MAY CAUSE THE DEFECT IN ELECTRICAL CONTINUITY.

REVISED		EC NO: J2007-1362		DRWN:Y.TAKAYASU 2006/11/09		CHKD:H.HIRATA 2006/11/09		APPR:H.HIRATA 2006/11/10		DESCRIPTION	
GENERAL TOLERANCES (UNLESS SPECIFIED)				DIMENSION STYLE				SCALE		DESIGN UNITS	
10 UNDER ± 0.2				MM ONLY				---		METRIC	
10 OVER 30 UNDER ± 0.25				DRAWN BY DATE				TITLE		THIRD ANGLE PROJECTION	
30 OVER ± 0.3				Y.TAKAYASU 2005/08/01				0.5 FPC CONN ZIF E/0 HSG ASSY (HGT=1.3) -LEAD FREE-			
ANGULAR ± 3 °				CHECKED BY DATE				MOLEX INCORPORATED			
DRAFT WHERE APPLICABLE MUST REMAIN WITHIN DIMENSIONS				H.HIRATA 2005/08/01				SD-501896-001		SHEET NO. 2 OF 2	
				APPROVED BY DATE				DOCUMENT NO.			
				H.HIRATA 2005/08/01				SEE SHEET 1 OF 2			
				MATERIAL NO.							
				SIZE							
				A3							
				THIS DRAWING CONTAINS INFORMATION THAT IS PROPRIETARY TO MOLEX INCORPORATED AND SHOULD NOT BE USED WITHOUT WRITTEN PERMISSION							

10 9 8 7 6 5 4 3 2 1

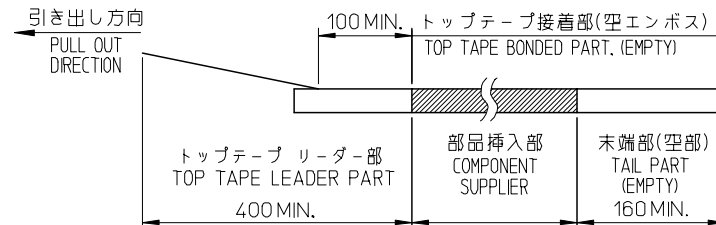
F

引き出し方向
PULL OUT
DIRECTION



NOTES

- 製品詳細寸法については図面 SD-501896-001 を参照下さい。
FOR DIMENSIONS OF PRODUCT, REFER TO SD-501896-001.
- 梱包数量：3000個/リール
NUMBER OF CONNECTORS：3000 PCS/REEL
- リードテープ長さ LEAD TAPE LENGTH



4. 材料 MATERIAL

キャリアテープ：ポリプロピレン
CARRIER TAPE：POLYPROPYLENE
トップテープ：ポリエチレンテレフタレート、ポリエチレン
TOPTAPE：POLYETHYLENE TEREPHTHALATE, POLYETHYLENE
リール：ポリスチレン<リサイクル材を含む>
REEL：POLYSTYRENE<RECYCLE MATERIAL CONTAINED>

E

D

C

B

A

F

E

D

C

B

A

501896-***91 MODEL NO.

REVISED EC NO: J2007-1362 DRWN:Y.TAKAYASU 2006/11/09 CHKD:H.HIRATA 2006/11/09 APPR:H.HIRATA 2006/11/10	GENERAL TOLERANCES (UNLESS SPECIFIED)		DIMENSION STYLE MM ONLY		SCALE ---	DESIGN UNITS METRIC	THIRD ANGLE PROJECTION	
	10 UNDER	±0.2	DRAWN BY DATE Y.TAKAYASU 2005/08/08		TITLE 0.5 FPC CONN ZIF E/O EMBSTP PKG (HGT=1.3MM) -LEAD FREE-			
	10 ⁰ OVER 30 UNDER	±0.25	CHECKED BY DATE H.HIRATA 2005/08/08		MOLEX INCORPORATED			
	30 ⁰ OVER	±0.3	APPROVED BY DATE H.HIRATA 2005/08/08		DOCUMENT NO. SD-501896-002		SHEET NO. 1 OF 2	
	ANGULAR	±3 °	MATERIAL NO.		SEE SHEET 2 OF 2			
DRAFT WHERE APPLICABLE MUST REMAIN WITHIN DIMENSIONS		SIZE A3		THIS DRAWING CONTAINS INFORMATION THAT IS PROPRIETARY TO MOLEX INCORPORATED AND SHOULD NOT BE USED WITHOUT WRITTEN PERMISSION				

10 9 8 7 6 5 4 3 2 1

F

E

D

C

B

A

F

E

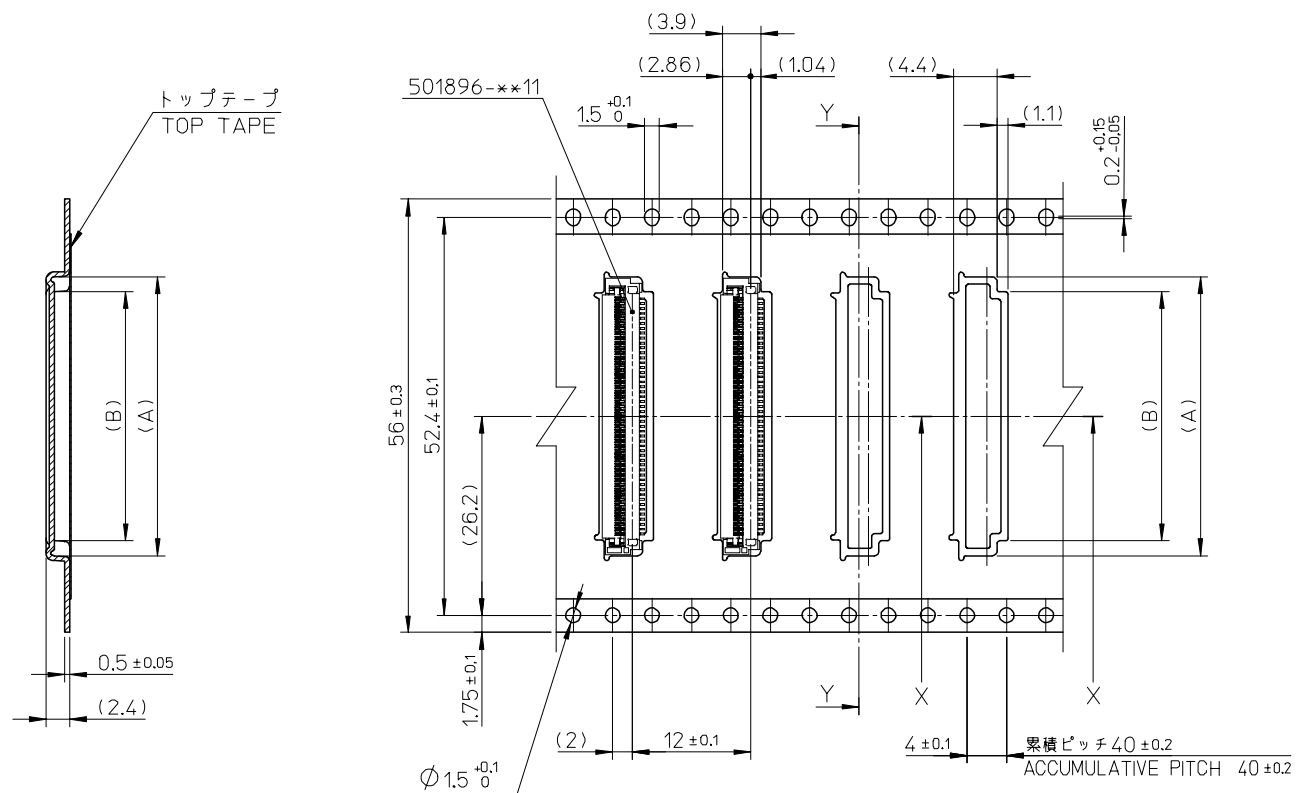
D

C

B

A

引き出し方向
PULL OUT DIRECTION



56	57.5	33.39	36.4	501896-6591	65
キャリアテープ幅 CARRIER TAPE WIDTH	C	(B)	(A)	製品番号 MATERIAL No.	極数 Ckt

REVISED EC NO: J2007-1362 DRWN: Y.TAKAYASU 2006/11/09 CHKD: H.HIRATA 2006/11/09 APPR: H.HIRATA 2006/11/10	GENERAL TOLERANCES (UNLESS SPECIFIED)		DIMENSION STYLE	SCALE	DESIGN UNITS	THIRD ANGLE PROJECTION	
	10 UNDER ± 0.2		MM ONLY	---	METRIC	☉ □	
	10 OVER 30 UNDER ± 0.25		DRAWN BY	DATE	TITLE		
	30 OVER ± 0.3		Y. TAKAYASU	2005/08/08	0.5 FPC CONN ZIF E/O EMBSTP PKG (HGT=1.3MM) -LEAD FREE-		
ANGULAR ± 3 °		CHECKED BY	DATE	MOLEX INCORPORATED			
DRAFT WHERE APPLICABLE MUST REMAIN WITHIN DIMENSIONS		H. HIRATA	2005/08/08	SD-501896-002			
		APPROVED BY	DATE	SEE CHART		SHEET NO.	
		H. HIRATA	2005/08/08	THIS DRAWING CONTAINS INFORMATION THAT IS PROPRIETARY TO MOLEX INCORPORATED AND SHOULD NOT BE USED WITHOUT WRITTEN PERMISSION		2 OF 2	
		MATERIAL NO.	DOCUMENT NO.				
		A3					