

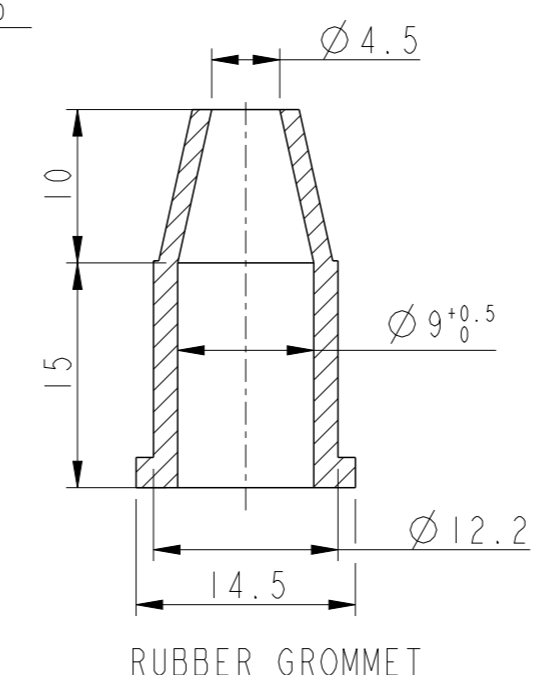
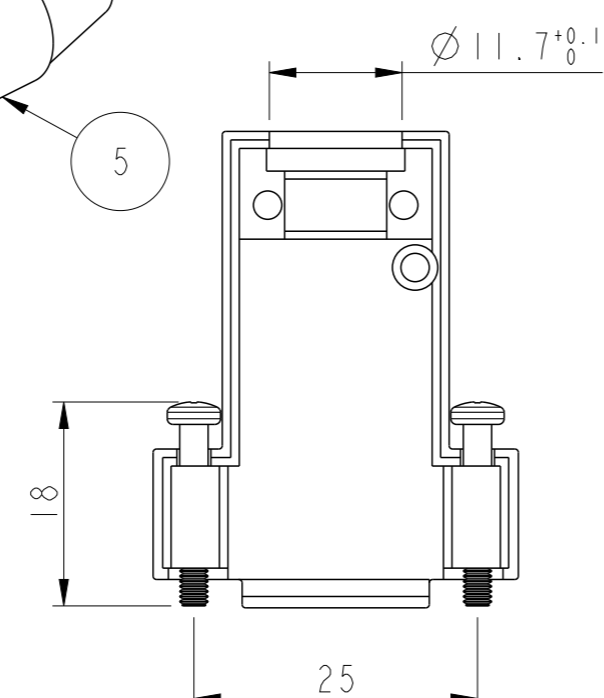
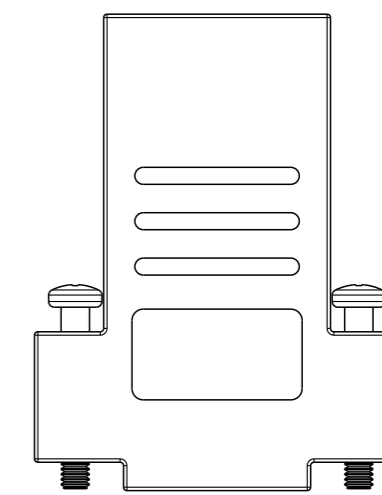
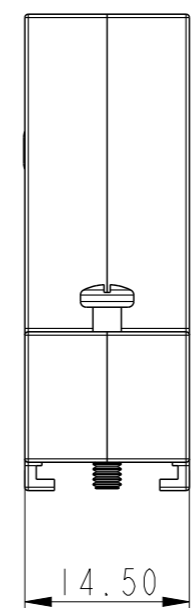
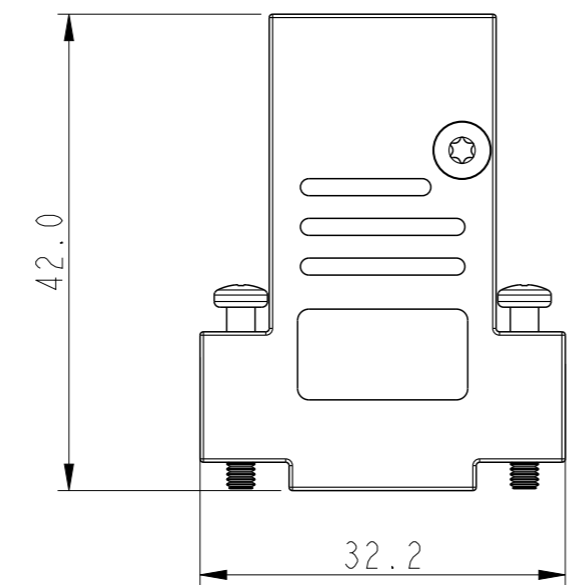
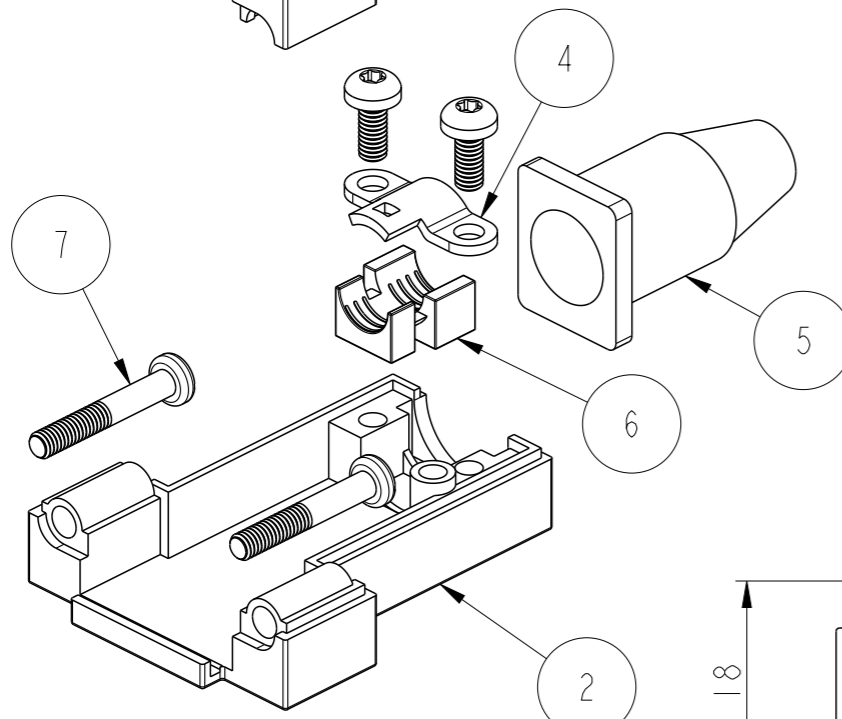
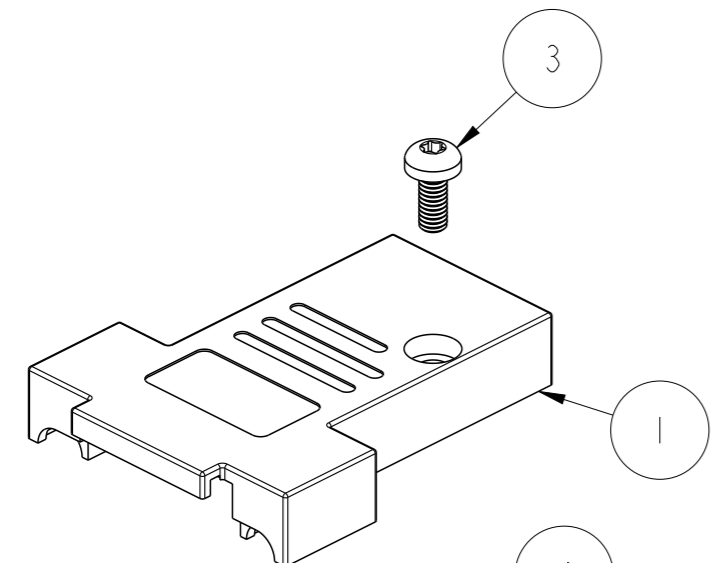
|                 |      |           |
|-----------------|------|-----------|
| PART NUMBER     | PACK | HOOD SIZE |
| 8655DMETIBI3KLF | KIT  | 09        |

A

B

C

D



RUBBER GROMMET

NOTES: (FOR EVERY SIZES)  
 1- OPERATING TEMPERATURE: -40°C TO +120°C  
 2- INDIVIDUAL KITS SEALED IN PLASTIC COVER IN UNASSEMBLED FORM.  
 BOM AS SHOWN IN TABLE

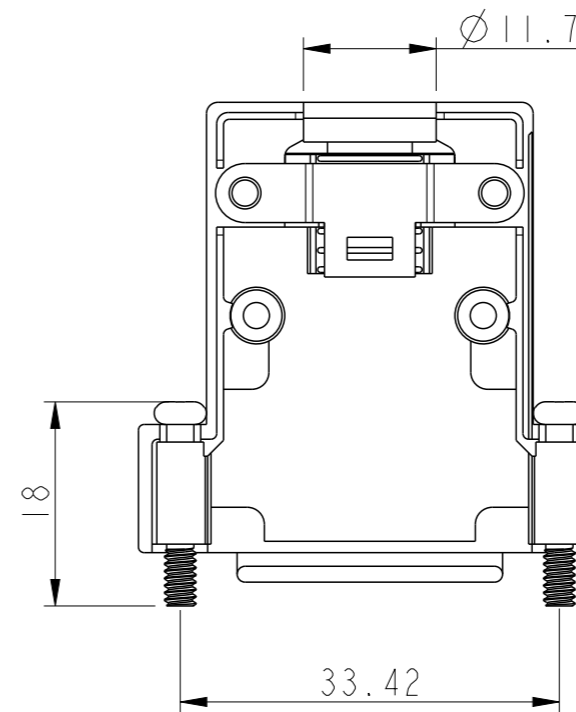
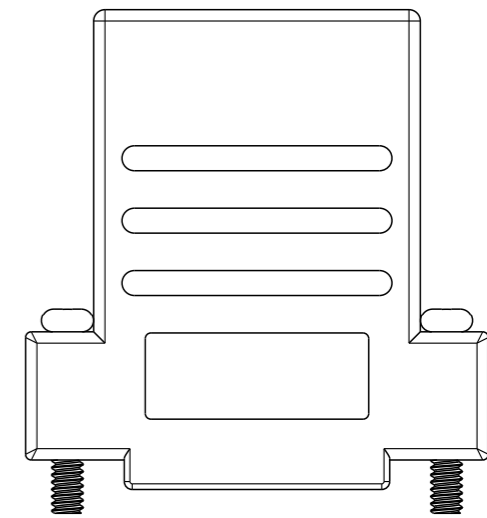
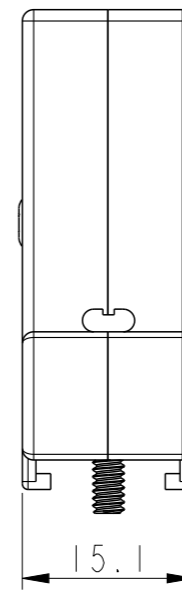
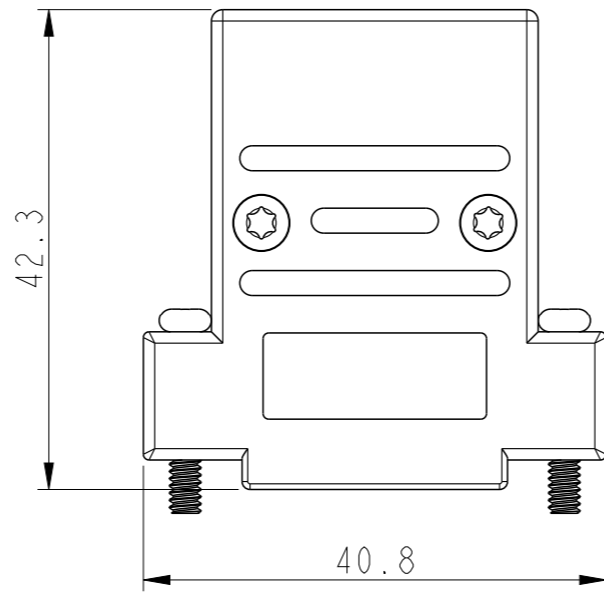
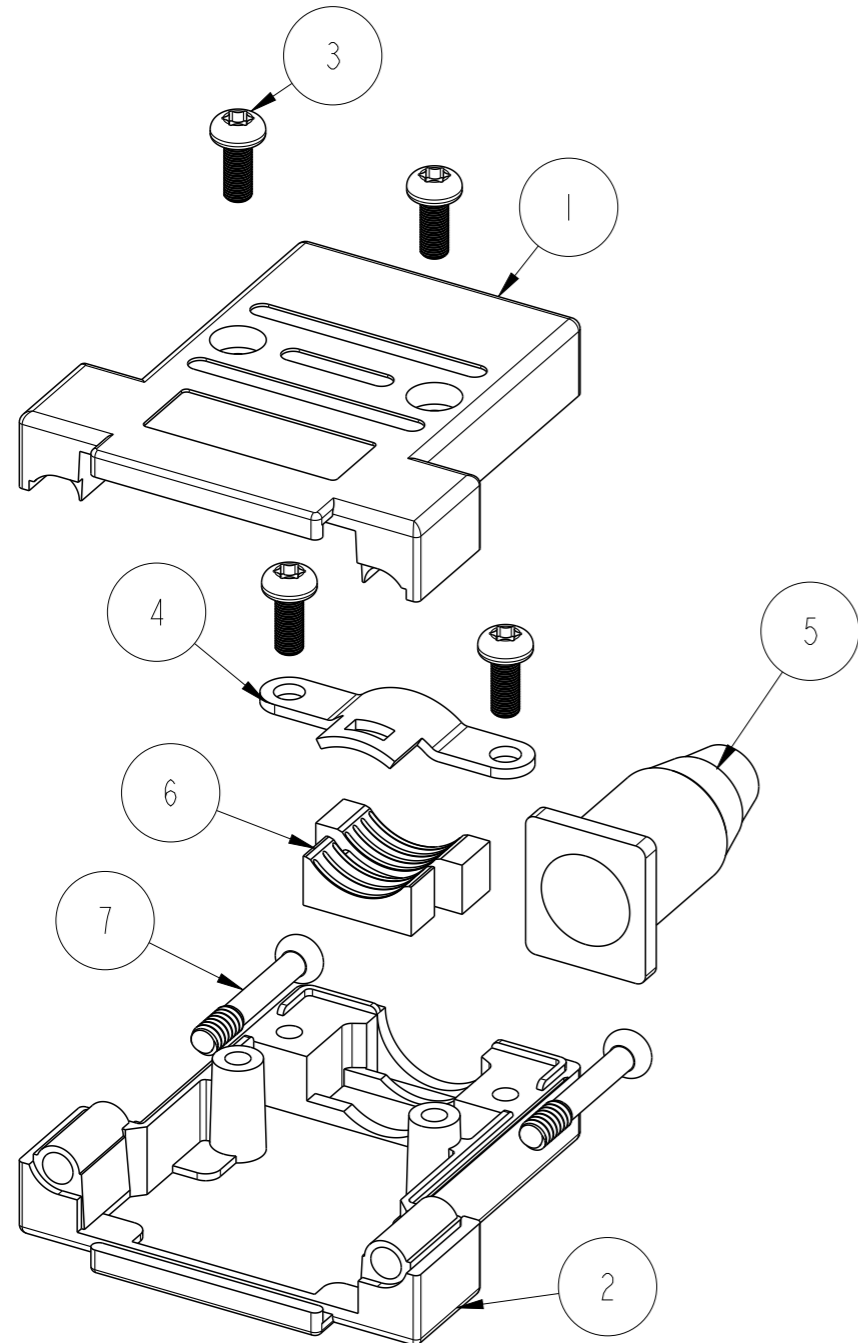
RoHS INFORMATION:  
 - THE LF PRODUCT MEETS EUROPEAN UNION DIRECTIVES AND OTHER COUNTRY REGULATIONS AS DESCRIBED IN GS+22-009  
 - THE PRODUCT IS NOT INTENDED TO BE EXPOSED TO A MANUFACTURING SOLDER PROCESS

| ITEM NO. | QTY. | PART DESCRIPTION                  |
|----------|------|-----------------------------------|
| 1        | 1    | DTSL09-UPPER COVER                |
| 2        | 1    | DTSL09-LOWER COVER                |
| 3        | 3    | M2.6x6 SCREW                      |
| 4        | 1    | CABLE CLAMP                       |
| 5        | 1    | RUBBER GROMMET                    |
| 6        | 1    | PLASTIC INSERT DTSL09 -TOP & SIDE |
| 7        | 2    | UNC4-40x18 JACKSCREW              |

|                                       |                     |      |                |            |                 |    |        |                 |           |          |                        |
|---------------------------------------|---------------------|------|----------------|------------|-----------------|----|--------|-----------------|-----------|----------|------------------------|
| spec ref                              | -                   | dr   | Dipu Joseph    | 2020/09/11 | projection      | mm | size   | A3              | scale     | 3:2      |                        |
| tolerance std                         | ISO 406<br>ISO 1101 | eng  | Detouillon, Da | 2022/10/12 |                 |    | ecn no | ELX-F46128-1    | rel level | Released |                        |
| TOLERANCES UNLESS OTHERWISE SPECIFIED |                     | chr  | -              | -          |                 |    |        |                 |           |          | product family         |
| surface                               | linear              | 0.X  | ±0.3           |            | DSUB METAL HOOD |    | dwg no | 8655DMxxIBI3KLF | rev       | C        |                        |
|                                       |                     | 0.XX | ±0.10          |            | cat. no.        | -  |        |                 |           |          | Product - Customer Drw |
|                                       | angular             | 0°   | ±2°            |            | sheet 1 of 4    |    |        |                 |           |          |                        |

Creo File:ELX-WC-A3C.REV F.2020-12-21

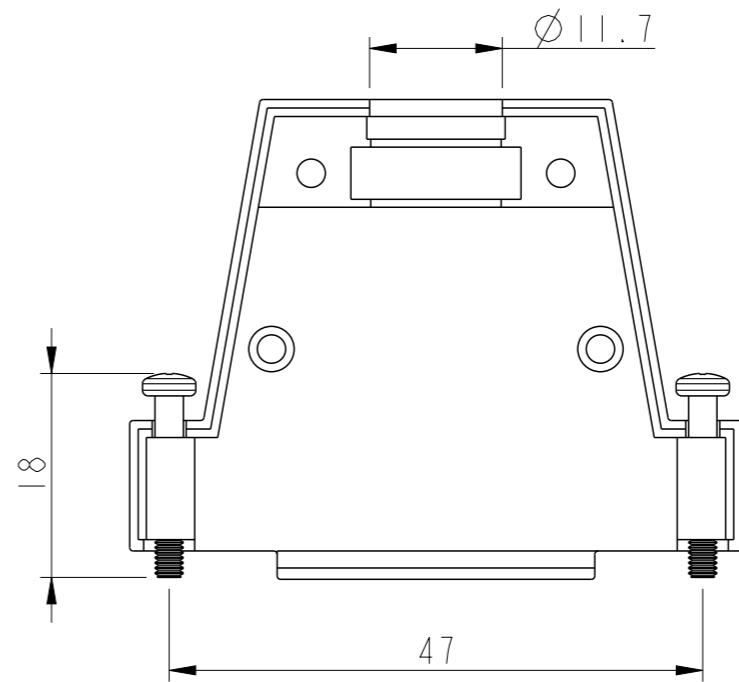
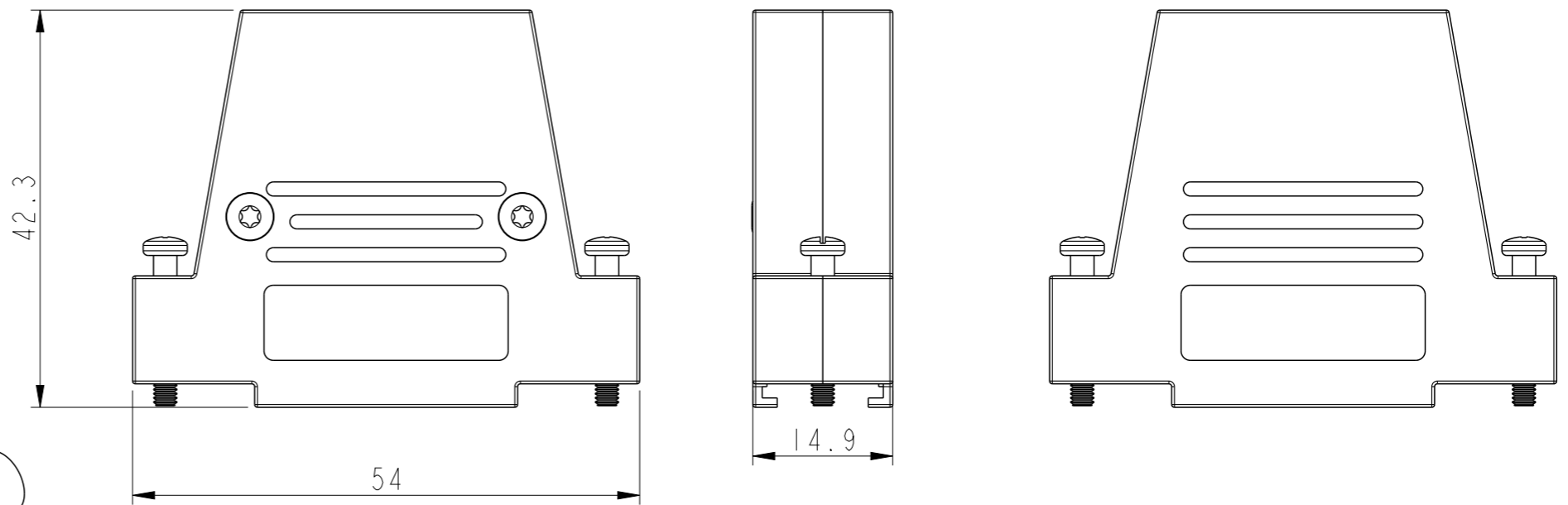
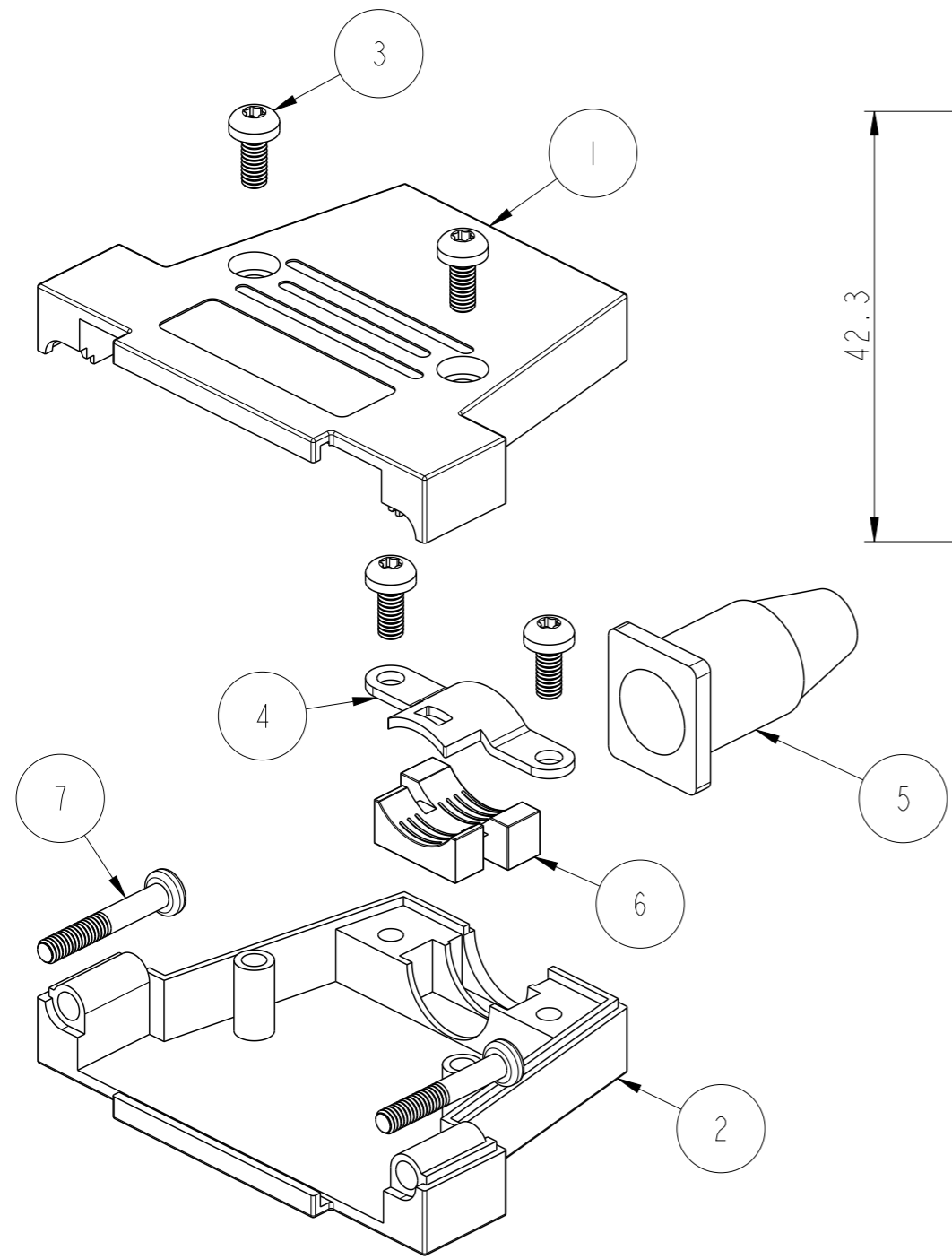
|                 |      |           |
|-----------------|------|-----------|
| PART NUMBER     | PACK | HOOD SIZE |
| 8655DMATIBI3KLF | KIT  | 15        |



| ITEM NO. | QTY. | PART DESCRIPTION          |
|----------|------|---------------------------|
| 1        | 1    | DTSL15-UPPER COVER        |
| 2        | 1    | DTSL15-LOWER COVER        |
| 3        | 4    | M2.6x8 SCREW              |
| 4        | 1    | CABLE CLAMP               |
| 5        | 1    | RUBBER GROMMET            |
| 6        | 1    | PLASTIC INSERT DTSL 15/37 |
| 7        | 2    | UNC4-40x18 JACKSCREW      |

|                                       |                     |      |                |              |                |                 |           |                 |       |                        |              |
|---------------------------------------|---------------------|------|----------------|--------------|----------------|-----------------|-----------|-----------------|-------|------------------------|--------------|
| spec ref                              | -                   | dr   | Dipu Joseph    | 2020/09/11   | projection     | mm              | size      | A3              | scale | 3:2                    |              |
| tolerance std                         | ISO 406<br>ISO 1101 | eng  | Detouillon, Da | 2022/10/12   |                |                 | ecn no    | ELX-F-46128-1   |       |                        |              |
| TOLERANCES UNLESS OTHERWISE SPECIFIED |                     | chr  | -              | -            |                |                 | rel level | Released        |       |                        |              |
| surface                               | linear              | appr | Lamy, Alexandr | 2022/10/13   | product family | -               | dwg no    | 8655DMxxIBI3KLF |       | rev                    | C            |
| ISO 1302                              | angular             | 0°   | ±2°            | Amphenol FCI | title          | DSUB METAL HOOD |           | cat. no.        | -     | Product - Customer Drw | sheet 2 of 4 |

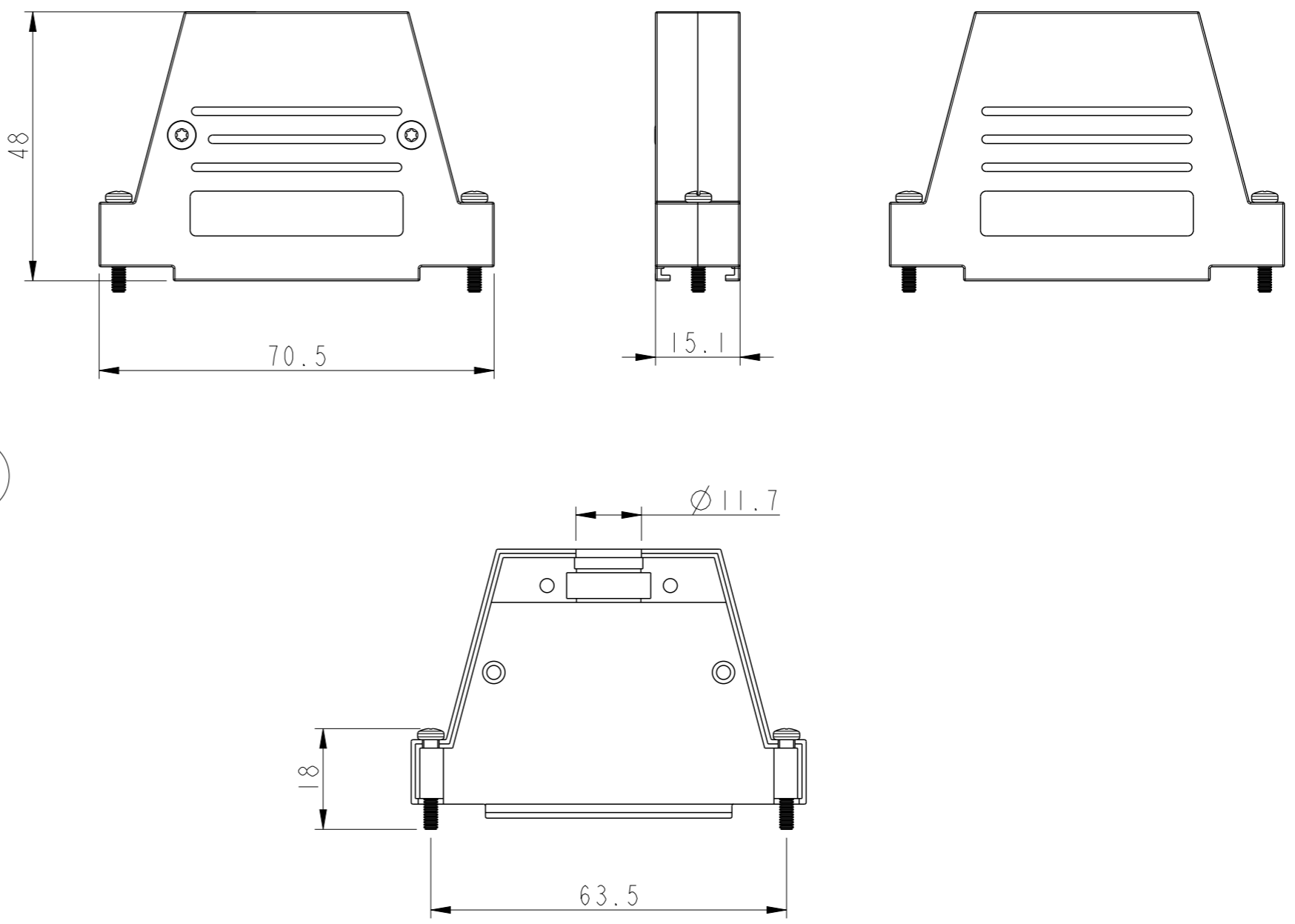
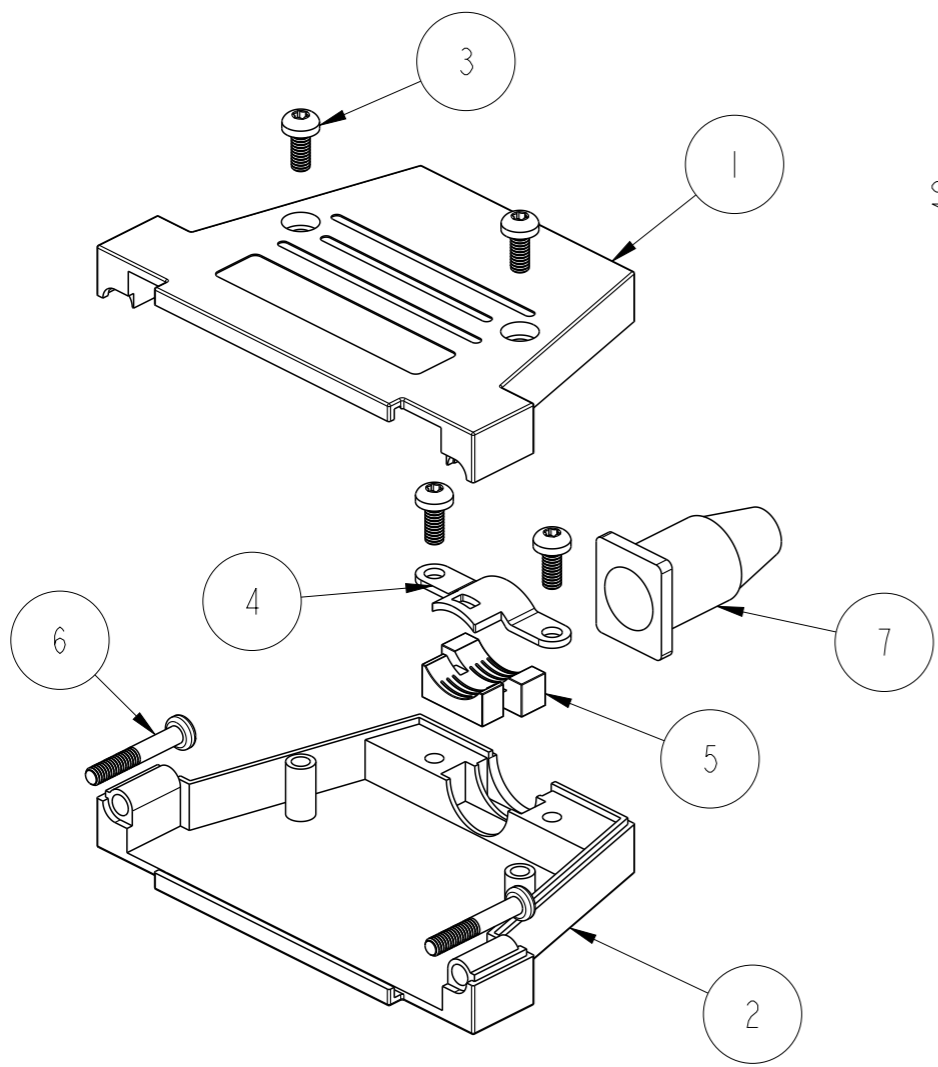
|                 |      |           |
|-----------------|------|-----------|
| PART NUMBER     | PACK | HOOD SIZE |
| 8655DMBT1B13KLF | KIT  | 25        |



| ITEM NO. | QTY. | PART DESCRIPTION          |
|----------|------|---------------------------|
| 1        | 1    | DTSL25-UPPER COVER        |
| 2        | 1    | DTSL25-LOWER COVER        |
| 3        | 4    | M2.6x8 SCREW              |
| 4        | 1    | CABLE CLAMP               |
| 5        | 1    | RUBBER GROMMET            |
| 6        | 1    | PLASTIC INSERT DTSL 15/37 |
| 7        | 2    | UNC4-40x18 JACKSCREW      |

|                                       |                     |      |                |            |                        |              |           |               |           |                 |
|---------------------------------------|---------------------|------|----------------|------------|------------------------|--------------|-----------|---------------|-----------|-----------------|
| spec ref                              | -                   | dr   | Dipu Joseph    | 2020/09/11 | projection             | mm           | size      | A3            | scale     | 1:1             |
| tolerance std                         | ISO 406<br>ISO 1101 | eng  | Detouillon, Da | 2022/10/12 |                        |              | ecn no    | ELX-F-46128-1 | rel level | Released        |
| TOLERANCES UNLESS OTHERWISE SPECIFIED |                     | chr  | -              | -          |                        |              |           |               |           |                 |
| surface                               | ISO 1302            | appr | Lamy, Alexandr | 2022/10/13 | product family         | -            | rel level | Released      | dwg no    | 8655DMxx1B13KLF |
|                                       | linear              | 0.X  | ±0.3           |            | DSUB METAL HOOD        |              | rev       | C             | cat. no.  | -               |
|                                       |                     | 0.XX | ±0.10          |            | Product - Customer Drw | sheet 3 of 4 |           |               |           |                 |
|                                       | angular             | 0°   | ±2°            |            |                        |              |           |               |           |                 |

|                 |      |           |
|-----------------|------|-----------|
| PART NUMBER     | PACK | HOOD SIZE |
| 8655DMCTIBI3KLF | KIT  | 37        |



| ITEM NO. | QTY. | PART DESCRIPTION                               |
|----------|------|--|
| 1        | 1    | DTSL37-UPPER COVER                             |
| 2        | 1    | DTSL37-LOWER COVER                             |
| 3        | 4    | M2.6x8 SCREW                                   |
| 4        | 1    | CABLE CLAMP                                    |
| 5        | 1    | PLASTIC INSERT DTSL 15-37 TOP & SIDE METALISED |
| 6        | 2    | UNC4-40x18 JACKSCREW                           |
| 7        | 1    | RUBBER GROMMET                                 |

|                                       |                     |          |                |                        |                |                           |                 |               |       |     |
|---------------------------------------|---------------------|----------|----------------|------------------------|----------------|---------------------------|-----------------|---------------|-------|-----|
| spec ref                              | -                   | dr       | Dipu Joseph    | 2020/09/11             | projection     | mm                        | size            | A3            | scale | 1:1 |
| tolerance std                         | ISO 406<br>ISO 1101 | eng      | Detouillon, Da | 2022/10/12             |                |                           | ecn no          | ELX-F-46128-1 |       |     |
| TOLERANCES UNLESS OTHERWISE SPECIFIED |                     | chr      | -              | -                      |                |                           | rel level       | Released      |       |     |
| surface                               | linear              | appr     | Lamy, Alexandr | 2022/10/13             | product family | -                         | rel level       | Released      |       |     |
| ISO 1302                              | angular             |          |                | <b>DSUB METAL HOOD</b> |                | dwg no<br>8655DMxxIBI3KLF | rev<br><b>C</b> |               |       |     |
|                                       |                     | cat. no. | -              | Product - Customer Drw |                | sheet 4 of 4              |                 |               |       |     |

Creo File:ELX-WC-A3C.REV F.2020-12-21

Amphenol FCI

© 2020 Amphenol Corporation