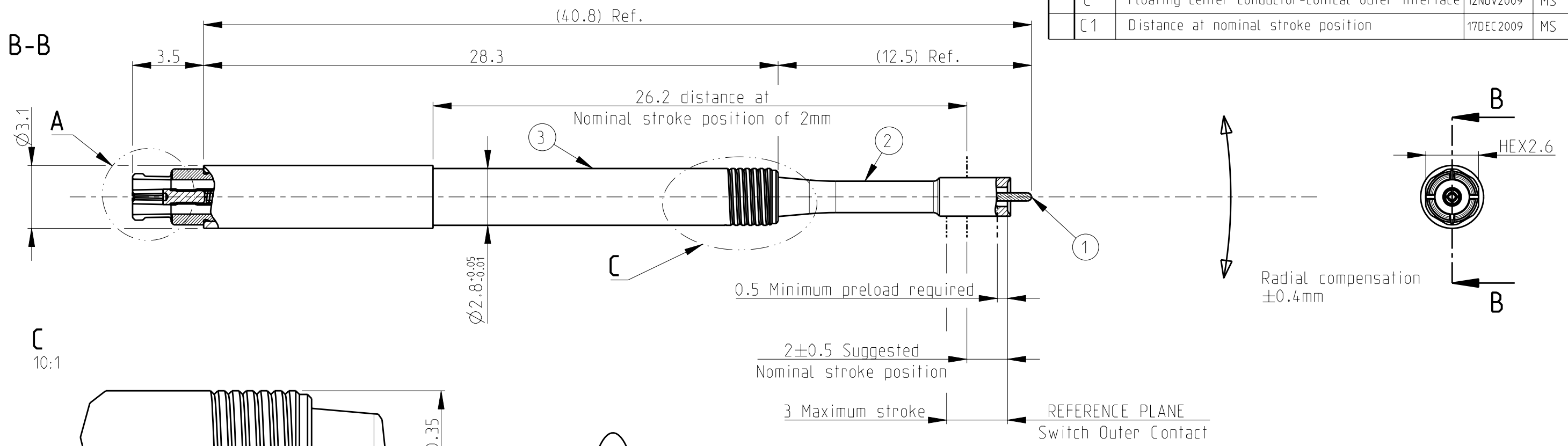


THIS DRAWING IS UNPUBLISHED. RELEASED FOR PUBLICATION 2008
 © COPYRIGHT 2008 BY TYCO ELECTRONICS CORPORATION. ALL RIGHTS RESERVED.

LOC	DIST	REVISIONS			
P	LTR	DESCRIPTION	DATE	DWN	APVD
IS	-	A2	Nominal stroke position changed	20APR2009	MS DB
		B	New springs and RF performance improvement	22SEP2009	MS DB
		C	Floating center conductor-conical outer interface	12NOV2009	MS DB
		C1	Distance at nominal stroke position	17DEC2009	MS MG



Radial compensation
±0.4mm

COUPLING TORQUE:
0.3N/m MAX

619361-1	5	1	CENTER CONTACT	BeCu	Au over NiP
	4	1	OUTER CONTACT	BeCu	Au over NiP
	3	1	OUTER SHELL	BRASS	Au over NiP
	2	1	FLOATING SHELL	BRASS	Au over NiP
	1	1	CENTER CONTACT PIN	BeCu	Au over NiP
TE P/N	ITEM NO.	PIECES	DESCRIPTION	MATERIAL	PLATING

<small>THIS DRAWING IS A CONTROLLED DOCUMENT FOR TYCO ELECTRONICS CORPORATION. IT IS SUBJECT TO CHANGE AND THE CONTROLLING ENGINEERING ORGANIZATION SHOULD BE CONTACTED FOR THE LATEST REVISION.</small>		DWN M.Scheggia 29APR2008 CHK D.Bozzer 29APR2008 APVD -	Tyco Electronics Tyco Electronics Lugano - Switzerland
DIMENSIONS: mm	TOLERANCES UNLESS OTHERWISE SPECIFIED: 0 PLC ±- 1 PLC ±- 2 PLC ±- 3 PLC ±- 4 PLC ±- ANGLES ±2°	PRODUCT SPEC 108-71086 APPLICATION SPEC - WEIGHT -	NAME Mass Production Test probe Pico switch
MATERIAL See table	FINISH See table	CUSTOMER DRAWING	SIZE A3 CAGE CODE 00779 DRAWING NO. C=619361 RESTRICTED TO -
		SCALE 5:1	SHEET 1 OF 1 REV C1

- 1 SNAP FIT CONNECTORS SMPM: Interface according to MIL-STD-348.
- 2) PROBE IMPEDANCE: 50Ω ± 5%
- 3 General Tolerances ISO 2768-mK